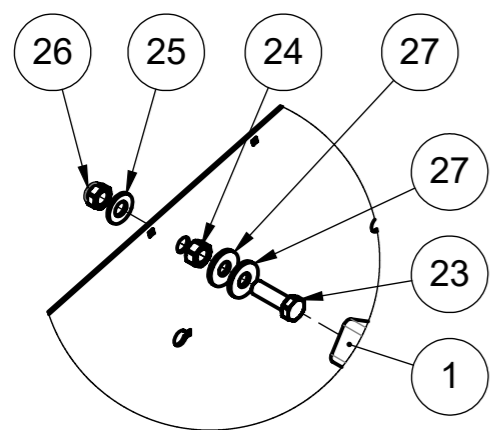
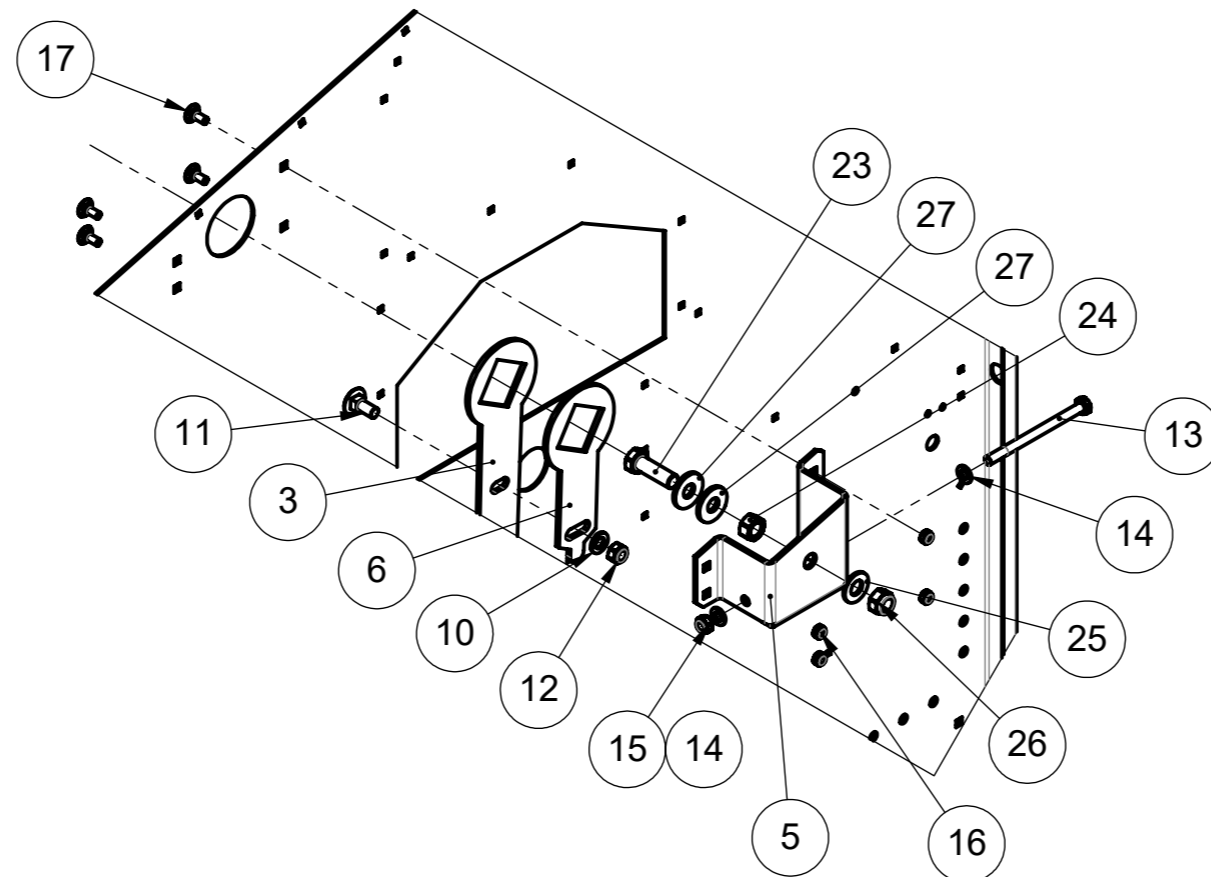


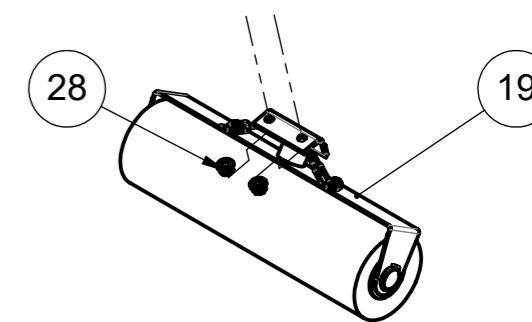
Step 2



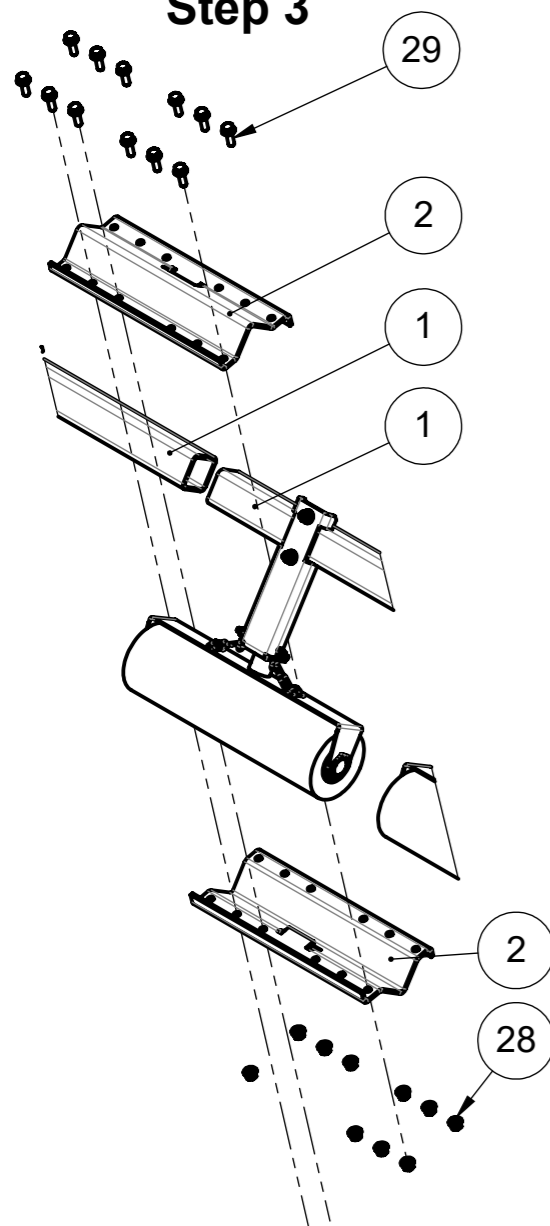
Step 4



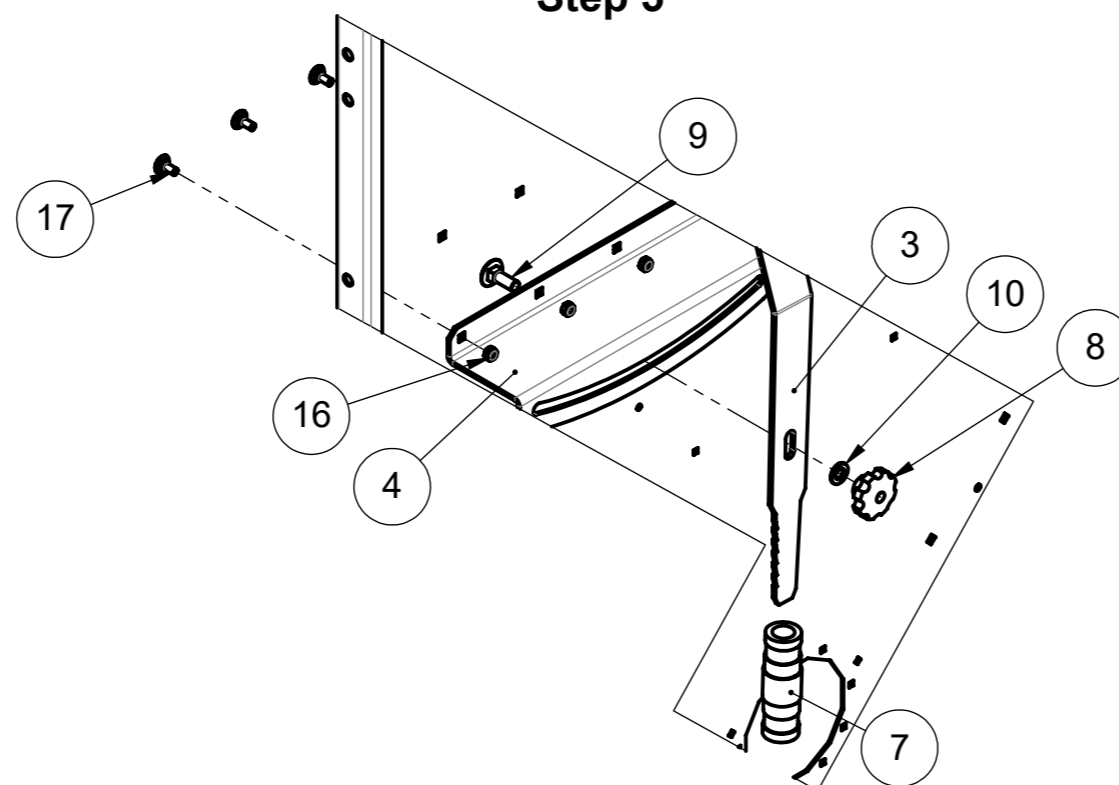
Step 6



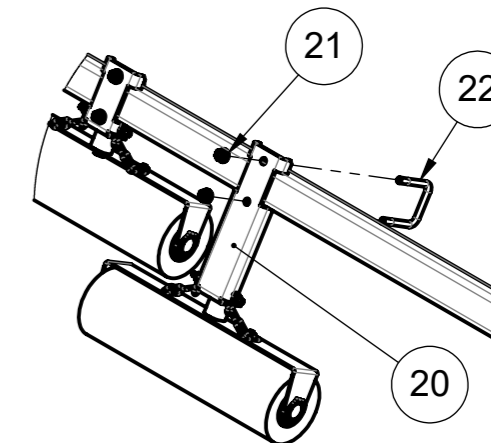
Step 3



Step 5



Step 7



Pos.	Pcs.	Part no.	Description
1	2	131082120	Pipe for cleaning brushes
2	2	131082124	Assembly bracket for pipe
3	1	131082126	Handle arm
4	1	131082127	Locking bracket
5	1	131082128	Suspension bracket
6	1	131082129	Reinforcement bracket
7	1	100414016	Rubber handle
8	1	100414063	Star handle M12
9	1	100311035	Carriage bolt M12 x 35mm DIN 603, elgalvanized
10	2	100331007	Washer M12 DIN 125 A
11	1	100311038	Carriage bolt M12 x 30mm DIN 603, elgalvanized
12	1	100316005	Lock nut M12 DIN 985-6
13	1	100306148	Screw M10 x 140mm DIN 931, elgalvanized
14	2	100331006	Washer M10 DIN 125 A
15	1	100316004	Lock nut M10 DIN 985-6
16	7	100316003	Self locking nut M8 DIN 985-6, elgalvanized
17	7	100311040	Carriage bolt M8x20 DIN 603
18	2	131082764	Cleaning brush assembly with short arm
19	1	131082768	Cleaning brush assembly, Center
20	6	131082765	Cleaning brush assembly long
21	2	100316108	Flangenut with threadlock M8 DIN 6927 Elgv.
22	1	131082123	U-bolt M8x66 C=59
23	2	100306057	Set screw M16x50 DIN 933
24	2	100315020	Nut M16 DIN 934
25	2	100331012	Washer M16, elgalvanized
26	2	100316006	Lock nut M16 DIN 985-6
27	4	131082125	Washer Ø41 / Ø16,5 x 4mm
28	12	100316108	Flangenut with threadlock M8 DIN 6927 Elgv.
29	12	100323381	Flange set screw M8x25 DIN 6921