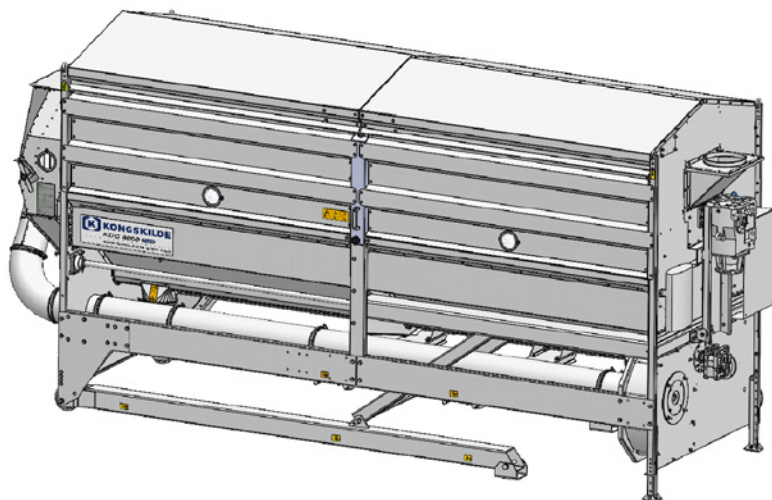
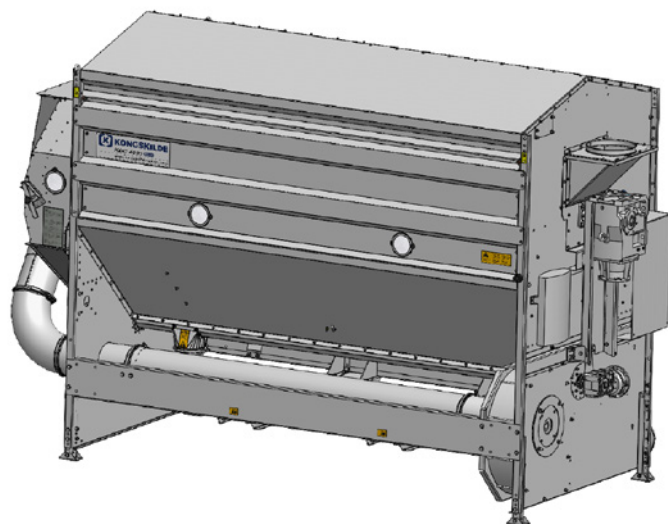


KDC 4000 & 8000 PLUS 60Hz

Dual cleaner



Manual
Manuel de service

GB

This operators manual applies to the Kongskilde Dual Cleaner type KDC.

Description:

Kongskilde Dual Cleaner is a combined screen- and aspiration cleaner, designed for separation of grain and impurities. The cleaner is primarily designed to be used for pre cleaning of wheat, barley, rye, oats, canola, maize, peas, soybeans and sunflower. Furthermore, the cleaner can be used for sorting of malting barley and seed.

The rotating screens are driven by an electrical gear motor, and the cleaned crop can be conveyed by the aspirator to a transport system. The impurities are blown away together with the aspirator air, and should be separated through a cyclone and collected.

The cleaner can be equipped with screens containing different hole sizes, depending on the nature of the crop.

Capacity varies depending on the crop to be processed, in easy floating crop the capacity is up to 40 tonnes per hour (KDC4000) / 80 tonnes per hour (KDC8000), depending on the requirements towards purity of the crop.

The cleaner should be fed continuously.

Warning notes:

Take care that all guards are in correct position and fixed during operation.

Never operate the cleaner without the side doors covering the drum is closed - there is great risk of injury if a hand grabs the rotating drum! The cleaner is equipped with magnetic switches on both side doors, which switch off all motors if the side doors are opened during operation.

Always stop the cleaner when changing the screen as well for repair and maintenance, and make sure that it cannot be started by mistake. This is done by locking the switch on the cleaner's control cabinet, or by mounting a safety switch connected to the cleaner.

Keep the cleaner around so there is no risk for fall accidents.

Provide adequate lighting conditions for safe operation of the cleaner.

When changing the screen, only turn the screen drum manually, never attempt to turn the drum by use of the gear motor.

Wear gloves when replacing the screens - there can be sharp edges on the screens. As well, use gloves if samples are taken through the opening in the cleaners

gable, as there could be sharp edges of the hole.

Be careful when closing the side doors - there is risk of squeezing between door and side panels.

Also beware of head injuries when the doors are closed, there may be sharp edges.

Never insert your hand into the outlet of the auger, located at the bottom of the cleaner, the auger can cause severe injury.

The outlet must never be left open when the cleaner is in operation. Connect the outlet to a container or a min. 850 mm long OK200 tubing to prevent access to rotating parts.

To avoid any unintentional contact with rotating parts, pipes of minimum 800 mm length, with a diameter of maximum \varnothing 200 mm must be installed onto the inlet and outlet connections.

These pipes must be installed with bolt clamps, where tools are necessary for dismantling.

In case it is not possible to use minimum 800 mm tubes, it must be insured that there within minimum 800 mm from the cleaner are used bolt clamps, where tools are necessary for dismantling.

The reason for this is, that according to EU-directive 2006/42/EC (Machinery Directive), it is not allowed for any unauthorized personnel to gain access to rotating parts. In case quick couplings are used, unauthorized personnel could dismantle the tubing, and have access to potentially dangerous /rotating parts.

Never insert your hand into the aspirator blower's intake or outlet while the blower is in operation.

Beware of eye damage - wear goggles in the proximity of the blowers outlet.

All electrical installations must be carried out in accordance with current regulations.

If abnormal vibrations or noise is detected, the cleaner should be stopped immediately and the cause examined. If in doubt, call expert assistance for any repair and maintenance.

Make sure the cleaner is installed on a stable, horizontal and solid surface to prevent collapse and tipping over.

If the cleaner is to be moved, it must either be lifted in the four lifting points in the corners of the cleaner (marked with chain symbol) or a forklift must be used. It should always lift at the specified points under the rails on the cleaner's beams. The forks should be so long that they lift on both sides of cleaner. If the cleaner is dropped, there is a great danger of personal injury!

Wear ear protection if working at the cleaner for extended periods of time, as there is a risk of hearing damage.

Warning signs:

Avoid accidents by always following the safety instructions given in the manual and on the warning signs placed on the cleaner.

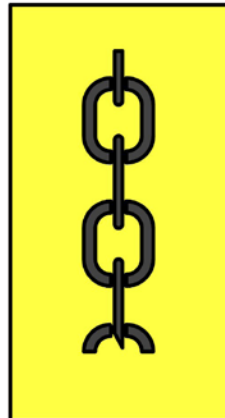
Safety signs without text are used on the machine. The signs are explained below.



Read carefully the manual before using the cleaner, and observe the warning signs on the cleaner.



Do not place the forks here



Location of lifting points



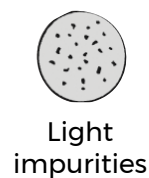
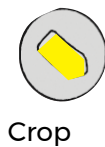
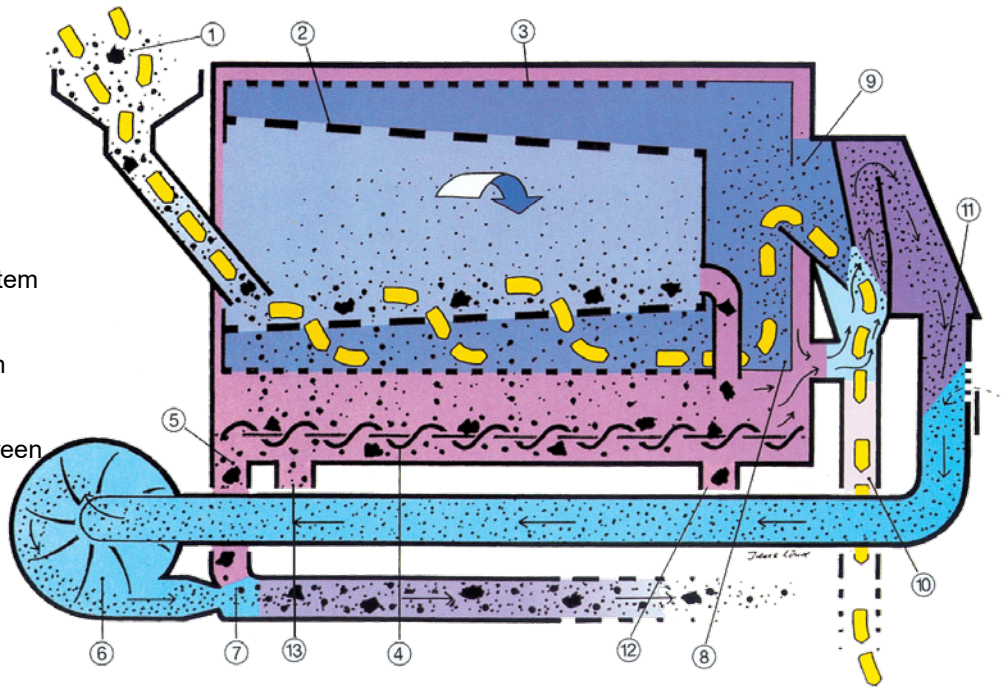
Never put the hand in the outlet of the trough auger, while the cleaner is in operation.



Location of lifting points for forklift

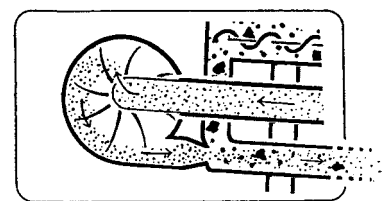
Principle of operation:

- ① Intake
- ② Inner screen
- ③ Outer screen
- ④ Auger
- ⑤ Outlet from screen
- ⑥ Blower
- ⑦ Injektor
- ⑧ Scoop elevating system
- ⑨ Aspiration chamber
- ⑩ Outlet for clean grain
- ⑪ Air bleed
- ⑫ Outlet from inner screen
- ⑬ Outlet for small grains, used for e.g. malting barley

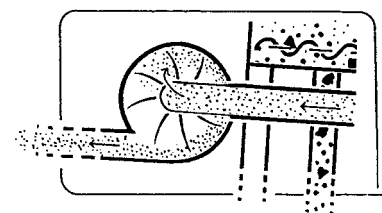


Function description

1. Inlet of uncleaned crop
2. The inner screen separates large impurities from the crop
3. The outer screen separates small impurities and kernels from the crop
4. The impurities from both screens are collected in the bottom through, where the auger will convey the impurities towards the inlet end
5. The impurities are guided into the injector on the blower tubing (if both shutters are closed)
6. The blower sucks air and light impurities from the aspiration chamber
7. Waste can be conveyed for discharge at a desired place
8. The pump impellers lift the crop into the aspiration chamber
9. In the aspiration chamber, light impurities and dust are removed from the crop
10. OK200 outlet with clean crop
11. Valve for air regulation for suction power in the aspiration chamber
12. Outlet for large impurities from the inner screen
13. Outlet for small kernels and impurities from the outer screen can be collected via this outlet



Impurities from the screens and aspirator are collected in the blower tubing



Impurities from the screens and aspirator are kept apart

The capacity of the cleaner depends of settings and screen selection:

- If the cleaner's inclination is increased, the crop flows faster over the screens. Capacity is increased and purity is reduced.

- Internal screens with small holes increases the cleaning efficiency and reduces the capacity.

Installation:

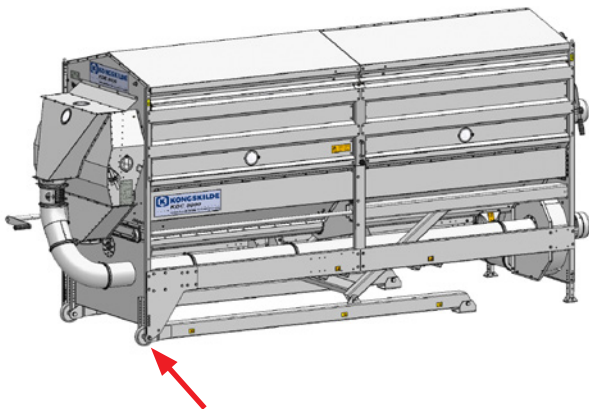
The cleaner must be installed on a firm, level and horizontal surface. During installation, pay attention to the following:

- the side doors of the cleaner bind
- the thumbscrew in the side doors cannot be screwed in
- the magnetic contacts on the side doors do not work properly

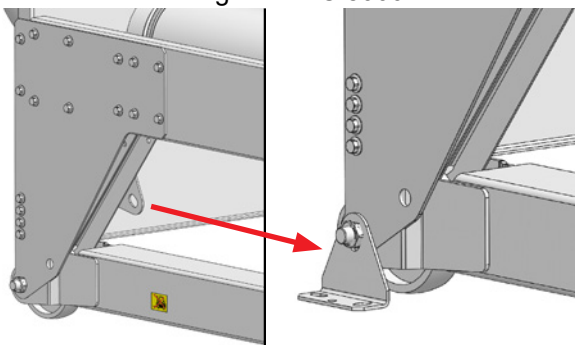
If one or more of the above problems occur, the cleaner should be leveled by support under the legs or under the lifting arrangement. See sections "Operation" and "Troubleshooting".

If the cleaner is mounted on a platform or similar, it is important that the cleaner is secured against falling down. It is therefore advised to bolt it to the floor, by means of the two supplied floor brackets.

The floor brackets are attached to the angled brace at delivery of the cleaner. They can be removed for attachment onto the transport wheels' axle. Hereafter the floor bracket can be bolted onto the floor.



Brackets for fastening the KDC 8000 to the floor



The brackets are attached onto the wheels' axles

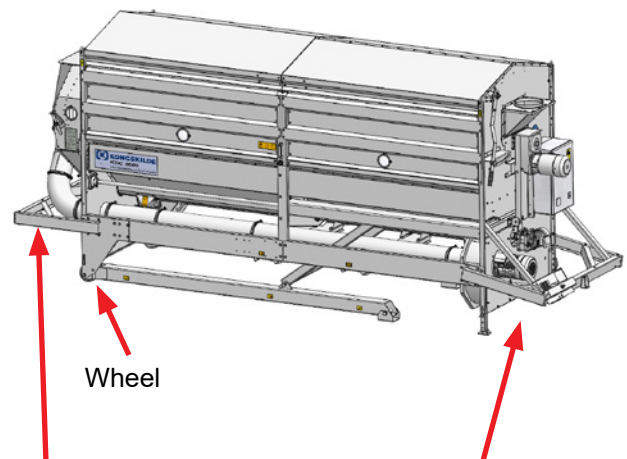
Height adjustment above floor (related to connection to discharge pipe on auger)

The cleaner should be horizontal before adjusting the inclination of the drum (see section "Inclination"). If adjustment is needed, the cleaner can be lifted and the bolts / legs moved, so that horizontal adjustment is achieved.

Transport of the cleaner

The cleaner is equipped with transport brackets at delivery, for the purpose of maneuvering during loading and unloading, and to protect the cleaner during transportation. The transport brackets will also be used for transportation on level surfaces.

The cleaner is having small wheels in the back end for transportation in the length direction. This can be useful when loading the unit into or out of a container.



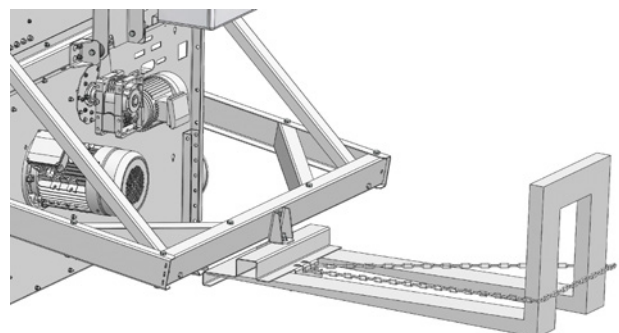
Wheel

Transport bracket back end, for protection during transportation

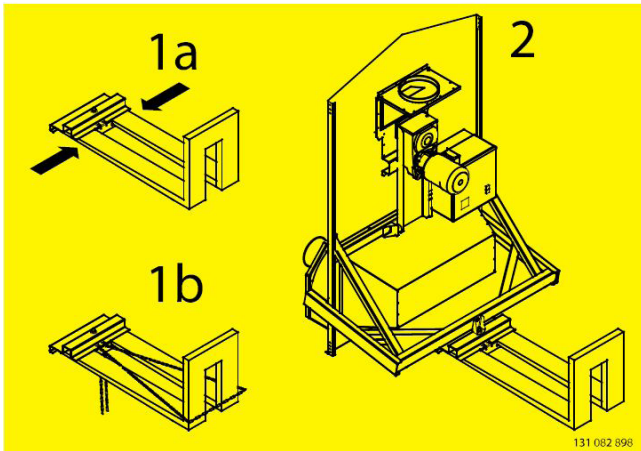
Transport and protection bracket in the front end. This cross bar is used to lift the front end of the cleaner for example with a fork lift

On KDC8000 front transport bracket, a fork bracket is attached. On forklifts having hydraulics to move the forks sideways, the bracket is put on the end of the forks, and the forks are pushed together to hold the bracket. The hydraulics is normally strong enough to hold the bracket during transportation of the cleaner forward and backwards.

If the fork lift is not having hydraulics to operate the forks, the enclosed chain is used to hold the bracket in such a way that it is not pulled off the forks when moving backwards.

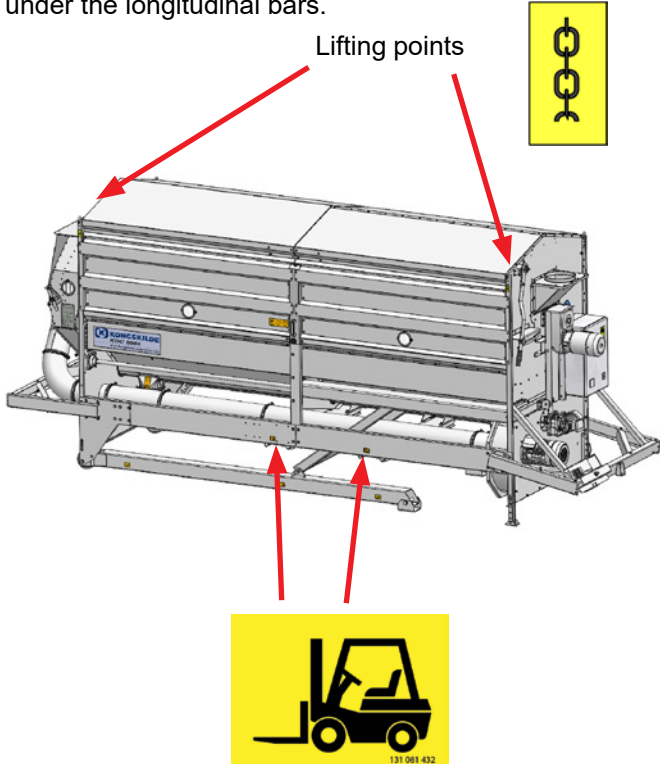


This transfer is located on the fork bracket:

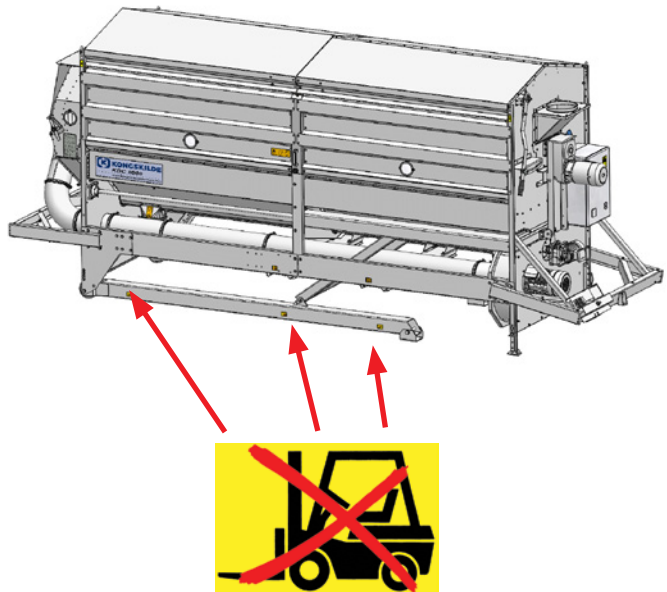


Do not attempt to move the cleaner by dragging it across a floor, there is risk of bending the cleaner's legs. Instead, lift the cleaner in the four lifting points or with a forklift under the cleaner.
 NB - Provide adequate clearance when transporting the cleaner.

The cleaner can be moved by lifting it in the 4 lifting points located at the top of the corners, or by forklift under the longitudinal bars.



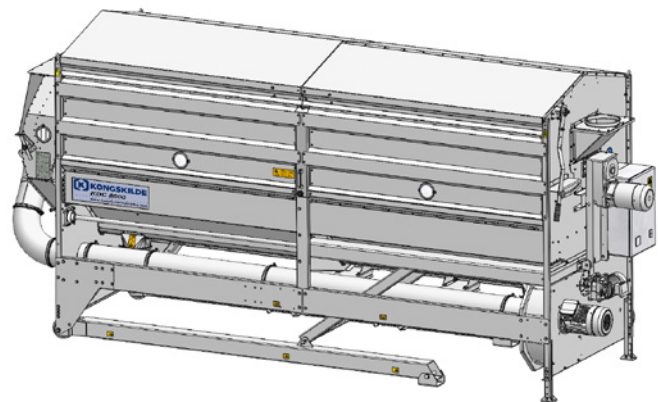
Rails for lifting the cleaner by forklift - are shown with this symbol.



Never lift the cleaner with a forklift under the beams of the lifting arrangement - is shown by this symbol.

When placing the KDC8000 on e.g. a platform where the cleaner rests on the wheels and feet of the lifting arrangement, the cleaner must not be placed in a lower inclination than the horizontal, as there is otherwise substantial risk of deforming the lifting arrangement!

When the cleaner is installed in the final set up, the transport brackets can be removed.



The cleaner without transport brackets.

Location

The cleaner can advantageously be installed, so that the crop is cleaned both when it is being put on stock, and when it is taken out of stock again.

The capacity is generally dependent on the requirement for purity, as less load of the screens, provides better opportunities for the removal of impurities.

The transport system must therefore be designed so that it is possible to regulate the supply of material to the cleaner.

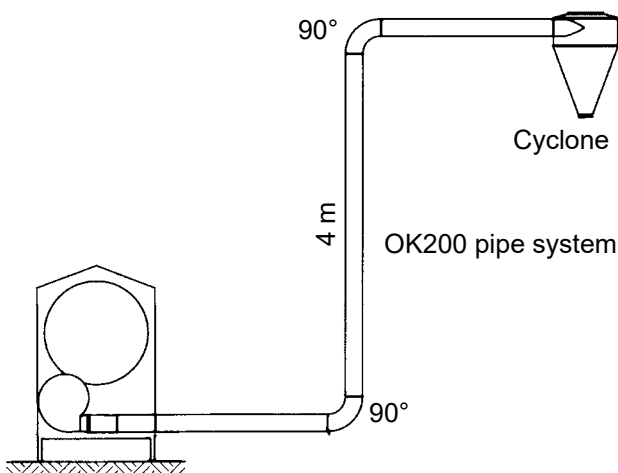
Make sure there is clearance next to the cleaner, to make the necessary adjustments and service.

Also, remember that there must be room for replacing the screens. It is easiest to replace the screens at the right side of the cleaner (seen from the inlet end). The screens are easily replaced if there are approx. 1,5 m clearance beside the cleaner.

Pipeline for blower

The blower pipeline should be of the Kongskilde OK200 dimension. It is recommended to use as few bends as possible and a cyclone at the end of the pipeline.

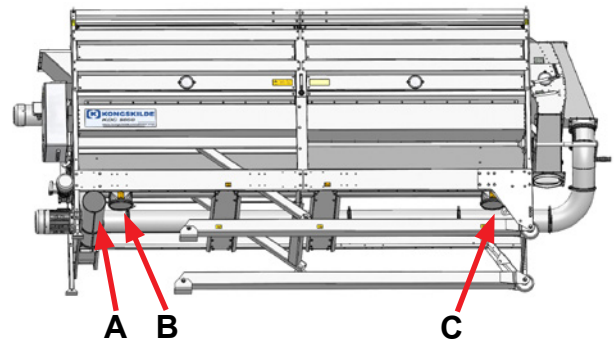
At a commonly occurring content of impurities in the crop, the blower is powerful enough to blow the screenings approx. 20 m (including 4 meters vertical length, two bends and one cyclone).



If too much blower power is applied to conveying, this will reduce the air flow and, accordingly, the cleaning efficiency of the aspiration cleaner. If additional conveying length is required, an extra blower may be inserted.

Separation of screenings

The screenings may either be discharged through a separate gravity outlet or delivered into the trash blow line (A) and discharged together with the light impurities.



Impurities separated by screens and aspirator discharged into the trash blow line

Mount the enclosed covering plate in the outlet (B) and (C) of the trough auger.

Impurities separated by screens and aspirator discharged separately

Remove the covering plate from the outlet (B) of the trough auger. If desired, a shutter may be fitted instead of the covering plate.

Oversized impurities separated by inner screens can also be discharged separately.

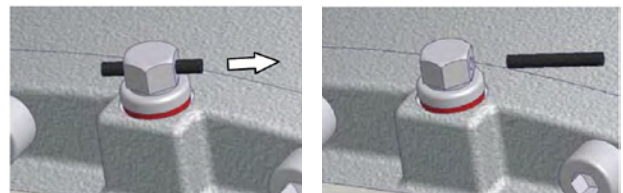
Oversized impurities separated by inner screens discharged separately

Remove the covering plate from the outlet (C) of the trough auger. If desired a shutter may be fitted instead of the covering plate.

Be aware of the danger of touching the rotating auger, see section "Warning notes" and the warning sign on the bottom trough.

Drum gear motor

In order to avoid oil spills during transport, the gear vent is closed with a blunt rubber cord. This sealing cord must be removed before using the cleaner.



Safety switch installation (on versions without control box)

Mount the magnetic switches to the safety relay according to this diagram found in the back of this manual. Every motor contactor should be switchable by DC current and powered by the 24VDC safe circuit.

All local regulatory rules must be followed. The installer has full responsibility to make sure the local regulatory rules are followed.

To make sure the safety switches work with the KDC control panel, follow this procedure step by step:

- Ensure the cleaner is installed correctly and the magnetic safety switch system on the side doors is connected correctly according the electrical diagram.
- Close both side doors and start the cleaner.
- To test the safety system, now start opening the side doors by unscrewing the thumb screw. When unscrewing, the safety relay should break the circuit and thus stop the motors.
- It should take approximately 15 seconds to open the side doors.
- When the side doors have opened, the drum should have stopped rotating and it should therefore be safe to change the cleaning screens.

Motor installation (on 60Hz versions)

The KDC needs motors to be installed before it can operate. Each motor must be installed with a DC motor contactor wired up to the safety circuit in the control panel. This is to ensure the safety in operating the machine.

The KDC 4000 uses:

- Auger KDC 4000 - 0,75 kW motor with N56C flange
- Drum KDC 4000 - 1,5 kW motor with N140TC flange
- Blower KDC 4000 - 4 kW motor with FF215 flange

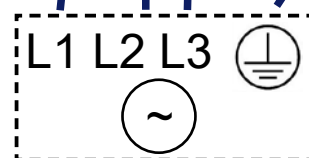
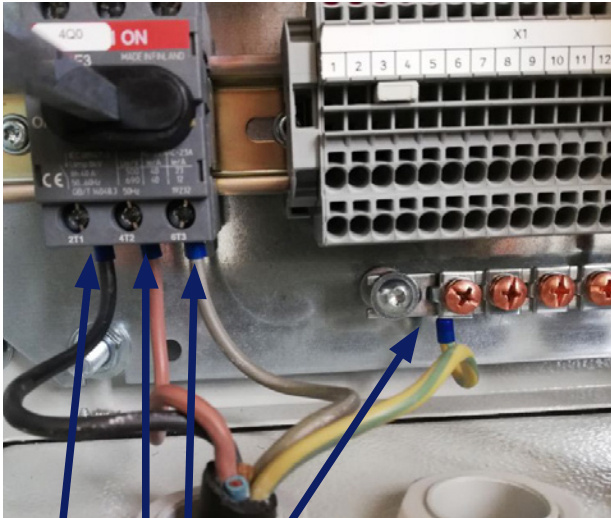
The KDC 8000 uses:

- Drum KDC 8000 - 2,2 kW motor with N140TC flange
- Auger KDC 8000 - 1,1 kW motor with N143T flange
- Blower KDC 8000 - 4 kW motor with FF215 flange

Ensure that the magnetic safety switch system is inspected and maintained regularly according to the users manual for the cleaner.

Electrical installation:

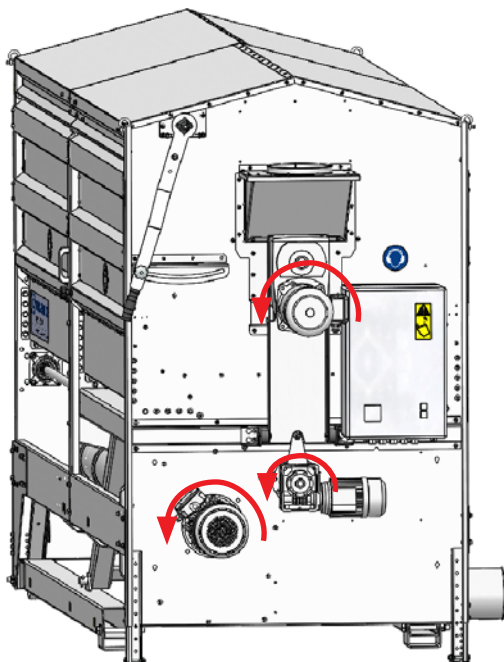
The supply cable is guided through the cable gland in the control cabinet and connected as shown. Always use ferrules on the cable ends and tighten the screws securely.



Electrical diagram for the cleaner can be found in the control cabinet.

Direction of rotation

The electrical connection must be made, so that the direction of rotation of the drum, blower and auger in the bottom trough is counterclockwise (seen from the inlet end of the cleaner).



Capacity:

Maximum capacity of the cleaner for pre-cleaning of grain is:

- approx. 40 tons/hour for KDC4000
- approx. 80 tons/hour for KDC8000

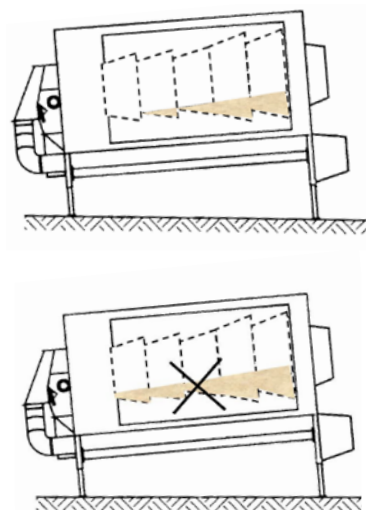
Generally, the capacity will depend on the required cleaning efficiency - the smaller the load of the screens, the better the separation of impurities.

The conveying system should therefore be designed to allow adjustment of the material supply to the cleaner, to obtain the desired cleaning efficiency.

General advice concerning capacity and selection of screens:

The inner screen separates the large impurities from the crop. The main flow of crop has to pass through the inner screen. Selecting screen with small hole size compared to the kernel size gives the most efficient cleaning, but reduces capacity. Selecting screen with large holes compared to kernel size gives capacity but reduce cleaning efficiency. If too much crop is feed into the cleaner, good kernels will be discharged together with the impurities.

To reach max. capacity, it is then necessary to use screens with large enough holes to allow the kernels to pass through fast enough. On the outer screen small impurities and small kernels are separated from the crop. For pre cleaning, there is no limitation in capacity in relation to screen selection. For size separation of kernels on the outer screen approx. 10 – 20% of the capacity rated for pre cleaning can be obtained.



The best cleaning result is achieved with dry crops.

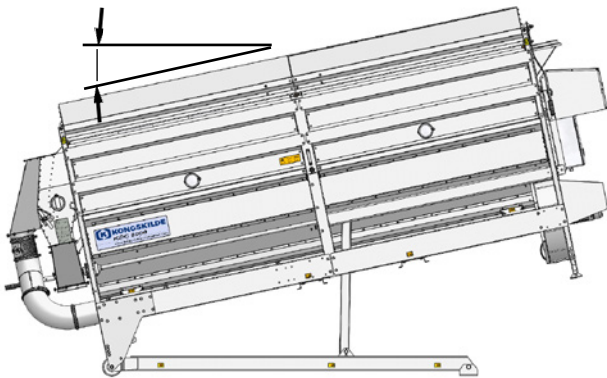
Inclination of the cleaner:

In case the cleaner should be used for pre cleaning, it is advised to adjust the inclination to:

- approx. 6° on KDC4000
- approx. 9° on KDC8000

The inclination has an influence on the flow rate and the layer thickness on the screens, and thus also on the cleaning performance.

At an inclination of approx. 4° the inner screen is horizontal at the bottom. The inclination must therefore never be less than 4° as the inner screen should either be horizontal or incline towards the outlet end.



Normally, there is no need to set the cleaner with an inclination greater than:

- approx. 7° on the KDC4000
- approx. 12° on the KDC8000

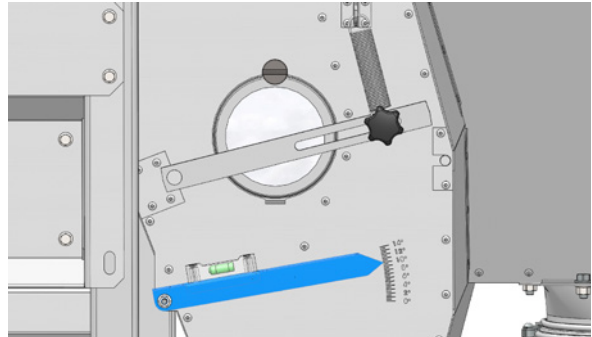
When installing, it is therefore important to take into account, that the inclination of the machine can be adjusted. In particular, it must be taken into account that the inlet and outlet connections can be adjusted to changes in inclination.

Mount for example a flexible steel hose on the inlet and blower outlet (Kongskilde order number 122 050 156) - see also section "Accessories".

For high-capacity pre-cleaning, it is usually necessary to adjust the inclination angle from:

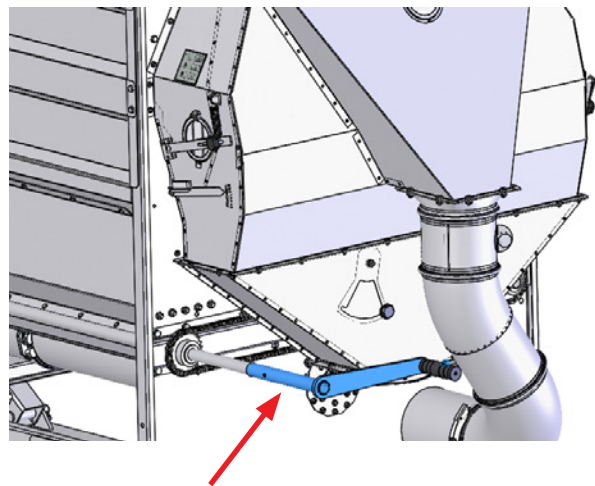
- approx 4,5° - 7° on KDC4000
- approx. 8° - 12° on KDC8000

Use the protractor on the side of the cleaner to adjust the inclination.



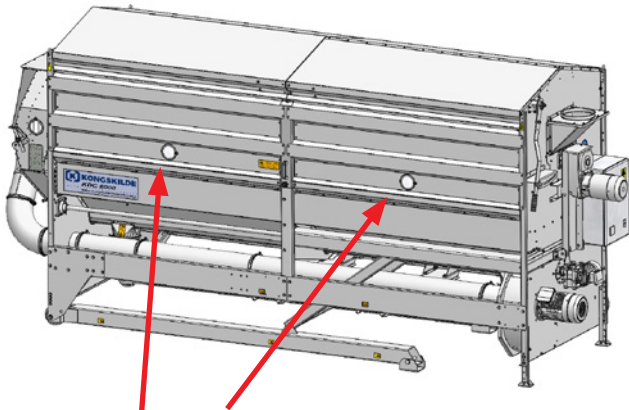
Set the arrow to the desired number of degrees. Now raise the inlet end of the cleaner, until the spirit level indicates that the arrow is horizontal, by:

- *KDC4000 without lifting arrangement* - lift the cleaner, adjust the height of the legs, and lower the cleaner so that it rests on the legs
- *KDC4000 with lifting arrangement and KDC8000 with lifting arrangement* - turn the crank at the end of the cleaner.



Crank for adjustment of inclination

The filling of the screens can be checked through the inspection windows in the side doors. It is recommended to place a powerful lamp next to the inspection window on the opposite side of the cleaner, to facilitate control through the window.



Inspection windows

The effect of the inclination may be illustrated by the following general information

Inner screens

The inner screen arrests large impurities. At increased inclination, it is easier to separate the large impurities as they move more quickly across the screen to the outlet, at the end of the screen drum. The large impurities will have less time to be rotated or broken and, accordingly, pass through the screen. This, however, also allows the crop less time to pass through the screen before reaching the outlet at the end of the screen drum - and being mixed with the impurities.

Outer screens

The small impurities are separated on the outer screen. The outer screen is also used to separate the small kernels at sorting by kernel size, such as malt barley and mixed crops of different kernel sizes.

The cleaning efficiency depends on the capacity - at higher capacity, a lower cleaning effect is expected, as the small impurities will have less time to pass through the outer screen before the crop is lifted into the aspiration cleaner.

Screen program:

To obtain optimal efficiency, it is important to use screens of correct slot/hole dimensions.

A range of screen sizes suitable for ordinary crops is available.

If more crop is filled into the cleaner, than the inner screen can handle, the kernels that do not fall through, will come out together with the large impurities.

Screens for inner drum

On the inner drum, the crop is to pass through the screen and the large impurities be arrested.

Screens with a small hole diameter will therefore ensure optimum separation of large impurities; at the same time, however, the capacity will be reduced. A large hole diameter, on the other hand, will result in a high capacity and reduced separation of large impurities.

On KDC4000 it is recommended, as standard, to use

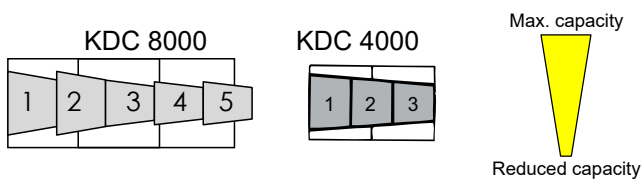
the same hole diameter on the first two inner sections. However, in the event of low capacities, a better separation will often be obtained by using a smaller hole diameter on the 2nd section. Still, the main part of the crop is to pass through 1st and 2nd sections of the inner screen.

It is important to avoid kernel waste, that most of the kernels have fallen through the inner screens before section 3.

On KDC8000 it is recommended, as standard, to use the same hole diameter on the first two inner sections. On sections 3 - 5 are usually used screens with slightly smaller holes.

However, most of the crop must pass through the inner screen of the 1st to 4th sections.

It is important to avoid kernel waste, that most of the kernels have fallen through the inner screen before section 5.



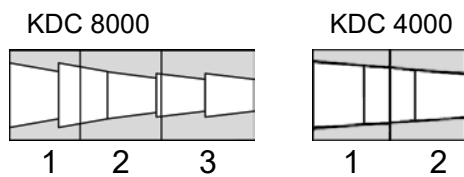
In case of lower capacity operation, screens can be chosen on the inner drum with smaller holes, so that impurities with smaller oversize relative to the kernels are also sorted.

INNER SCREENS									
Screen perforation at each section (mm) KDC 8000 1 - 2 - 3 - 4 - 5 KDC 4000 1 - 2 - 3	Maize (corn)	Wheat	Barley	Oat	Rye	Soya beans	Sun-flower	Peas	Rape seed
Ø17/Ø17/Ø15/Ø15/Ø15 Ø17/Ø17/Ø5									
Ø15/Ø15/Ø13/Ø13/Ø13 Ø15/Ø15/Ø11									
Ø13/Ø13/Ø11/Ø11/Ø11 Ø13/Ø13/Ø11									
Ø11/Ø11/Ø9/Ø9/Ø9 Ø11/Ø11/Ø9									
Ø9/Ø9/Ø7,4/Ø7,4/Ø7,4 Ø9/Ø9/Ø7,4									
Ø8/Ø8/Ø7,4/Ø7,4/Ø7,4 Ø8/Ø7,4/Ø7,4									
Ø7,4/Ø7,4/Ø5,2/Ø5,2/Ø5,2 Ø7,4/Ø7,4/Ø5,2									
Ø7/Ø7/Ø5,2/Ø5,2/Ø5,2 Ø7/Ø5,2/Ø5,2									
Ø6,5/Ø6,5/Ø5,2/Ø5,2/Ø5,2 Ø6,5/Ø5,2/Ø5,2									
#5,2/#5,2/Ø4,3/Ø4,3/Ø4,3 #5,2/#5,2/Ø4,3/Ø4,3									
Ø4,3/Ø4,3/Ø3,5/Ø3,5/Ø3,5 Ø4,3/Ø4,3/Ø3,5									
Ø3,5/Ø3,5/Ø2,75/Ø2,75/Ø2,75 Ø3,5/Ø3,5/Ø2,75									
Oblong holes 5 x 20 (all sections)									
Oblong holes 10 x 30 (all sections)									

Screens for outer drum

On the outer screens, the crop passes across the screen while the small impurities will fall through. Thus it is the slot dimensions of the outer screen that determine the size of the impurities arrested. During sorting, the separation of the crop looks takes place on the outer screen.

In selecting your screen you should also consider the grain size, as a screen with too large slot dimensions will also separate small-sized grains. If an outer screen with oblong holes is used, it is recommended to mount brushes to keep the screens clean. For the grading of malting barley the brushes must always be mounted (see section "Accessories").



Kernel size

- Small
- Mid size
- Large

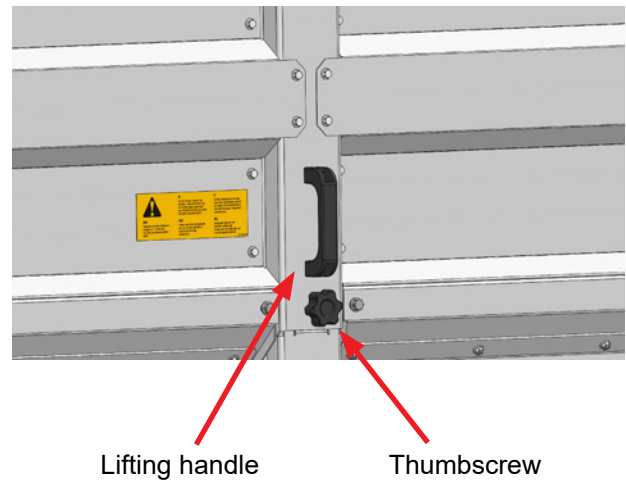
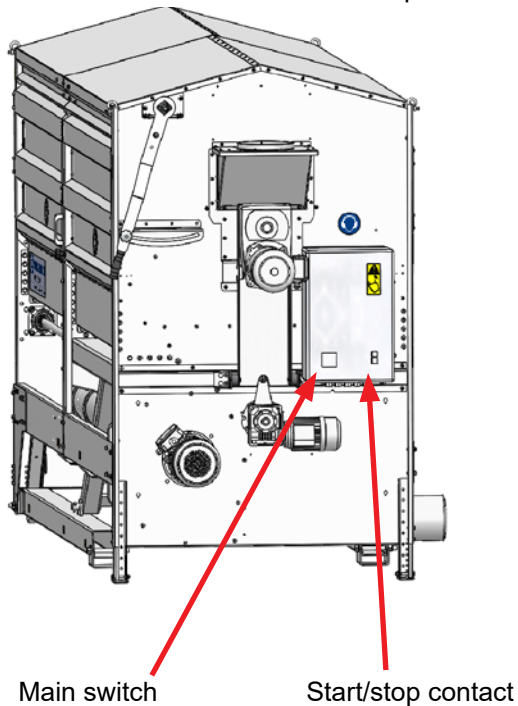
OUTER SCREENS									
Screen perforation (mm)	Maize (corn)	Wheat	Barley	Oat	Rye	Soya beans	Sun-flower	Peas	Rape seed
Oblong holes 1,0 x 16,5				●	●				●
Oblong holes 1,2 x 16,5				●					●
Oblong holes 1,8 x 16,5		●	●				●		
Oblong holes 2,0 x 16,5		●	●				●		
Oblong holes 2,25 x 16,5		●	●				●		
Oblong holes 2,4 x 16,5		●	●						
Oblong holes 2,5 x 16,5			●						
Oblong holes 2,65 x 16,5						●			
Oblong holes 4,0 x 16,5						●		●	
Oblong holes 4,3 x 16,5						●		●	
Oblong holes 4,5 x 16,5						●		●	
Oblong holes 5,0 x 20,0	●								
Square holes 2,75		●	●		●				
Square holes 5,2	●								
Square holes 6,0	●								
Holes Ø2,0		●	●	●	●				
Holes Ø3,5						●		●	
Holes Ø4,5	●					●		●	
Holes Ø7,0	●								
Holes Ø7,4	●								
Holes Ø9,5	●								
No perforation*									

*: Blinds screens are used if you only want to use perforated inner screens, e.g. in connection with the removal of large impurities and the aspiration cleaner function.

Operation:

Start / stop

The cleaner is started and stopped on the main switch located on the control cabinet at the end plate.



Replacement of screens

Always stop the cleaner before opening the side doors. The side doors are provided with magnetic contacts that switch off the cleaner when the side doors are opened, thereby acting as a safety switch. When changing the screen with open side doors, the screen drum can only be turned manually. The drum turns so easily, that it can be rotated by pushing the drum from the side of the cleaner. Always use gloves when replacing screens. The screens may have sharp edges.

Screen selection

To obtain optimal efficiency, it is important to use screens of correct slot hole dimensions (see section "Screen program").

Opening of the cleaner for screen replacement / cleaning

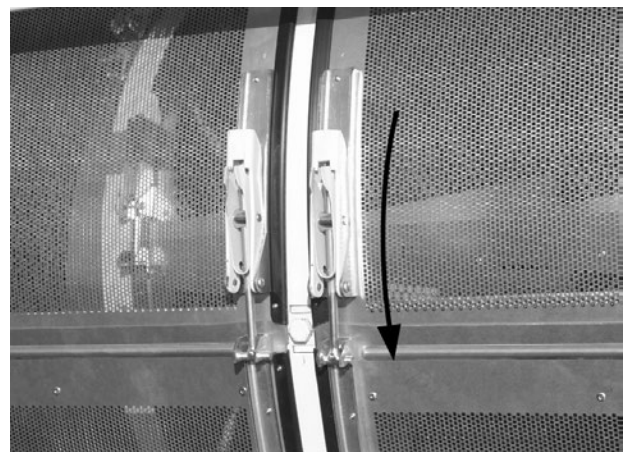
The side door is opened by turning the thumbscrew counterclockwise, whereafter the side door is lifted outwards and upwards with the lifting handle, to horizontal position. The gas dampers will then hold the side door in the open position.

To close the side door, pull down on the door until it is closed and turn the thumbscrew fully clockwise.

If the thumbscrew is turned while the cleaner is in operation, the magnetic switch disconnects all the motors of the cleaner. The cleaner must then be started on the start switch when the side door is closed again.

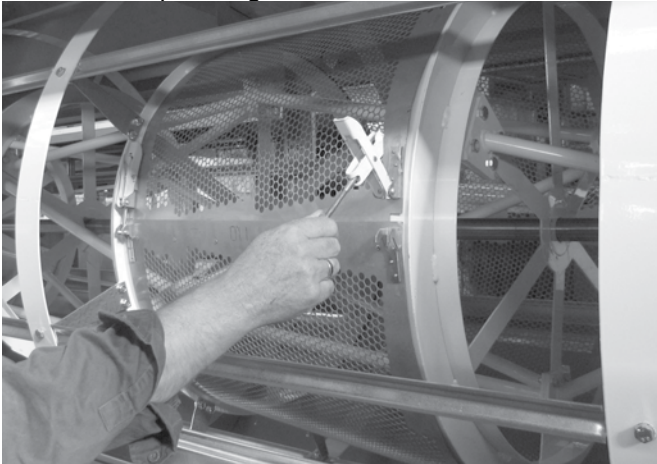
Both the inner and outer screens have a quick-release system attached to the screens to allow easy replacement. Always mount the screens on the screen drum with the handle of the quick-release clamps turning in the direction shown, in order to avoid unintentional release.

The clamps are released by pushing their sides together. The clamp tension can be adjusted by turning the T thread rod. Make sure the screens fit snugly around the drum.



Installation of inner screen

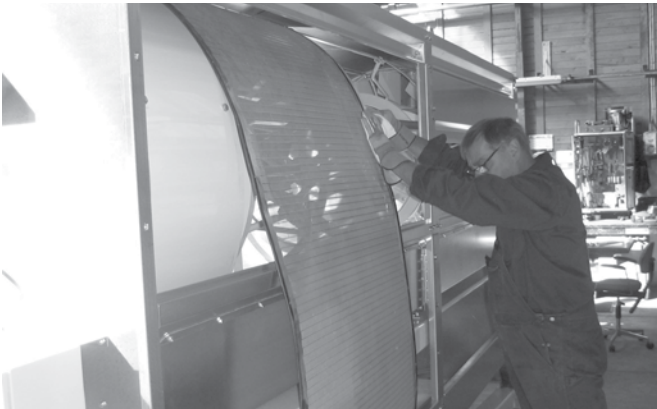
The inner screen is installed by guiding it around the screen drum, and turning the drum to enable the screen ends to be clipped together.



Installation of outer screen

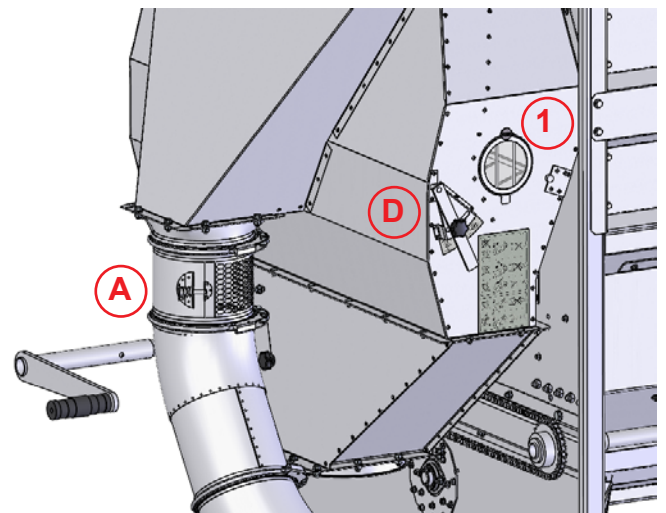
Outer screen replacement is most easily done from the right-hand side of the cleaner (viewed from the inlet end).

The outer screen is installed by placing the screen end opposite of the quick release clamps under the cleaner. Thereafter the u profile is hooked onto the cross bar on the drum, in the screen end with the quick release clamps. The drum is now turned, enabling the screen clamps to be clipped together as shown.

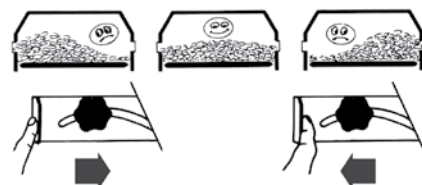


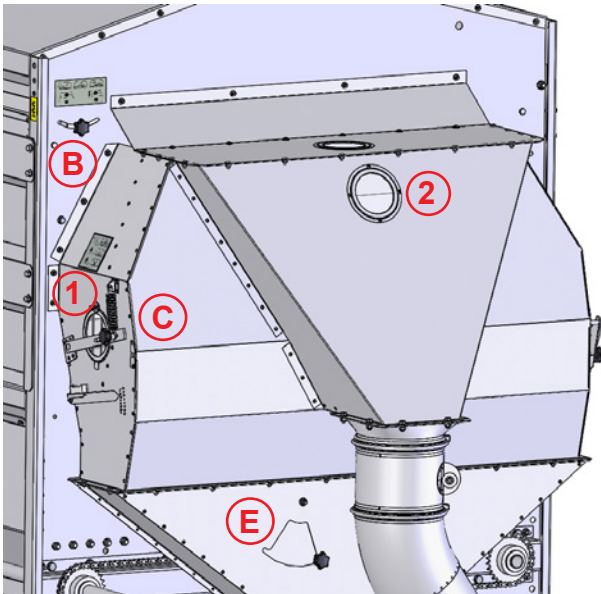
Adjustment of aspiration cleaner

1. First open the damper (A) completely by squeezing the spring and turning the damper.



2. Adjust the guiding plates by means of the handle (B), to ensure that the crop layer is equally high in both sides of the cleaner. This may be checked through the inspection windows (1) on the sides.





4.2 Collect the screenings after the dust cyclone and check that there are not too many whole kernels.

4.3 The screenings can also be inspected through the window on the back of the aspiration cleaner.

5. When handling light crops, too many whole kernels may be extracted, although the aspiration cleaner is set to minimum extraction. In such cases, open the damper (A) a little.

Control of cleaning / sorting efficiency

After the initial adjustment of the cleaner, and operation at the capacity stated for two or three minutes, samples should be taken to check if the desired final result has been achieved.

Sampling can be done at the opening (E).

Loosen the thumbscrew, push the damper to the left and extract the sample through the opening. Beware of sharp edges, and remember to close the shutter after finishing sampling.

If the cleaner is used for sorting, it is required that there is a certain size difference between the two crops that are to be sorted.

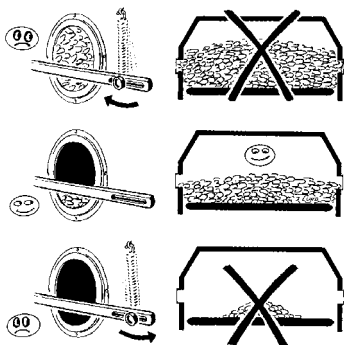
If the sorting between the two crops is too low, reduce the capacity, and if it is too high, increase the capacity. As crops will vary, however, it will be wise to allow for a minor safety margin.

If the capacity is changed, new samples will have to be taken. Continue this way until the desired grading result of the finished product has been obtained. When the correct capacity setting has been reached, it is recommended to deliver a sample of the finished product to the feedstuff dealer for testing, as the test screens are intended as a guide only.

3. Adjust the spring-loaded device (C) of the "grain shutter", so that the shutter will not open until there is grain throughout the width of the shutter. This may be checked through the inspection window (2) on the sides.

Loosen the thumbscrew, push to the desired position and tighten. As a starting point, the handle should be placed in the middle for wheat and barley. For lighter crops, move the thumbscrew to the left, and for heavier crops, move the screw to the right. When the cleaner is running, the crop is checked according to the illustration.

The spring load device determines how long the grain remains in the aspiration chamber.



4. Adjust the air slot in the aspiration cleaner using the handle (D), to avoid extraction of too many whole grains. Loosen the thumbscrew, push to the desired position and tighten.

This may be checked as follows

4.1 If there are many whole kernels in the screenings, they will produce noise in blower and pipeline.

Malting barley grading

In the grading of malting barley, the small-sized kernels are separated on the outer screen.

Considerably larger quantities are to pass through the outer screen when grading malting barley than in ordinary pre-cleaning of grain. In the grading of malting barley it is therefore normally the capacity of the outer screen that determines the capacity of the cleaner.

In the grading of malting barley the impurities from screens and aspiration cleaner are usually kept apart, as it is not desirable that the small grains mix with the impurities from the aspiration cleaner.

Therefore remove the covering plate from the outlet (B) of the trough auger.

Use, for instance, a Kongskilde TRL blower with a venturi to discharge the small kernels.

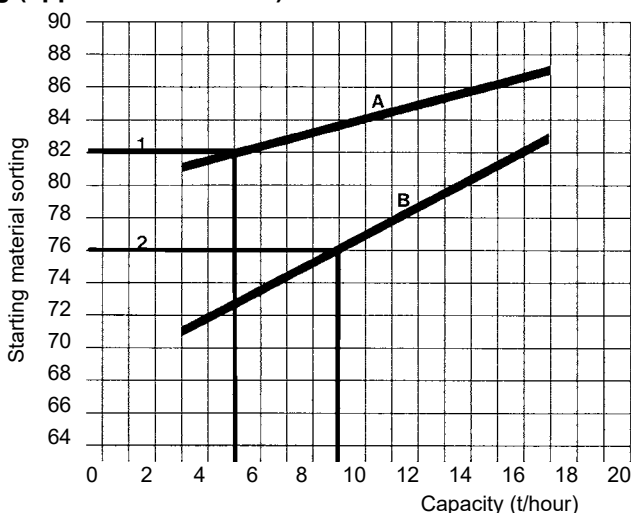
Grading

Basic grading of commercial malting barley is often based on 90% grains exceeding 2,5 mm (in Denmark). This has also been assumed in the following.

Before starting the grading of the malting barley, it is advantageous to know the grading of the starting material (the unsorted grain). This may be determined manually by means of test screens, or you can ask a feedstuff dealer to test one or more samples.

Based on the grading of the sample and the outer screen, use the diagram overleaf to indicate the capacity required to obtain a final grading result of 90% grains exceeding 2,5 mm.

Recommended capacities for malting barley grading (applies to KDC4000)



- (A) Screen 2,5 x 16,5 mm
(B) Screen 2,65 x 16,5 mm

The recommended capacities are subject to the following conditions

Final sorting result: 90 % grains exceeding 2,5 mm
Moisture content: Max. 14 %
(well threshed malting barley)
Inclination of KDC4000: 5°
Inclination of KDC8000: 9°

Examples (for KDC4000):

- Starting material sorting: 82 %
Desired final sorting: 90 %
Outer screen slots: 2,5 x 16,5 mm

Recommended capacity according to graph: 5 t/hour
- Starting material sorting: 76 %
Desired final sorting: 90 %
Outer screen slots: 2,65 x 16,5 mm

Recommended capacity according to graph: 9 t/hour

If the starting material sorting is lower than the curve of the outer screen used, this means that two cycles will be required to reach a final sorting result of 90 %.

Initial adjustment for malting barley grading

Inclination of KDC4000: 5°
Inclination of KDC8000: 9°

Inner screen (mm): Ø9 / Ø9 / Ø7,4/Ø7,4/Ø7,4
Outer screen (mm): 2,5 x 16,5 or 2,65 x 16,5

Selection of inner screen

The selection of the inner screen depends to a high degree on the quality of the threshing and the expected capacity. If the crop is reasonably well threshed, it will sometimes be advantageous to replace the 2nd section of the inner screen of Ø9 mm by an Ø7,4 mm screen and thereby obtain a cleaner crop.

Selection of outer screen

The selection of the outer screen depends on the desired capacity.

Where a high capacity is desired, the 2,65 x 16,5 mm screen should be selected. You risk, on the other hand, a separation of good grains of 3 - 12 % depending on the starting material grading.

The 2,5 x 16,5 mm screen should be selected where a lower capacity and perhaps two cycles can be accepted to achieve a final grading result of 90 %.

Service and maintenance:

Bearings

All motor bearings are lubricated for life from the factory, and requires no maintenance.

Gear for screen drum

The oil level should be checked regularly and filled if necessary. Also check the gear for leakages, and the condition of the oil seals. Replace any leaking seals. Oil is filled through the (top) vent screw hole, checked through the middle screw hole (located just above the motor) and drained through the bottom screw hole. The gear is filled with synthetic oil, ISO VG 680, for operation in working areas -20 to +40 ° C. The gear oil is first replaced after 300 hours of operation, and then every 2 years or after 10,000 hours of operation with mineral oil. For synthetic oil, the interval is every 4 years or every 20,000 operating hours respectively. See any separate manual for the gear drive.

Recommended synthetic VG 680 oil types are:
Mobil Glygoil 680 or **Shell** Omala S4 WE 680.

The gear unit ventilates through the vent screw at temperature fluctuations.
The gear motor must be cleaned as needed so that cooling does not decrease.

Gear for auger

The gear units on the gear motors are filled with synthetic oil from the factory, which does not require replacement. Pay attention to leaky oil seals, and replace if necessary.

Oil type

See any separate manual for the gear drive.
Never mix synthetic oil and mineral oil. If you want to change oil type, it is necessary to clean the gear very carefully.

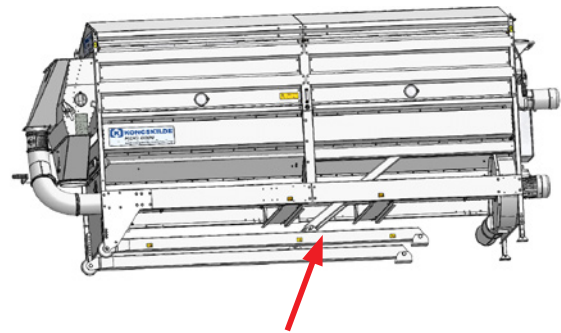
Gas dampers on side doors

The dampers must be inspected and replaced as needed.

Greasing of intermediate bearing on trough auger / screen drum main bearings

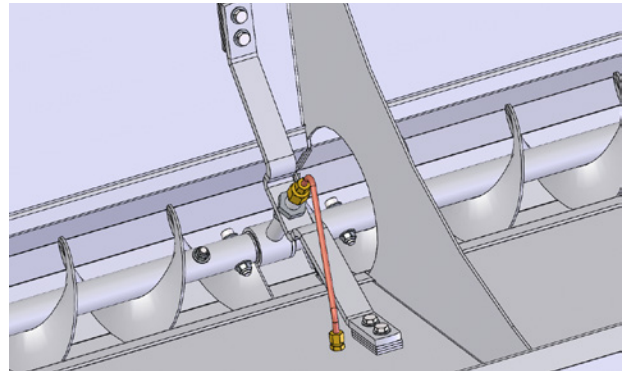
The intermediate bearing on the trough auger is positioned in the bottom trough in the middle of the cleaner.

The bearing construction is a steel shaft running in a nylon bushing with facility for greasing.



Location of intermediate bearing

Greasing of the bearing is extending lifetime of the nylon bushing. It is beneficial to grease the bearing each 40 hours of running. Preferable grease type is: Mobiltemp SHC 460 Special, or similar grease with content of graphite or/and MoS₂.



Re tightening

In a new machine, all screws and bolts should be re tightened after the first day of operation. Make sure that they are always securely tightened.

Electrical connection and cable connections

Check the electrical connection in the control cabinet - the cable glands must be tight and there must be no loose conductors. Also, check the various cables regularly. Additionally, check the magnetic contacts on the side doors for proper attachment and function.

Cleaning

Clean the machine if it is left unused for a considerable period of time. Keep gear and motors free from dirt, which may reduce the cooling. The inspection windows can be removed and wiped off when necessary. The window is removed by turning the thumbscrew 90° and tilting the frame outwards.

Storage

If the cleaner is used for outdoor installation, and will be out of use for a longer period, it is recommended to open the outlets from the auger to avoid water being collected in the bottom of the machine.

Technical data:

	KDC 4000	KDC 8000
Max. capacity pre-cleaning - tonnes/hour	40	80
App. capacity seed cleaning - tonnes/hour	8	13
App. capacity malting barley - tonnes/hour	5	8
Screen drum motor size - kW (HP)	1,5 (2,0)	2,2 (3,0)
Screen drum motor rpm	21,9	23
Blower for aspirator motor size - kW (HP)	4,0 (5,5)	4,0 (5,5)
Blower for aspirator motor rpm	3.000	3.000
Auger drive motor size - kW (HP)	0,75 (1,0)	1,1 (1,5)
Auger drive rpm	450	240
Control panel power supply	3x400V / 50 Hz Rated 13,4A	3x400V / 50 Hz Rated 15A
Inlet for crop	OK200	FK250
Outlet for cleaned crop	OK200	FK250
Conveying pipes for impurities	OK200	OK200
Outlet from auger	OK160	OK200
Inner screen area - m ²	4,1	7,5
Outer screen area - m ²	6,5	10
Weight of cleaner without screens - kg	890	1.425

Above capacities applies for wheat 700 kg/m³.

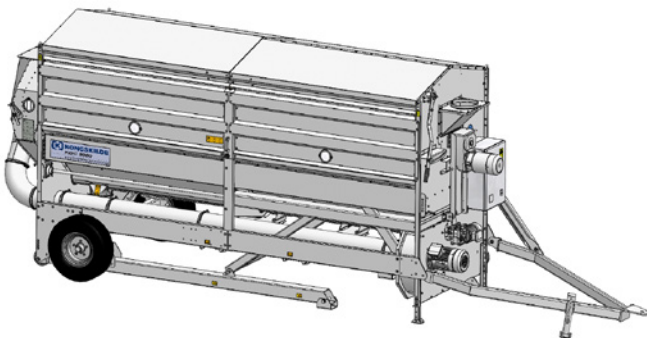
Troubleshooting

Fault	Cause	Remedy
The cleaner does not start when operating the start switch	<p>Missing power supply.</p> <p>Side doors open.</p> <p>Disconnected fuse relay in the control unit.</p> <p>Malfunction of magnetic contacts in the side doors, or broken wires.</p> <p>Magnetic contacts do not close when the doors are closed, as the cleaner is not on a level surface.</p> <p>Defect start switch</p>	<p>Check and restore mains supply.</p> <p>Close door and tighten thumb screw.</p> <p>Reconnect circuit breaker (see section "Electrical installation").</p> <p>Replace magnets or broken wires.</p> <p>Check if the thumbscrews on the doors can be screwed in. Lift one or more of the cleaner's legs, or raise the legs of the lifting arrangement, so that the thumbscrews can be screwed in.</p> <p>Replace start switch</p>
The cleaner does not stop when operating the stop switch	Defect stop switch	Replace stop switch
The side doors of the cleaner bind when opening and closing, or cannot be opened / closed	The cleaner is on a sloping / uneven surface	Check if the thumbscrews on the doors can be screwed in. Lift one or more of the cleaner's legs, or raise the legs of the lifting arrangement, so that the thumbscrews can be screwed in
The thumbscrew on the side door cannot be screwed in when the door is closed	The cleaner is on a sloping / uneven surface	Check if the thumbscrews on the doors can be screwed in. Lift one or more of the cleaner's legs, or raise the legs of the lifting arrangement, so that the thumbscrews can be screwed in
Drum, auger or blower motor not operating	<p>Power supply disconnected.</p> <p>Motor or gear defect</p>	<p>Check and restore power supply.</p> <p>Replace motor or gear</p>
Abnormal noise from drum during operation	<p>Rocks, stones and other impurities in drum.</p> <p>Quick release clamps on screens has opened.</p> <p>Screen dislocated on drum</p>	<p>Make sure there are no larger stones in the unclean crop.</p> <p>Close clamp correctly. Check the bias of the quick-release clamps - adjust if necessary by turning the screw in the coupling</p> <p>Fit the screen correct</p>

Crop is not sufficiently cleansed or sorted	<p>Incorrect screen holes combination selected.</p> <p>Screen holes clogged.</p> <p>Worn cleaning brushes.</p> <p>Moist crop.</p> <p>The capacity of the cleaner has been exceeded / too much crop is being supplied</p>	<p>Choose another screen combination.</p> <p>Install cleaning brushes.</p> <p>Replace cleaning brushes.</p> <p>Add dry crop.</p> <p>Add less crop</p>
Too much crop in the cleaners waste outlet	<p>The capacity of the cleaner has been exceeded / too much crop is being supplied.</p> <p>Incorrect screen holes combination selected</p>	<p>Add less crop.</p> <p>Choose another screen combination</p>
The screens are not properly cleaned by the cleaning brushes	<p>Worn hair on the brushes.</p> <p>Broken rubber bushes on the brushes</p>	<p>Replace the brushes</p>

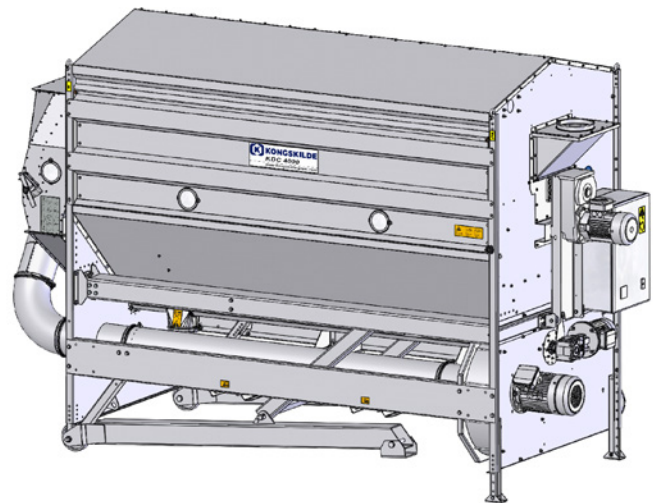
Accessories:

Transport wheels and drawbar - part no. 131082033
Wheels and drawbar for transportation on rough ground after a tractor. Use only over short distances. All local traffic regulations must be observed - be especially aware not drive too fast, to avoid any accidents!



Lifting arrangement for KDC4000 - part no. 131081850

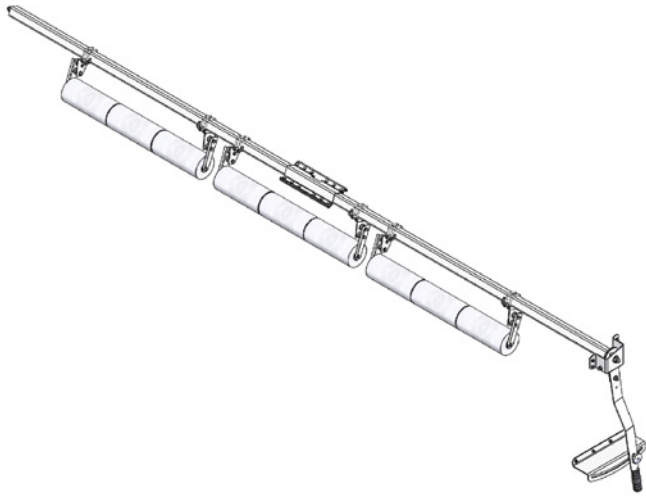
For simple stepless adjustment of the inclination of the cleaner by means of two longitudinal shafts, rotated by crank at the inlet end. The lifting arrangement is standard on the KDC8000.



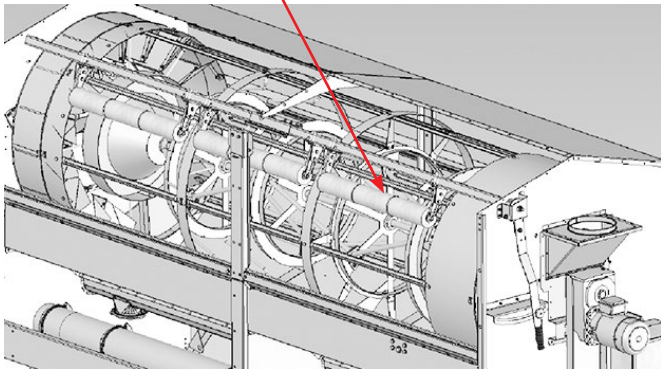
Cleaning brushes for the outer screens - part no. 131081810 (KDC4000) / 131082638 (KDC8000)

When using outer screens with small or oblong holes, the outer screen can be clogged with impurities or kernels blocking the perforation. To clean the screens, it is advised to install cleaning brushes.

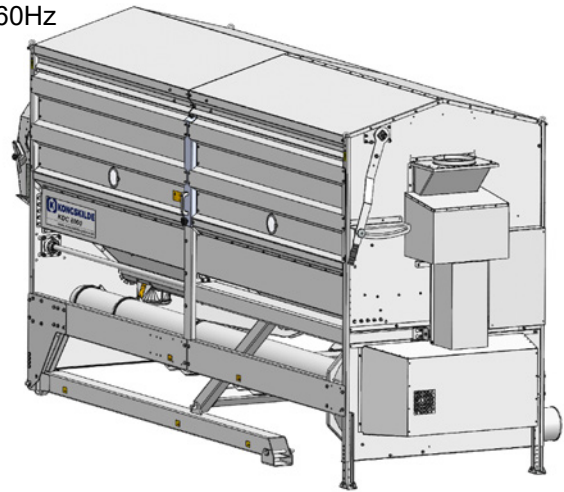
The brushes are mounted on rollers, which rotate in the opposite direction of the drum. For some outer screens, the brushes do not cover the entire width of the perforation in the screen, which varies from one type of screen to another (round holes, oblong holes or square holes, and different dimensions). The perforation of the outer screens varies in width due to the durability of the screen and production technical conditions.



The cleaning brushes are mounted at the top left of the machine



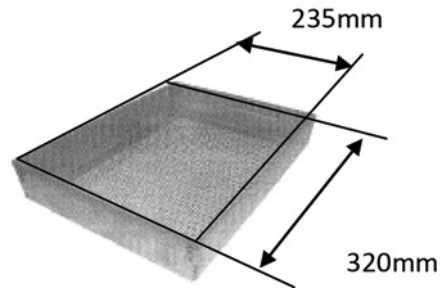
60Hz



Flexible connection - part no. 131082043

As a link between a pipe system and the cleaners inlet funnel, a flexible connection is available. This will allow stepless height adjustment of the cleaner without dismantling of any pipes. The connection can be adjusted in height, and is equipped with a neoprene sock, to avoid penetration of rain or snow.

Test screens



A range of hand held screens with different perforations are available from Kongskilde. These can be used to do preliminary cleaning tests, which will give a good guideline for deciding screen selection.

Screens

Furthermore, inner and outer screens are offered with varying hole diameters, please contact Kongskilde for further information. See also section "Screen program".

Piping for conveying of impurities

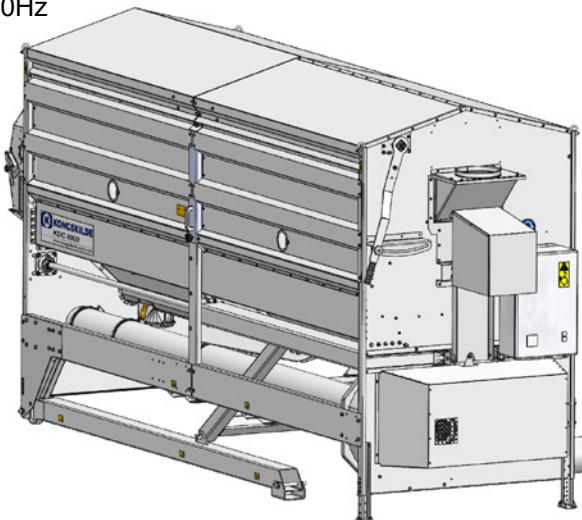
A wide range of OK 200 piping components and cyclones are available for conveying the impurities from the cleaner to disposal into location for storage of impurities, and to convey the crop.

Rain cover for gear motor - part no. 131082639 (50Hz) / 131082682 (60Hz)

The rain cover will protect the gearmotor against impact from the weather when installed outdoor.

Kongskilde offers two types; one for 50Hz motors, and one for 60Hz motors.

50Hz



FR

Ce mode d'emploi concerne le nettoyeur-séparateur Kongskilde type KDC.

Description :

Le Kongskilde Dual Cleaner est un nettoyeur combiné par aspiration et tamisage, conçu pour séparer les céréales et les impuretés. Le nettoyeur est essentiellement destiné à être utilisé pour un pré-nettoyage du blé, de l'orge, du seigle, de l'avoine, du colza, du maïs, des pois, des graines de soja et du tournesol. De plus, le nettoyeur peut être employé pour trier les graines et l'orge de brasserie. Les tamis rotatifs sont commandés par un motoréducteur électrique et les récoltes nettoyées peuvent être transportées par l'aspirateur vers un système de transport. Les impuretés sont éliminées par soufflage avec l'air d'aspiration et doivent être séparées au moyen d'un cyclone pour être collectées. Le nettoyeur peut être équipé de tamis comportant des perforations de différentes tailles selon la nature des récoltes.

La capacité varie en fonction des récoltes à traiter ; dans les récoltes flottantes, la capacité peut atteindre 40 tonnes par heure (KDC4000) / 80 tonnes par heure (KDC8000) selon les exigences imposées à la pureté des récoltes.

Le nettoyeur doit être alimenté en continu.

Mise en garde :

Veiller à ce que toutes les protections soient en ordre, et correctement montées lorsque la machine fonctionne

Ne jamais faire fonctionner le nettoyeur sans que les panneaux latéraux couvrant le tambour ne soient fermés - il existe un risque accru de blessures si une main saisit le tambour en rotation ! Le nettoyeur est équipé avec des capteurs magnétiques sur les deux panneaux latéraux qui coupent tous les moteurs si les panneaux latéraux sont ouverts pendant le fonctionnement.

Lors du remplacement des tamis, tourner le tambour rotatif manuellement. Utiliser la manivelle qui est fournie avec le nettoyeur-séparateur pour tourner le motoréducteur et le tambour rotatif. Ne jamais tourner le tambour en faisant fonctionner le motoréducteur, pour remplacer les tamis.

Garder le nettoyeur à disposition afin d'éviter les accidents dus aux chutes.
S'assurer d'un éclairage suffisant pour un fonctionnement sûr du nettoyeur.

Lors du remplacement des tamis, tourner le tambour du tamis uniquement manuellement, ne jamais tenter de tourner le tambour en utilisant le motoréducteur. Porter des gants lors du remplacement des tamis - les tamis peuvent présenter des angles vifs. Par ailleurs, utiliser des gants si des échantillons sont prélevés à travers l'ouverture située dans le pignon du nettoyeur étant donné que la perforation peut présenter des angles vifs.

Faire preuve de prudence lors de la fermeture des panneaux latéraux - il existe un risque d'écrasement entre le couvercle et les panneaux latéraux. De plus, être conscient des risques de blessures à la tête lorsque les panneaux sont fermés, il peut y avoir des angles vifs. Ne jamais introduire ses mains dans la sortie de la vis sans fin située au fond du nettoyeur, la vis peut causer de graves blessures.

La sortie ne doit jamais être laissée ouverte lorsque le nettoyeur est en train de fonctionner. Relier la sortie à un conteneur ou une tubulure OK200 d'une longueur min. de 850 mm afin d'empêcher tout accès aux pièces tournantes.

Pour éviter tout contact non intentionnel avec les pièces tournantes, des tuyaux d'une longueur minimum de 800 mm, avec un diamètre de Ø 200 mm maximum, doivent être installés sur les tubulures d'entrée et de sortie.

Ces tuyaux doivent être installés avec des colliers de serrage à boulons, des outils étant nécessaires pour le démontage.

S'il n'est pas possible d'utiliser des tuyaux d'au minimum 800 mm, il faut garantir un intervalle de 800 mm minimum entre le nettoyeur et les colliers de serrage à boulons, des outils étant nécessaires pour le démontage.

Ceci s'explique par le fait qu'un personnel non habilité n'est pas autorisé à accéder aux pièces tournantes en vertu de la directive européenne 2006/42/CE (Directive sur les machines). Si des raccords rapides sont utilisés, un personnel non habilité pourrait démonter la tubulure et accéder aux pièces potentiellement dangereuses/tournantes.

Ne jamais introduire ses mains dans l'entrée ou la sortie du ventilateur-aspirateur pendant le fonctionnement du ventilateur.

Être conscient du risque de lésions oculaires - porter des lunettes à proximité de la sortie du ventilateur.

Toutes les installations électriques doivent être réalisées conformément aux réglementations en vigueur.

Si des bruits ou des vibrations anormales sont détectés, il convient de mettre immédiatement à l'arrêt le nettoyeur et de rechercher la cause. En cas de doutes,

appeler l'assistance experte pour toute réparation et maintenance.
 S'assurer que le nettoyeur est installé sur une surface stable, horizontale et solide afin de prévenir chute et renversement.

Si le nettoyeur doit être déplacé, il doit être levé sur les quatre points de levage situés dans les angles du nettoyeur (marqués par le symbole d'une chaîne) ou un chariot élévateur doit être utilisé. Il doit toujours élever sur les points indiqués sous les rails situés sur les poutres du nettoyeur. Les fourches doivent être suffisamment longues pour le levage de part et d'autre du nettoyeur. Si le nettoyeur tombe, il existe un risque important de blessures corporelles.

Porter une protection auditive si des travaux sont effectués sur le nettoyeur durant des périodes prolongées étant donné qu'il existe un risque de déficience auditive.

Signalisation de sécurité:

Afin d'éviter des accidents, bien suivre les instructions de sécurité préconisées dans le manuel, et se référer à la signalisation. Des signalisations sans texte sont utilisées sur la machine. Voir leur description ci-dessous.



Ne jamais mettre les mains à la sortie de la vis de fond quand le nettoyeur est en fonctionnement.



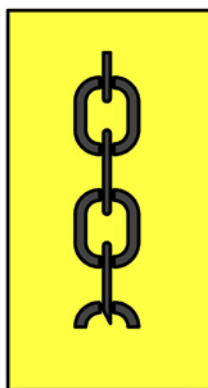
Emplacement des points de levage pour chariot élévateur.



Ne pas placer les fourches à cet endroit



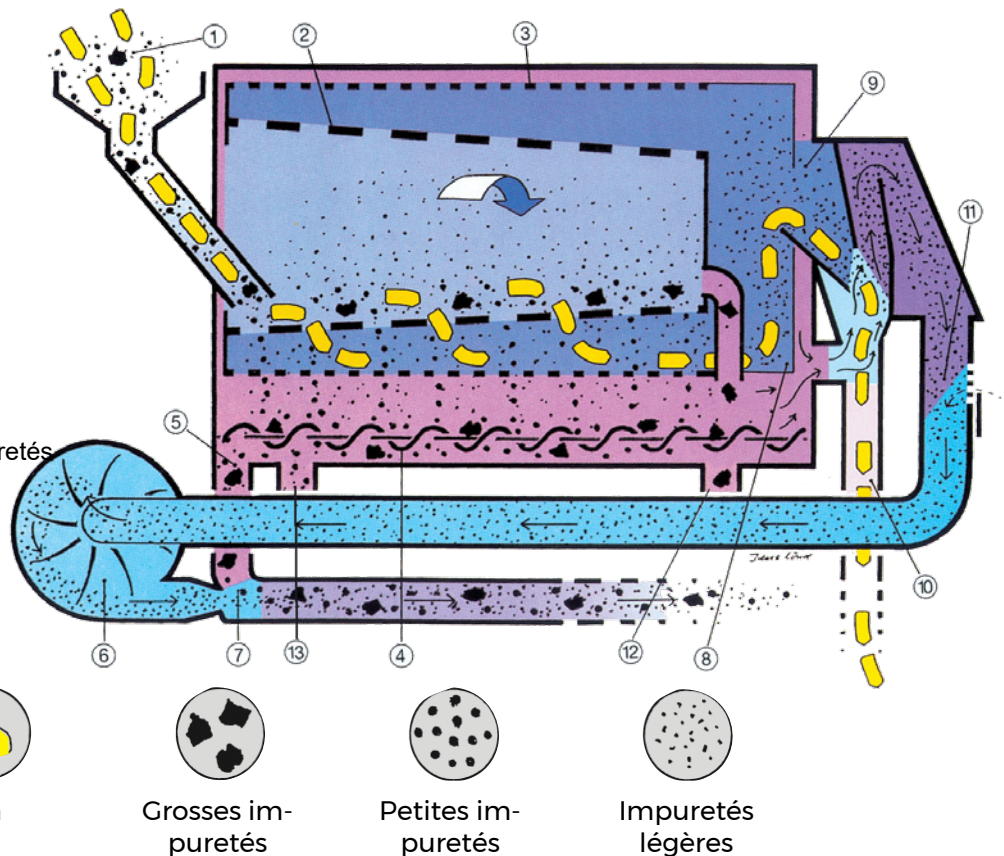
Lire attentivement le manuel d'instructions avant d'utiliser le nettoyeur-séparateur.



Emplacement des points de levage

Principe d'opération :

- ① Entrée du grain
- ② Tamis intérieur
- ③ Tamis extérieur
- ④ Vis sans fin
- ⑤ Sortie déchets
- ⑥ Ventilateur
- ⑦ Venturi
- ⑧ Tambour d'élévation
- ⑨ Chambre d'air
- ⑩ Sortie grain propre
- ⑪ Réglage de l'air
- ⑫ Sortie grosses impuretés
- ⑬ Sortie petits grains, pour, l'orge de brasserie par exemple.



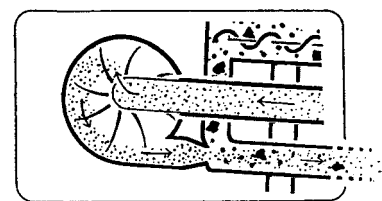
Mode de fonctionnement

1. Entrée du grain non nettoyé.
2. Le tamis intérieur sépare les grosses impuretés du grain. La forme conique du tamis et la faible vitesse de rotation assurent une parfaite séparation.
3. Le tamis extérieur retient le bon grain et évacue les déchets les plus fins.
4. Les impuretés provenant des deux couches de tamis sont collectées dans le fond, où la vis sans fin transporte les tamis vers l'extrémité d'entrée du nettoyeur KDC.
5. Un système venturi réceptionne les déchets, pour être transportés (si les deux registres sont fermés).
6. Le ventilateur transporte les déchets par pression et aspire les dernières impuretés.
7. La tuyauterie permet de transporter les déchets à l'endroit désiré.
8. Les palettes d'élévation acheminent le grain dans la chambre à air.
9. Chambre pour évacuer par air les dernières poussières fines.
10. Sortie grain propre (OK200).
11. Régulateur d'air pour la chambre.
12. Sortie grosses impuretés.
13. Sortie impuretés fines et petits grains.

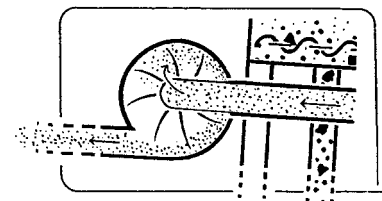
La capacité du nettoyeur dépend des paramètres et du choix des tamis :

- Si l'inclinaison du nettoyeur est accrue, les céréales se déplacent plus rapidement au-dessus des tamis. La capacité augmente et la pureté diminue.

- Les tamis intérieurs dotés de petits trous accroissent l'efficacité de nettoyage et réduisent la capacité.



L'ensemble des impuretés provenant des tamis et de la chambre d'air, est convoyé dans un tuyau de refoulement.



Les impuretés légères sont convoyées par le ventilateur et évacuées par gravité en ouvrant la sortie déchets.

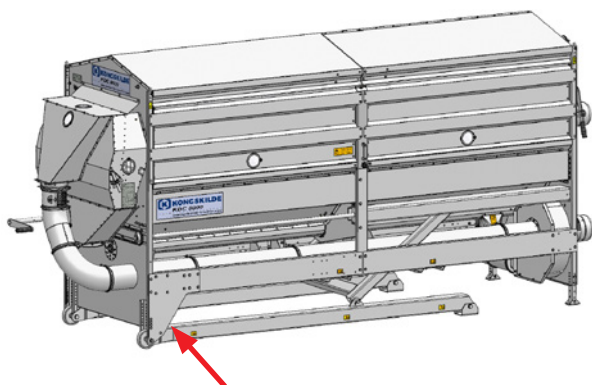
Points de fixation:

Le nettoyeur doit être installé sur une surface stable, plane et horizontale. Pendant l'installation, il convient de prêter attention aux problèmes suivants :

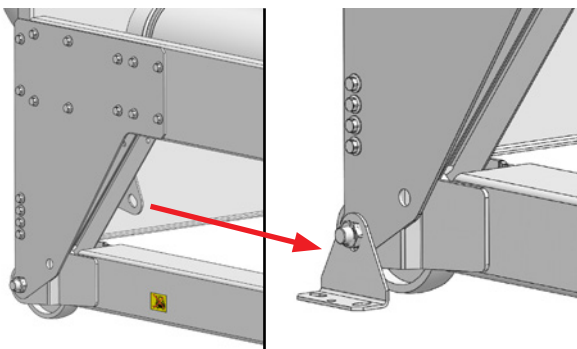
- les portes latérales du nettoyeur accrochent
- la vis papillon située sur les portes latérales ne peut pas être vissée
- les contacts magnétiques situés sur les portes latérales ne fonctionnent pas correctement

Si un ou plusieurs problèmes susmentionnés se produisent, le nettoyeur doit être mis à niveau par un support en dessous des pieds ou sous le dispositif de levage. Voir sections « Fonctionnement » et « Dépannage ».

Si le nettoyeur est placé sur une plateforme ou équivalent, il est important de bien le fixer pour éviter de le faire tomber. Il faut par conséquent le fixer en vissant les deux pièces d'adaptation sur le plancher, qui se trouvent dans l'angle de la béquille avec la machine. On peut les enlever lors du transport sur roues. Il suffit ensuite de les visser sur le plancher.



Supports prévus pour fixer le KDC 8000 au sol



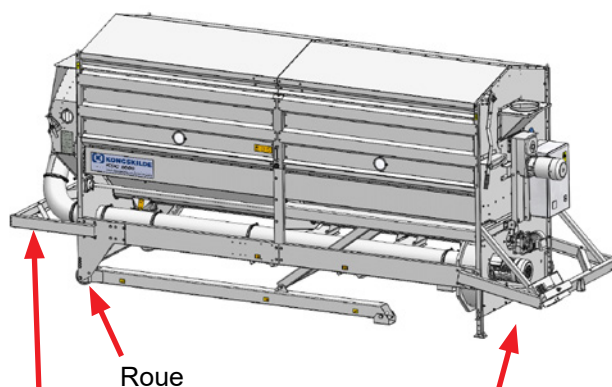
Les supports sont fixés sur les essieux de roues

Réglage de la hauteur au-dessus du sol (par rapport à la tubulure pour décharger le tuyau sur la vis sans fin)

Le nettoyeur doit être en position horizontale avant de régler l'inclinaison du tambour (voir section « Inclinaison »). Si ce n'est pas encore le cas, le nettoyeur peut être élevé et les boulons / pieds peuvent être déplacés de façon à obtenir un réglage horizontal.

Transport du nettoyeur

Le nettoyeur est équipé de supports de transport à la livraison à des fins de manœuvres pendant le chargement et le déchargement et pour être protégé pendant le transport. Les supports de transport seront également utilisés pour le transport sur des surfaces planes. Le nettoyeur est équipé de petites roues dans la partie arrière pour le transport dans le sens de la longueur. Ceci peut être utile lors du déchargement de l'unité à l'intérieur ou à l'extérieur d'un conteneur.

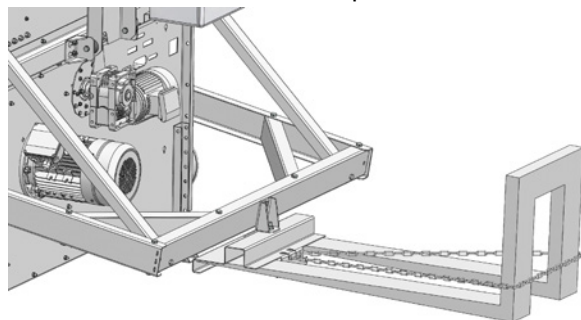


Roue
Partie arrière du support de transport, pour une protection

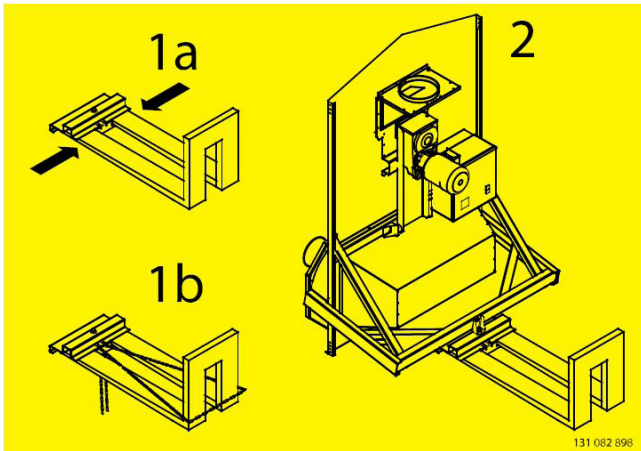
Transport et protection dans la partie avant. La barre transversale est employée pour lever la partie avant du nettoyeur, par exemple à l'aide d'un chariot élévateur

Un support de fourche est fixé sur le support avant du transport du KDC8000. Sur les chariots élévateurs équipés d'une hydraulique pour déplacer les fourches sur le côté, le support est posé sur l'extrémité des fourches et les fourches sont regroupées pour maintenir le support. Généralement, l'hydraulique est suffisamment résistante pour maintenir le support pendant le transport du nettoyeur à l'avant et à l'arrière.

Si le chariot élévateur ne comporte pas d'hydraulique pour actionner les fourches, la chaîne jointe sera utilisée pour maintenir le support de sorte qu'il ne soit pas retiré des fourches lors d'un déplacement à l'arrière.



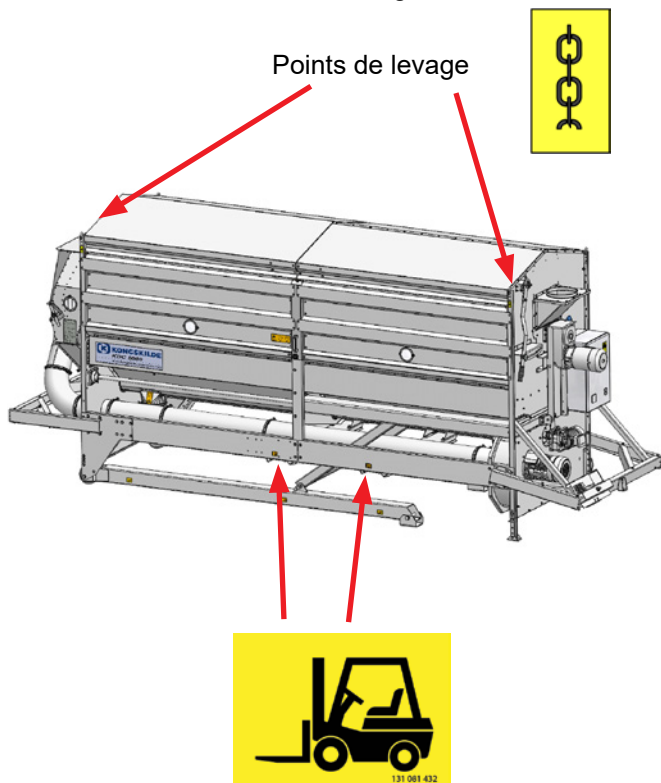
Ce transfert est situé sur le support de la fourche :



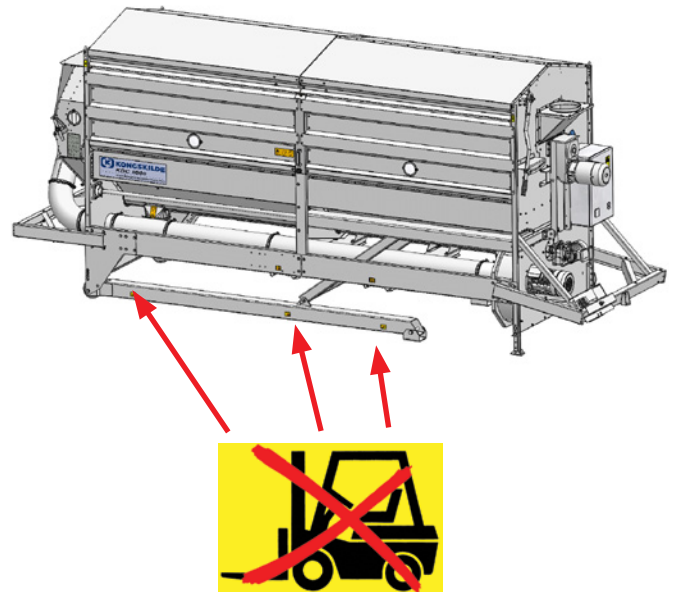
Ne pas tenter de déplacer le nettoyeur en le faisant glisser sur une surface, il existe un risque de flexion des pieds du nettoyeur. En revanche, lever le nettoyeur sur les quatre points de levage ou à l'aide d'un chariot élévateur sous celui-ci.

NB - Prévoir un dégagement suffisant lors du transport du nettoyeur.

Le nettoyeur peut être déplacé par un levage sur les 4 points de levage situés en haut des angles ou par chariot élévateur sous les barres longitudinales.



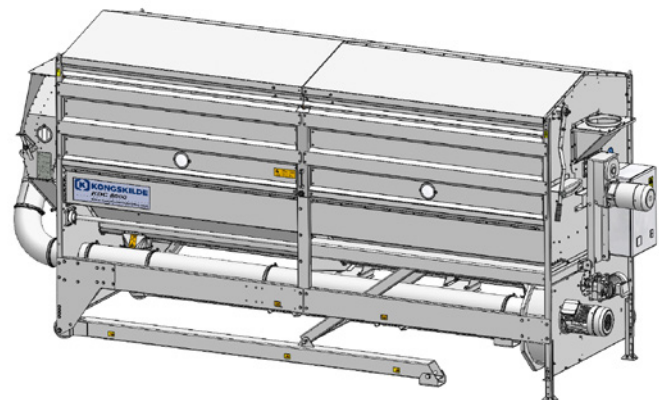
Rails permettant de lever le nettoyeur par chariot élévateur - sont indiqués par ce symbole.



Ne jamais élever le nettoyeur à l'aide d'un chariot élévateur sous les poutres du dispositif de levage - est indiqué par ce symbole.

Lorsque l'on place le KDC8000, par exemple sur une plate-forme où le nettoyeur repose sur les roues et les pieds du dispositif de levage, le nettoyeur ne doit pas être placé à une inclinaison inférieure que l'horizontale, sans quoi il existe un risque considérable de déformation du dispositif de levage !

Lorsque le nettoyeur est installé dans la configuration finale, les supports de transport peuvent être retirés.



Le nettoyeur sans supports de transport.

Emplacement

Il peut être judicieux d'installer le nettoyeur de façon à ce que les récoltes soient nettoyées à la fois lors de leur mise en stock et lors de leur retrait.

La capacité dépend généralement de l'exigence imposée à la pureté étant donné qu'une charge moins importante des tamis permet d'éliminer plus facilement les impuretés.

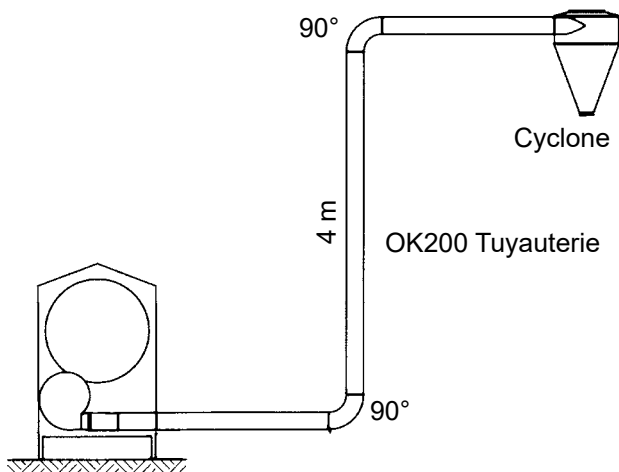
Par conséquent, le système de transport doit être conçu de sorte qu'il soit possible de réguler l'alimentation en matière du nettoyeur.

Assurez-vous qu'il y a suffisamment d'espace près du nettoyeur pour effectuer les réglages nécessaires et les travaux d'entretien. Veillez également à ce qu'un espace suffisant soit prévu pour remplacer les tamis. Le moyen le plus simple est de placer les tamis sur le côté droit du nettoyeur (vu depuis l'extrémité de l'entrée). Les tamis peuvent être remplacés en toute facilité lorsqu'un espace libre d'env. 1,5 m est disponible près le nettoyeur.

Tuyauterie de la soufflerie

La tuyauterie de la soufflerie est de type OK200, avec un minimum de coudes. Il est recommandé de terminer la tuyauterie par un cyclone.

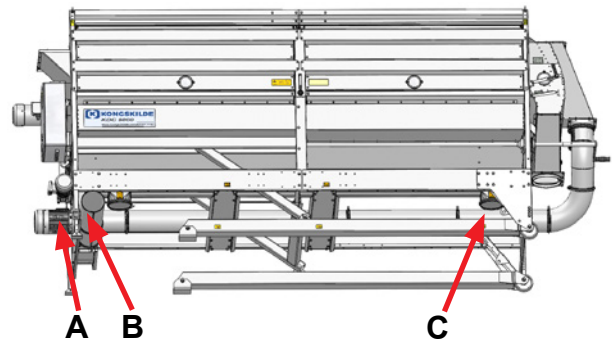
Si les grains présentent un taux ordinaire d'impuretés, la soufflerie est assez puissante pour transporter le refus d'environ 20 m (4 m vertical, 2 coudes et un cyclone incl.).



Si une trop grande partie de l'énergie de la soufflerie est utilisée au transport, la quantité d'air sera réduite ainsi que le pouvoir nettoyant du nettoyeur à air. Si une longueur de transport accrue est exigée, on pourra éventuellement monter une soufflerie supplémentaire.

Triage du refus

On peut acheminer le refus des tamis, soit vers une sortie séparée, soit dans le conduit de la soufflerie (A) et l'évacuer avec les impuretés légères.



Les refus produits par les tamis et par l'aspiration sont regroupés dans un tuyau de refoulement

Monter la plaque de recouvrement à la sortie (B) et (C) de la vis sans fin dans l'auge de fond.

Les refus séparés par les tamis et par l'aspiration, sont convoyés chacun à part

Démonter la plaque de recouvrement à la sortie (B) de la vis sans fin dans l'auge de fond. Sur demande, la plaque de recouvrement peut être remplacée par un clapet.

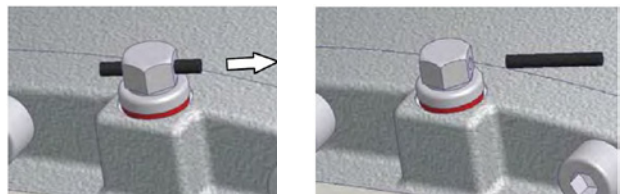
Les très grosses impuretés séparées par les tamis intérieurs, peuvent également être convoyées à part.

Les très grosses impuretés séparées par un tamis intérieur, peuvent également être convoyées à part

Pour cela, enlever la plaque (C) de recouvrement à la sortie de la vis de fond. Sur demande, la plaque de recouvrement peut être remplacée par un clapet. Il est dangereux de toucher la vis sans fin en rotation, voir la section "Notes d'avertissement" et l'étiquette d'avertissement sur l'auge inférieure.

Tambour et motoréducteur de la vis sans fin

Afin d'éviter toute perte d'huile pendant le transport, l'ouverture du réducteur est fermée à l'aide d'une bande caoutchouc plate. Cette bande d'étanchéité doit être retirée avant de mettre le nettoyeur en service.



Installation de l'interrupteur de sécurité (sur les modèles sans boîtier de commande)

Monter les interrupteurs magnétiques pour le relais de sécurité conformément au schéma figurant à la fin du présent manuel.

Chaque contacteur du moteur doit être commutable par courant DC et alimenté par le circuit de sécurité 24 VDC.

Toutes les réglementations locales doivent être respectées. L'installateur assume l'entière responsabilité à l'égard du respect des réglementations locales.

Pour s'assurer que les interrupteurs de sécurité fonctionnent avec le tableau de commande KDC, il convient de suivre cette procédure étape par étape :

- S'assurer que le nettoyeur est installé comme il se doit et que le système à interrupteur de sécurité magnétique situé sur les portes latérales est bien relié conformément au schéma électrique.
- Fermer les deux portes latérales et démarrer le nettoyeur.
- Pour tester le système de sécurité, commencer maintenant à ouvrir les portes latérales en dévissant la vis papillon. Lors du dévissage, le relais de sécurité doit couper le circuit et donc arrêter les moteurs.
- L'ouverture des portes latérales prendra une quinzaine de secondes.
- Lorsque les portes latérales sont ouvertes, le tambour doit avoir arrêté de tourner et doit donc se trouver dans un état sûr pour le changement des tamis de nettoyage.

Installation des moteurs (sur les modèles 60 Hz)

Les moteurs doivent être installés sur le KDC pour le fonctionnement de ce dernier. Chaque moteur doit être installé avec un contacteur de moteur DC raccordé au circuit de sécurité dans le tableau de commande. Ceci sert à assurer la sécurité pendant la mise en service de la machine.

Le KDC 4000 utilise:

- Vis en auge KDC 4000 - moteur 0,75 kW avec bride N56C
- Tambour KDC 4000 - moteur 1,5 kW avec bride N140TC
- Ventilateur KDC 4000 - moteur 4 kW avec bride FF215

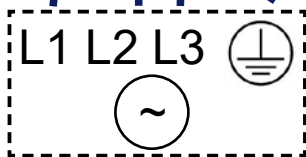
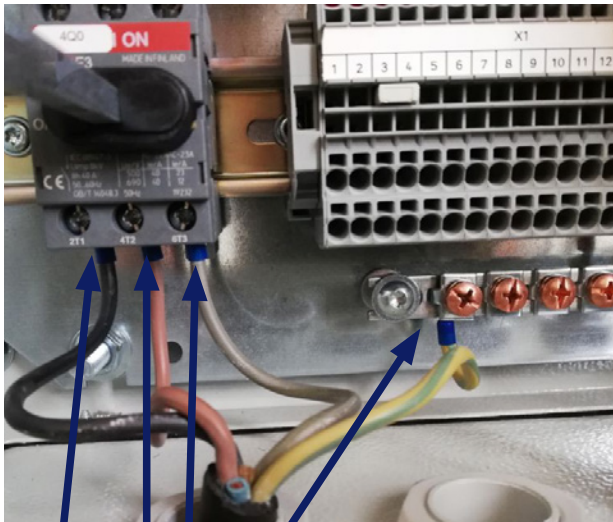
Le KDC 8000 utilise:

- Tambour KDC 8000 - moteur 2,2 kW avec bride N140TC
- Vis en auge KDC 8000 - moteur 1,1 kW avec bride N143T
- Ventilateur KDC 8000 - moteur 4 kW avec bride FF215

S'assurer que le système à interrupteur de sécurité magnétique est contrôlé et entretenu régulièrement conformément au manuel utilisateur du nettoyeur.

Installation électrique :

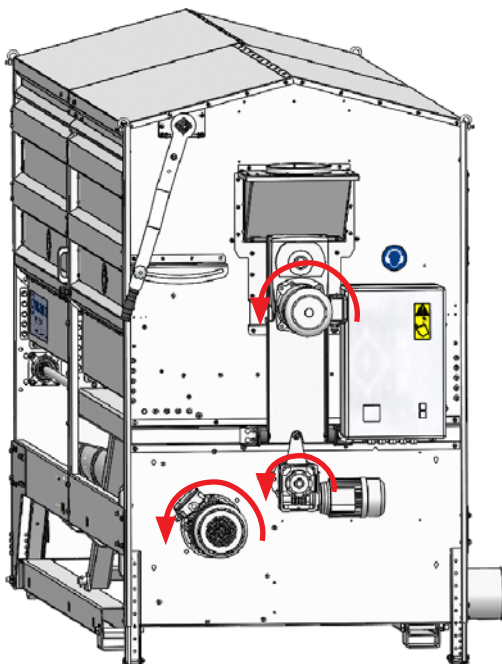
Le câble d'alimentation est acheminé à travers le presse-étoupe dans l'armoire de commande et relié conformément au schéma. Utiliser toujours des embouts sur les extrémités des câbles et bien serrer les vis.



Voir le schéma de branchement dans l'armoire de commande.

Sens de rotation

La connexion électrique doit se faire de sorte que le sens de rotation du tambour à tamis, comme de la soufflerie et de la vis sans fin dans l'auge au fond de l'appareil, soit en sens inverse des aiguilles d'une montre.



Capacité :

La capacité maximum du nettoyeur combiné pour le prénettoyage des céréales est :

- env. 40 tonnes/heure pour KDC4000
- env. 80 tonnes/heure pour KDC8000

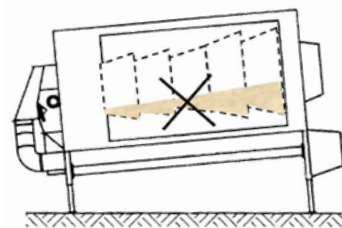
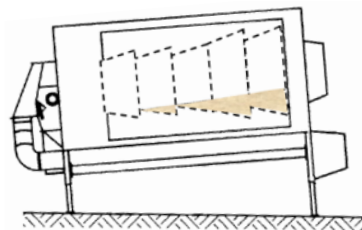
Généralement, la performance dépendra du rendement de nettoyage souhaité - plus la charge des tamis est faible, meilleure sera la séparation des impuretés.

Par conséquent, le système de convoyage doit être conçu pour permettre un ajustement de l'alimentation en matière vers le nettoyeur combiné afin d'obtenir le rendement de nettoyage souhaité.

Consignes sur la capacité et la sélection des tamis

Le tamis intérieur sépare les grosses impuretés de la récolte. Le plus gros de la récolte passe à travers le tamis intérieur. En choisissant le tamis à petites perforations on obtient un nettoyage très performant, mais on réduit la capacité. En choisissant un tamis à grosses perforations, on obtient un bon débit mais on réduit la performance du nettoyage.

Pour un maximum de débit, il faut utiliser les tamis avec des perforations suffisamment grosses pour permettre aux grains de passer à travers assez vite. Le tamis extérieur permet de séparer les petites impuretés et les petits grains, de la récolte. Pour le prénettoyage, aucune limite de débit en rapport avec le choix des tamis. Pour séparer les grains selon leur taille sur le tamis extérieur, on obtient environ 10-20 % de la capacité requise pour le prénettoyage.



Le meilleur résultat de nettoyage est obtenu avec des céréales sèches.

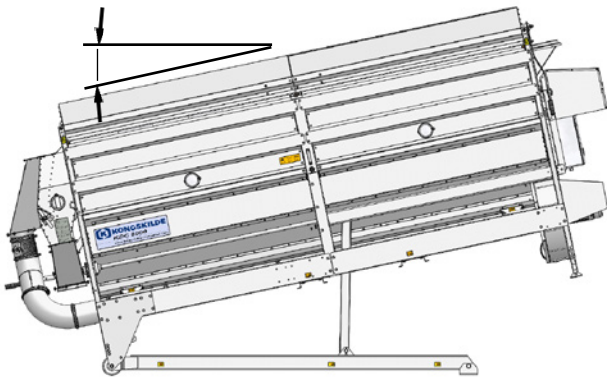
Inclinaison:

Si le nettoyeur doit être utilisé pour le prénettoyage, il est recommandé de régler l'inclinaison sur :

- env. 6° pour le KDC4000
- env. 9° pour le KDC8000

L'inclinaison influe sur le débit et l'épaisseur des couches présentes sur les tamis et donc sur la performance du nettoyage.

Lors d'une inclinaison d'environ 4°, le tamis intérieur est horizontal. L'inclinaison ne doit donc jamais être inférieure à 4°, pour que le tamis intérieur soit horizontal ou s'incliner vers la section sortie.



Normalement, le nettoyeur n'a pas besoin d'être réglé avec une inclinaison supérieure à :

- env. 7° pour le KDC4000
- env. 12° pour le KDC8000

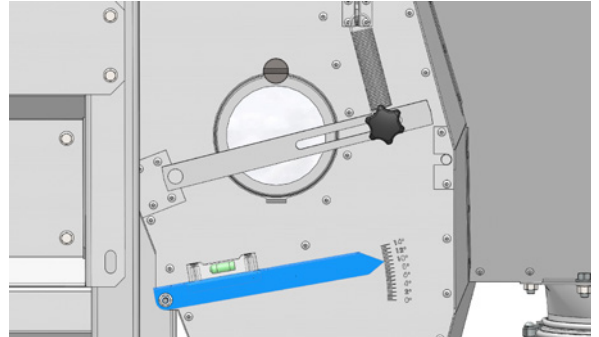
Lors de l'installation, il est donc important de noter que l'inclinaison de la machine peut être réglée. En particulier, il convient de prendre en considération le fait que les tubulures d'entrée et de sortie peuvent être adaptées aux changements d'inclinaison.

Monter, par exemple, un flexible en acier sur l'entrée et la sortie du ventilateur (numéro de commande Kongskilde 122 050 156) - voir également section « Accessoires ».

Pour un prénettoyage à haut rendement, il est habituellement nécessaire de régler l'angle d'inclinaison à partir :

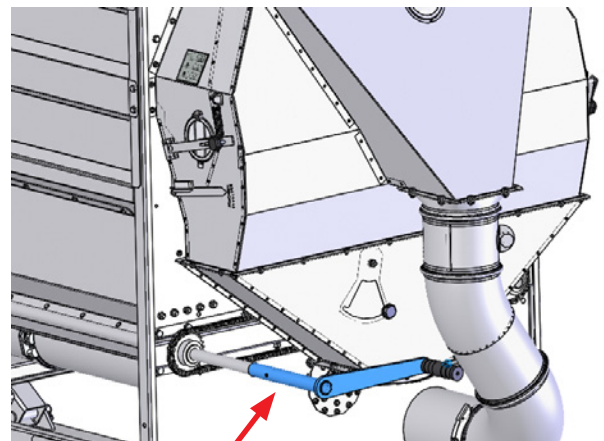
- d'env. 4,5° - 7° pour le KDC4000
- d'env. 8° - 12° pour le KDC8000

Utiliser le rapporteur sur le côté du nettoyeur afin de régler l'inclinaison.



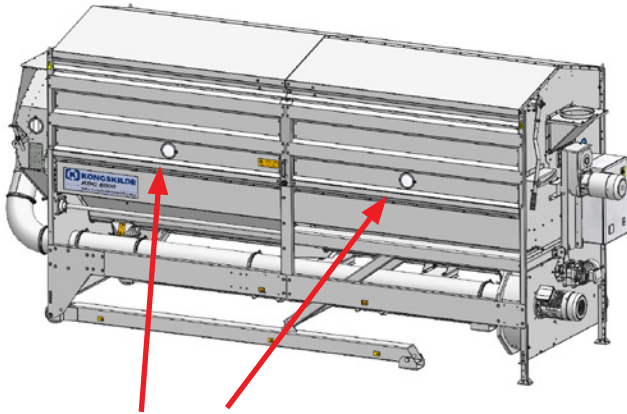
Régler la flèche sur le nombre de degrés souhaité. Soulever maintenant l'extrémité de l'entrée du nettoyeur jusqu'à ce que le niveau à bulle indique que la flèche est horizontale par :

- *KDC4000 sans dispositif de levage* - élever le nettoyeur, régler la hauteur des pieds et abaisser le nettoyeur de sorte qu'il repose sur les pieds
- *KDC4000 avec dispositif de levage et KDC8000 avec dispositif de levage* - tourner la manivelle sur l'extrémité du nettoyeur.



Manivelle pour réglage de l'inclinaison

Le remplissage des tamis peut être vérifié via les fenêtres d'inspection sur les panneaux latéraux. Il est recommandé de placer une lampe puissante à côté de la fenêtre d'inspection sur le côté opposé du nettoyeur pour faciliter le contrôle à travers la fenêtre.



Fenêtres d'inspection

Informations générales, sur l'importance de l'inclinaison

Tamis intérieur

Les grosses impuretés sont séparées à partir du tamis intérieur.

Une plus grande inclinaison facilite la séparation des grosses impuretés, elles passent plus rapidement sur le tamis, ce qui leur laisse moins de temps pour être retournées et être évacuées.

Toutefois, si l'inclinaison est élevée, les grains ont aussi moins de temps pour passer au travers du tamis avant d'arriver à la sortie, à la fin du tambour à tamis, et se mélangent ainsi aux impuretés.

Tamis extérieur

Les petites impuretés sont séparées sur le tamis extérieur. Ce dernier est également utilisé pour séparer les petits grains lors du tri selon la taille, comme l'orge de brasserie et les récoltes mélangées présentant différentes tailles de grains.

L'efficacité du nettoyage dépend de la capacité - une capacité plus élevée engendrera un effet nettoyant réduit étant donné que les petites impuretés mettront moins de temps à passer à travers le tamis extérieur avant que les récoltes ne soient introduites dans le nettoyeur-aspirateur.

Gamme de tamis:

Afin d'obtenir un nettoyage optimal il est important d'utiliser des tamis aux dimensions de perforations appropriées.

Il existe une gamme de tamis pour le nettoyeur-séparateur, convenant pour les grains les plus courantes.

Tamis pour tambour à tamis intérieur

Sur le tambour à tamis intérieur il faut que les grains passent au travers du tamis et que les grosses impuretés soient retenues.

Par conséquent, les tamis à petits trous assurent une bonne séparation du grain et des grosses impuretés. Comme solution standard, la même dimension de trous sur les deux premières sections est recommandée.

Toutefois, en cas de faibles capacités, on obtiendra souvent un meilleur pouvoir nettoyant, en utilisant une dimension de trous réduite sur la deuxième section. La majorité des grains doit cependant passer au travers du tamis intérieur sur la première et la deuxième section.

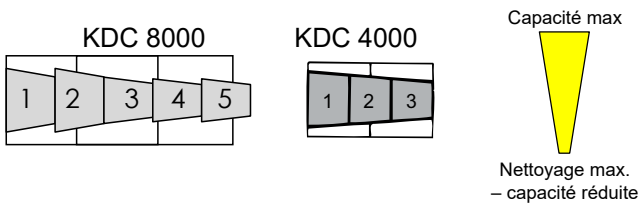
Sur le KDC4000, il est recommandé en standard d'utiliser le même diamètre de trou sur les deux premières sections intérieures. Cependant, en cas de capacités réduites, une meilleure séparation sera souvent obtenue en utilisant un diamètre de trou plus petit sur la 2ème section. Cependant, la partie principale des récoltes doit passer à travers les premières et deuxième sections du tamis intérieur.

Il est important d'éviter les pertes de grains, à savoir que la plus grande partie des grains ne tombe dans les tamis intérieurs avant la section 3.










Sur le KDC8000, il est recommandé en standard d'utiliser le même diamètre de trou sur les deux premières sections intérieures. Des tamis avec des perforations légèrement plus petites sont habituellement utilisés sur les sections 3 - 5.

Néanmoins, la plus grande partie des récoltes doit passer à travers le tamis intérieur de la 1ère à 4ème section.

Il est important d'éviter les pertes de grains, à savoir que la plus grande partie des grains ne tombe dans le tamis intérieur avant la section 5.



En cas de fonctionnement à rendement inférieur, les tamis peuvent être choisis sur le tambour intérieur avec des perforations plus petites de sorte que les impuretés moins surdimensionnées par rapport aux grains soient également triées.

TAMIS INTÉRIEUR									
Tamis perforations sur chaque section (mm) KDC 8000 1 - 2 - 3 - 4 - 5 KDC 4000 1 - 2 - 3	Maïs (corn)	Blé	Orge	Avoine	Seigle	Soja	Tourne sol	Pois	Colza
Ø17/Ø17/Ø15/Ø15/Ø15 Ø17/Ø17/Ø5									
Ø15/Ø15/Ø13/Ø13/Ø13 Ø15/Ø15/Ø11									
Ø13/Ø13/Ø11/Ø11/Ø11 Ø13/Ø13/Ø11									
Ø11/Ø11/Ø9/Ø9/Ø9 Ø11/Ø11/Ø9									
Ø9/Ø9/Ø7,4/Ø7,4/Ø7,4 Ø9/Ø9/Ø7,4									
Ø8/Ø8/Ø7,4/Ø7,4/Ø7,4 Ø8/Ø7,4/Ø7,4									
Ø7,4/Ø7,4/Ø5,2/Ø5,2/Ø5,2 Ø7,4/Ø7,4/Ø5,2									
Ø7/Ø7/Ø5,2/Ø5,2/Ø5,2 Ø7/Ø5,2/Ø5,2									
Ø6,5/Ø6,5/Ø5,2/Ø5,2/Ø5,2 Ø6,5/Ø5,2/Ø5,2									
#5,2/#5,2/Ø4,3/Ø4,3/Ø4,3 #5,2/#5,2/Ø4,3/Ø4,3									
Ø4,3/Ø4,3/Ø3,5/Ø3,5/Ø3,5 Ø4,3/Ø4,3/Ø3,5									
Ø3,5/Ø3,5/#2,75/#2,75/#2,75 Ø3,5/Ø3,5/#2,75									
Perforations oblongues 5x20 (toutes les sections)									
Perforations oblongues 10x30 (toutes les sections)									

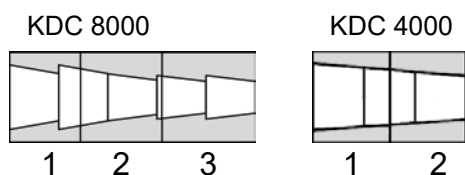
Tamis pour tambour extérieur

Sur les tamis extérieurs, les récoltes passent à travers le tamis alors que les petites impuretés tombent à travers. Ce sont ainsi les dimensions des fentes du tamis extérieur qui déterminent la taille des impuretés retenues.

Pendant le tri, la séparation des récoltes s'effectue sur le tamis extérieur.

Lorsque vous sélectionnez votre tamis, vous devez également prendre en considération la taille des céréales étant donné qu'un tamis présentant des dimensions de fentes trop importantes séparerait également les céréales de petite taille.

Si un tamis extérieur avec des perforations oblongues est utilisé, il est recommandé de prévoir des brosses afin de maintenir les tamis propres. Pour la classification de l'orge de brasserie, les brosses doivent systématiquement être montées (voir section « Accessoires »).



Taille des grains

- Petite
- Moyenne
- Grande

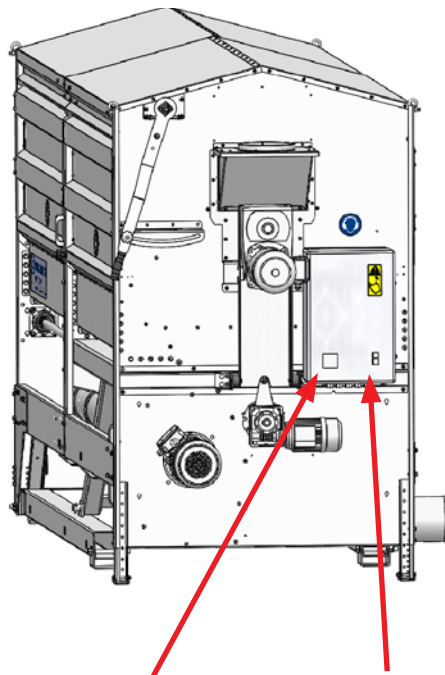
TAMIS EXTÉRIEUR									
Tamis perforations extérieur (mm)	Maïs (corn)	Blé	Orge	Avoine	Seigle	Soja	Tourne sol	Pois	Colza
Perforations oblongues 1,0 x 16,5				●	●				●
Perforations oblongues 1,2 x 16,5				●					●
Perforations oblongues 1,8 x 16,5		●	●				●		
Perforations oblongues 2,0 x 16,5		●	●				●		
Perforations oblongues 2,25 x 16,5		●	●				●		
Perforations oblongues 2,4 x 16,5		●	●						
Perforations oblongues 2,5 x 16,5			●						
Perforations oblongues 2,65 x 16,5						●			
Perforations oblongues 4,0 x 16,5						●		●	
Perforations oblongues 4,3 x 16,5						●		●	
Perforations oblongues 4,5 x 16,5						●		●	
Perforations oblongues 5,0 x 20,0	●								
Perforations carrées 2,75		●	●		●				
Perforations carrées 5,2	●								
Perforations carrées 6,0	●								
Perforations carrées Ø2,0		●	●	●	●				
Perforations carrées Ø3,5						●		●	
Perforations carrées Ø4,5	●					●		●	
Perforations carrées Ø7,0	●								
Perforations carrées Ø7,4	●								
Perforations carrées Ø9,5	●								
Pas de perforations*									

*: Des tamis aveugles sont employés si vous souhaitez uniquement utiliser des tamis intérieurs perforés, à savoir pour l'élimination des grandes impuretés et la fonction aspiration du nettoyeur.

Fonctionnement :

Démarrage / arrêt

Le nettoyeur est démarré et arrêté sur l'interrupteur principal situé sur l'armoire de commande au niveau de la plaque d'extrémité.



L'interrupteur principal Start/stop contact

Choix de tamis

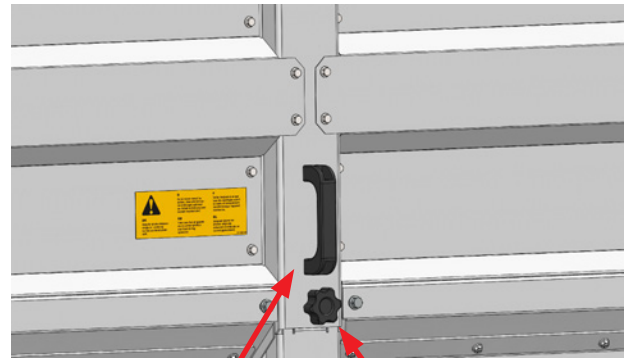
Afin d'obtenir un nettoyage optimal il est important d'utiliser des tamis ayant une dimension de perforations correcte. (voir gamme de tamis).

Ouverture du nettoyeur pour le remplacement/nettoyage de la grille

Le panneau latéral s'ouvre en tournant la vis moletée dans le sens antihoraire, après quoi le panneau latéral est soulevé vers l'extérieur et vers le haut avec la poignée de levage en position horizontale. Les vérins à gaz maintiennent le panneau latéral en position ouverte.

Pour fermer le panneau latéral, tirez sur le panneau jusqu'à ce qu'il soit fermé et tournez la vis moletée à fond dans le sens horaire.

Si la vis moletée est tournée alors que le nettoyeur est en fonctionnement, le capteur magnétique déconnecte tous les moteurs du nettoyeur. Le nettoyeur doit alors être redémarré depuis l'interrupteur de démarrage lorsque le panneau latéral est refermé.



Poignée de levage

Vis moletée

Remplacement des tamis

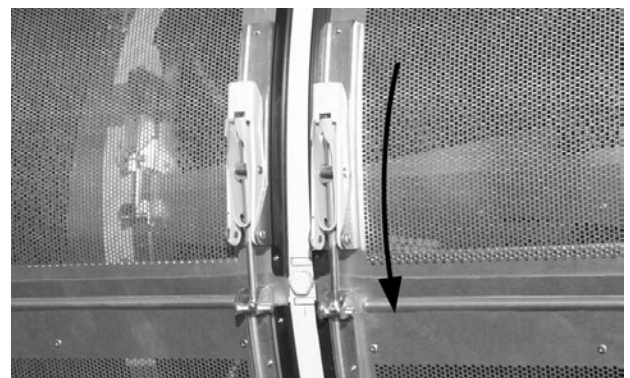
Toujours arrêter le nettoyeur avant d'ouvrir les panneaux latéraux.

Les panneaux latéraux sont dotés de contacts magnétiques qui éteignent le nettoyeur lorsque les panneaux latéraux sont ouverts, agissant ainsi comme un interrupteur de sécurité. Lors du changement de tamis avec les panneaux latéraux ouverts, le tambour du tamis peut uniquement être tourné manuellement. Le tambour tourne tellement facilement qu'il peut être retourné en poussant le tambour depuis le côté du nettoyeur.

Toujours utiliser des gants lors du remplacement des tamis. Les tamis peuvent comporter des angles vifs.

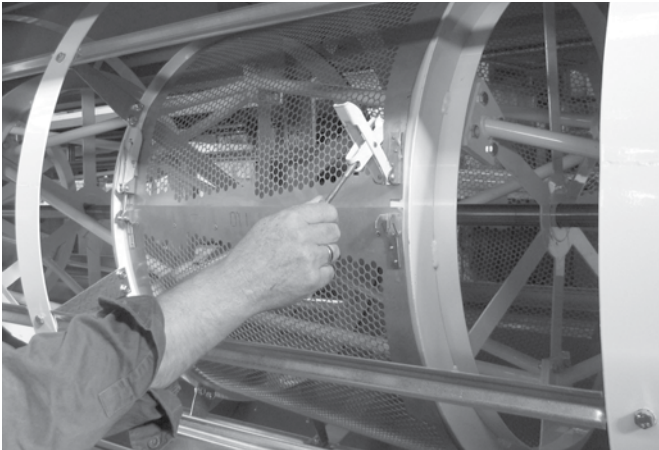
Le remplacement des tamis se fait plus aisément du côté droit du nettoyeur séparateur (vu de la sortie).

Les tamis intérieur et extérieur possèdent tous les deux un système d'attache rapide pour permettre un remplacement aisé. Tourner la poignée du système d'attache rapide dans le sens indiqué. Assurez-vous que les grilles sont bien ajustées autour du tambour.



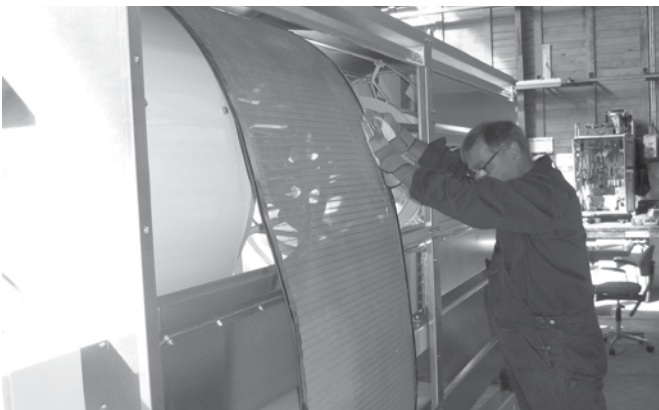
Installation du tamis intérieur

On installe le tamis intérieur en le guidant autour du tambour, et en tournant le tambour pour pouvoir serrer les attaches rapides.



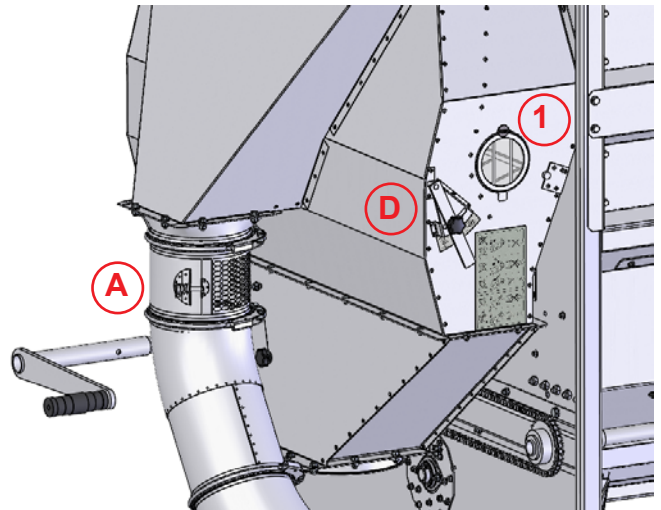
Installation du tamis extérieur

Le remplacement du tamis extérieur se fait facilement du côté droit du nettoyeur (vu de l'entrée). Le tamis extérieur se met en plaçant l'extrémité opposée de l'attache rapide sous le nettoyeur. Le profil U est accroché sur la barre du tambour, à l'extrémité du tamis avec l'attache rapide. Le tambour est tourné, empêchant le serrage des attaches comme indiqué. Le nettoyeur a deux tamis extérieurs.

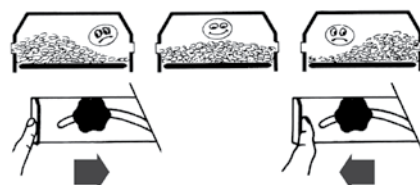


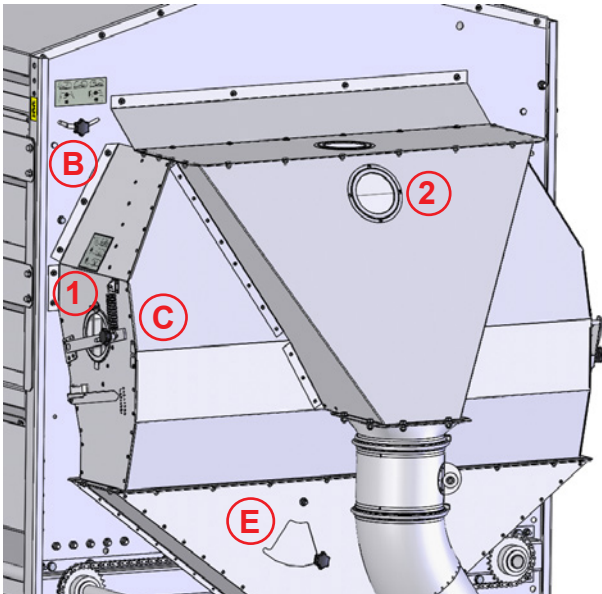
Réglage du nettoyeur à air

1. Ouvrir entièrement le clapet rotatif en appuyant sur le ressort et en tournant le clapet rotatif.

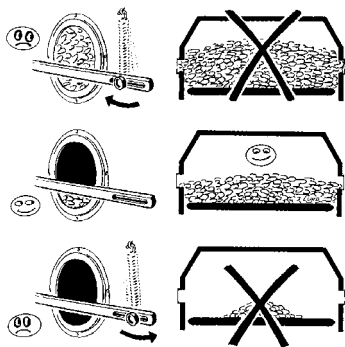


2. Régler les plaques de guidage à l'aide de la poignée (B), de sorte que la hauteur de la couche de grains soit égale dans les deux côtés du nettoyeur à air. Ceci peut être vérifié à travers la vitre d'inspection (1) sur les côtés. Desserrer la vis papillon, l'introduire dans la position souhaitée et la serrer.





3. Régler le dispositif à ressort (C) du « volet des céréales » si bien que le volet ne s'ouvre pas jusqu'à ce que des céréales se trouvent sur toute sa largeur. Ceci peut être vérifié à travers la vitre d'inspection (2) sur les côtés. Desserrer la vis papillon, placer sur la position souhaitée et serrer. Comme point de départ, la vis doit être placée au centre pour le blé et l'orge. Pour des récoltes plus légères, déplacer la vis papillon vers la gauche et pour des récoltes plus lourdes, déplacer la vis vers la droite. Lorsque le nettoyeur fonctionne, les récoltes sont contrôlées conformément à l'illustration. Le dispositif à ressort détermine la durée pendant laquelle les céréales demeurent dans la chambre d'aspiration.



4. Régler le passage d'air dans la chambre d'aspiration à l'aide de la poignée (D) afin d'éviter que trop de graines entières soient aspirées en même temps.

Ceci peut être contrôlé de la manière suivante:

- 4.1 S'il y a trop de graines entières dans le refus, elles feront du bruit dans la soufflerie et la tuyauterie.
 - 4.2 Recueillir le refus après le cyclone de dé poussiérage et contrôler qu'il n'y a pas trop de graines entières.
 - 4.3 On peut également contrôler le refus à travers la fenêtre à l'arrière du nettoyeur à air.
5. Lors de grains légers, il peut arriver qu'un trop grand nombre de graines entières soit aspiré, bien que le nettoyeur à air soit réglé à la plus faible capacité d'aspiration. En ce cas, ouvrir le clapet (A).

Contrôle de l'efficacité du nettoyage

Après avoir réglé le KDC et l'avoir fait fonctionner pendant 2 ou 3 minutes, prélever des échantillons pour vérifier si le résultat final souhaité convient. Dévisser le bouton, pousser la manette vers la droite, prélever un échantillon par l'ouverture. Attention aux bords coupants et resserrer la manette après utilisation.

L'échantillonnage peut être effectué sur l'ouverture (E). Desserrer la vis papillon, pousser le clapet rotatif vers la gauche et prélever l'échantillon à travers l'ouverture. Veiller à la présence d'angles vifs et ne pas oublier de fermer le clapet après avoir terminé l'échantillonnage.

Si le nettoyeur est utilisé pour le tri, il est nécessaire qu'il y ait une certaine différence de taille entre les deux récoltes à trier.

Si le triage entre les deux récoltes est trop faible, réduire la capacité et s'il est trop élevé, accroître la capacité. Étant donné que les récoltes varient, il sera toutefois raisonnable de prévoir une petite marge de sécurité.

Si la capacité change, de nouveaux échantillons devront être prélevés. Poursuivre cette méthode jusqu'à ce que le résultat de classement souhaité du produit fini ait été obtenu. Lorsque la capacité correcte paramétrée a été atteinte, il est recommandé de fournir un échantillon du produit fini au distributeur d'aliments à des fins de contrôle étant donné que les tamis test ont une fonction indicative uniquement.

Le triage des échantillons peut s'effectuer au moyen de tamis test (voir section « Accessoires ») ou chez un distributeur de céréales.

Triage d'orge à malter

En triant l'orge à malter, la séparation de petites graines a lieu sur le tamis extérieur.

Lors du triage d'orge à malter, des quantités nettement plus importantes que lors du pré-nettoyage de céréales ordinaires, doivent traverser le tamis extérieur. C'est pourquoi normalement, la capacité du tamis extérieur détermine la capacité du nettoyeur-séparateur.

En général, lors du triage d'orge à malter, on isole les refus des tamis et du nettoyeur à air, car on ne souhaite pas que les petites graines soient mélangées aux impuretés du nettoyeur à air.

Il faut donc démonter la plaque de recouvrement à la sortie (B) de la vis sans fin dans l'auge de fond. Il est dangereux de toucher la vis sans fin en rotation, voir section "Notes d'avertissement" et l'étiquette d'avertissement sur l'auge inférieure.

Utiliser par ex. une soufflerie Kongskilde TRL avec injecteur pour évacuer les petites graines.

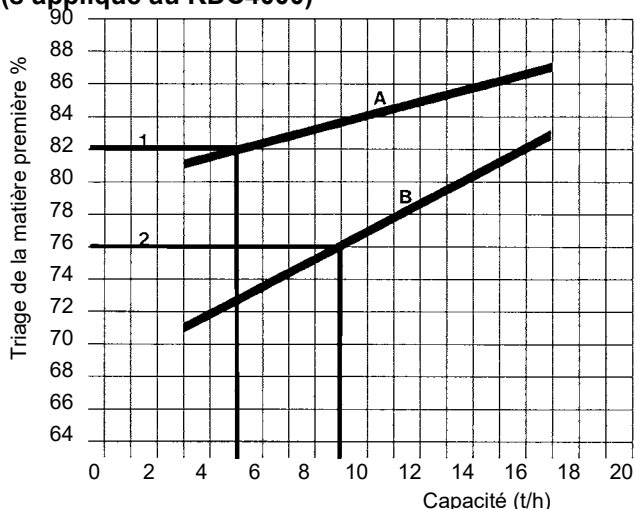
Triage

Frequent, le triage de base lors de la vente d'orge à malter représente un triage avec 90 % de graines > 2,5 mm (au Denmark). Dans la description ci-après, il est supposé que ce triage a eu lieu.

Avant de commencer le triage de l'orge à malter il est bon de connaître le triage de la matière initiale (la matière première). Ce triage est déterminé manuellement à l'aide de plateaux pour prélèvement d'échantillons, ou en faisant procéder à un triage échantillon auprès du négociant en céréales.

Sur la base du triage de la matière première et du tamis extérieur utilisé, on trouvera ci-après la capacité approximative à choisir, afin d'obtenir un triage final de 90 % de graines > 2,5 mm.

Capacités conseillées lors du triage d'orge à malter (s'applique au KDC4000)



(A) Screen 2,5 x 16,5 mm

(B) Screen 2,65 x 16,5 mm

Les capacités conseillées s'appliquent dans les conditions suivantes:

Triage final: 90 % graines > 2,5 mm
Teneur en eau: 14 % maxi (d'orge à malter propre après battage)

Inclinaison du KDC4000: 5°

Inclinaison du KDC8000: 9°

Exemples (s'applique au KDC4000):

1. Triage de la matière première: ..82 %

Triage final souhaité: 90 %

Tamis extérieur: 2,5 x 16,5 mm

Capacité conseillée

selon courbe: 5 t/h

2. Triage de la matière première: ..76 %

Triage final souhaité: 90 %

Tamis extérieur: 2,65 x 16,5 mm

Capacité conseillée

selon courbe: 9 t/h

Si le triage de la matière première se situe en-dessous de la courbe du tamis extérieur utilisé, il faudra deux passages pour obtenir un triage final de 90 %.

Réglage initial du nettoyeur-séparateur

Inclinaison du KDC4000: 5°

Inclinaison du KDC8000: 9°

Tamis intérieur (mm): Ø9 / Ø9 / Ø7,4 / Ø7,4 / Ø7,4

Tamis extérieur (mm): 2,5 x 16,5 ou 2,65 x 16,5

Choix du tamis intérieur

Le choix du tamis intérieur dépend du degré de propreté des grains de battage et de la capacité prévue. Dans certains cas, lorsqu'on dispose de grains convenablement battus, il peut y avoir un avantage à remplacer la deuxième section du tamis intérieur de Ø9 par Ø7,4 et obtenir ainsi des grains plus purs.

Choix du tamis extérieur

Le choix de tamis extérieur dépend de la capacité souhaitée.

Choisir le tamis 2,65 x 16,5 dans les cas où l'on souhaite une capacité élevée.

En choisissant ce tamis il faudra accepter une séparation de 3 - 12 % de bonnes graines, en fonction du triage de la matière première.

Choisir le tamis 2,5 x 16,5 dans les cas où l'on peut accepter une capacité réduite et éventuellement deux passages pour obtenir un triage final de 90 %.

Entretien et intervention:

Paliers

Tous les roulements des moteurs sont lubrifiés à l'usine et n'exigent aucun graissage ultérieur.

Mécanisme pour le tambour de tamis

Le niveau d'huile doit être contrôlé régulièrement et rempli si nécessaire. Vérifier également la présence de fuites dans le mécanisme et l'état des joints d'étanchéité. Remplacer les joints qui fuient.

L'huile est remplie à travers le trou de la vis de purge (en haut), contrôlée à travers le trou de la vis centrale (situé juste au-dessus du moteur) et évacuée à travers le trou de la vis inférieure.

Le réducteur est rempli d'huile synthétique, ISO VG 680, pour un fonctionnement dans des zones de travail -20 à +40 ° C.

L'huile d'engrenage est d'abord remplacée après 300 heures de service, puis tous les 2 ans ou après 10 000 heures de service, par de l'huile minérale. Pour l'huile synthétique, l'intervalle est respectivement tous les 4 ans ou toutes les 20 000 heures de service.

Voir manuel séparé pour l'entraînement par engrenage.

Les types d'huiles synthétiques recommandées VG 680 sont : **Mobil** Glycoil 680 or **Shell** Omala S4 WE 680.

Le réducteur ventile à travers la vis de purge à des fluctuations thermiques.

Le motoréducteur doit être nettoyé si nécessaire afin que le refroidissement ne diminue pas.

Réducteur pour vis

Les réducteurs situés sur les motoréducteurs sont remplis d'huile synthétique de l'usine, ne nécessitant pas de renouvellement. Veiller à l'étanchéité des joints et remplacer ces derniers, le cas échéant.

Type d'huile

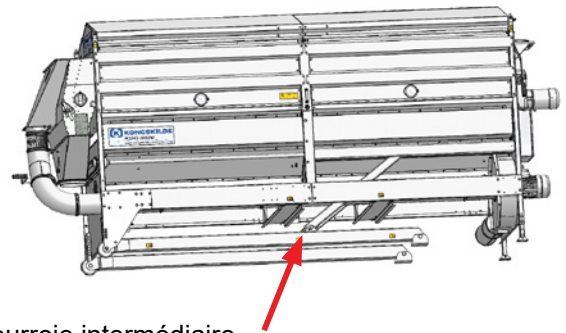
Voir le manuel d'entretien. Ne jamais mélanger de l'huile synthétique et de l'huile minérale. Si vous voulez changer le type d'huile, il faut nettoyer très soigneusement le moto-réducteur.

Vérins à gaz sur les panneaux latéraux.

Les vérins doivent être inspectés et remplacés si nécessaire.

Graissage de la courroie de la vis de fond / paliers principaux du tambour du tamis

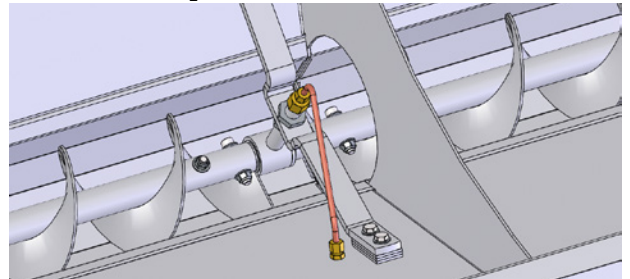
La courroie intermédiaire de la vis de fond se trouve au fond au milieu du nettoyeur.



Courroie intermédiaire

La courroie est en acier galvanisé dans une brosse nylon pour faciliter le graissage.

Le graissage des courroies assure la longévité des brosses en nylon. Il faut graisser la courroie toutes les 40 h de fonctionnement. De préférence prendre de l'huile : Mobiltemp SHC 460 Special ou similaire avec graphite ou/et MoS₂.



Resserrage

Sur une machine neuve, resserrer l'ensemble des vis et boulons après la première journée de service. Par ailleurs, veiller à ce qu'ils soient toujours bien serrés.

Connexion électrique et connexions de câbles

Vérifier les connecteurs se trouvant dans le coffret de commande. Les presse-étoupes doivent être fixes et les fils ne doivent pas être exposés. Vérifier également régulièrement les différents câbles. De plus, contrôlez la bonne fixation des contacts magnétiques au niveau des panneaux latéraux et leur fonctionnement.

Nettoyage

Nettoyer la machine si elle doit être immobilisée pendant un certain temps. Protéger la machine contre la corrosion, et la garder dans un endroit sec, à l'abri de la poussière et de l'humidité. Les vitres d'inspection peuvent être enlevées et essuyées si nécessaire. La fenêtre est retirée en tournant la vis de serrage à 90 ° et en inclinant le cadre vers l'extérieur.

Stockage

Si le nettoyeur-séparateur est utilisé à l'extérieur et immobilisé pendant un certain temps, il est recommandé d'ouvrir les clapets de la vis pour éviter que l'eau ne stagne au fond de la machine.

Caractéristiques techniques:

	KDC 4000	KDC 8000
Capacité maximum, prénettoyage du grain - t/h	40	80
Capacité appr. nettoyage des graines - t/h	8	13
Capacité appr. orge de brasserie - tonnes/heure	5	8
Taille du moteur du tambour du tamis - kW (HP)	1,5 (2,0)	2,2 (3,0)
Moteur du tambour du tamis - t/min	21,9	23
Ventilateur pour taille du moteur de l'aspirateur - kW (HP)	4,0 (5,5)	4,0 (5,5)
Ventilateur pour moteur d'aspirateur - t/min	3.000	3.000
Taille du moteur de l'entraînement de la vis sans fin - kW (HP)	0,75 (1,0)	1,1 (1,5)
Entraînement de la vis sans fin - t/min	450	240
Alimentation électrique du panneau de commande	3x400V / 50 Hz Rated 13,4A	3x400V / 50 Hz Rated 15A
Entrée pour les récoltes	OK200	FK250
Sortie pour les récoltes nettoyées	OK200	FK250
Tuyau de convoyage pour les impuretés	OK200	OK200
Sortie de la vis sans fin	OK160	OK200
Zone de tamis intérieur - m ²	4,1	7,5
Zone de tamis extérieur - m ²	6,5	10
Poids du nettoyeur sans tamis - kg	890	1.425

Des capacités supérieures s'appliquent pour le blé 700 kg/m³.

Dépannage :

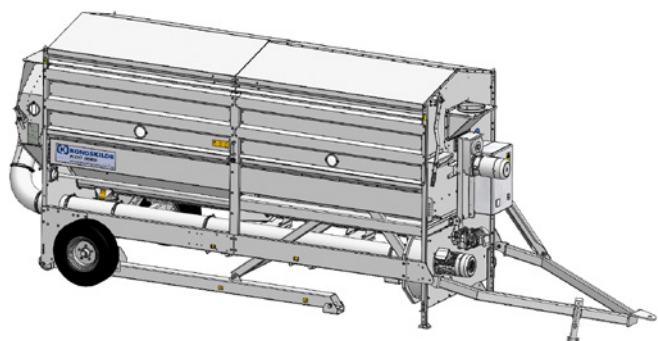
Dysfonctionnement	Cause	Remède
Le nettoyeur ne démarre pas lorsque l'interrupteur de démarrage est actionné	<p>Absence d'alimentation.</p> <p>Panneaux latéraux ouverts.</p> <p>Relais de fusible déconnecté dans l'unité de commande.</p> <p>Dysfonctionnement des contacts magnétiques dans les panneaux latéraux ou fils rompus.</p> <p>Les contacts magnétiques ne ferment pas lorsque les portes sont fermées étant donné que le nettoyeur ne se trouve pas sur une surface plane.</p> <p>Interrupteur de démarrage défectueux</p>	<p>Contrôler et rétablir l'alimentation secteur.</p> <p>Fermer le couvercle et serrer la vis papillon.</p> <p>Reconnecter le coupe-circuit (voir section « Installation électrique »).</p> <p>Remplacer les aimants ou les fils rompus.</p> <p>Vérifier que les vis papillon situées sur les portes peuvent se visser. Lever un ou plusieurs pieds du nettoyeur ou soulever les pieds du dispositif de levage de sorte que les vis papillon puissent être vissées.</p> <p>Remplacer l'interrupteur de démarrage</p>
Le nettoyeur ne s'arrête pas lorsque l'interrupteur d'arrêt est actionné	Interrupteur d'arrêt défectueux	Remplacer l'interrupteur d'arrêt
Les portes latérales du nettoyeur accrochent lors de l'ouverture et de la fermeture ou ne peuvent pas s'ouvrir / se fermer	Le nettoyeur se trouve sur une surface inclinée / inégale	Vérifier que les vis papillon situées sur les portes peuvent se visser. Lever un ou plusieurs pieds du nettoyeur ou soulever les pieds du dispositif de levage de sorte que les vis papillon puissent être vissées
La vis papillon située sur la porte latérale ne peut pas être vissée lorsque la porte est fermée	Le nettoyeur se trouve sur une surface inclinée / inégale	Vérifier que les vis papillon situées sur les portes peuvent se visser. Lever un ou plusieurs pieds du nettoyeur ou soulever les pieds du dispositif de levage de sorte que les vis papillon puissent être vissées
Le tambour, la vis sans fin ou le moteur du ventilateur ne fonctionne pas	<p>Alimentation électrique coupée.</p> <p>Moteur ou réducteur défectueux</p>	<p>Contrôler et rétablir l'alimentation électrique.</p> <p>Remplacer le moteur ou le réducteur</p>
Bruits anormaux provenant du tambour pendant le fonctionnement	<p>Pierres, cailloux et autres corps étrangers présents dans le tambour.</p> <p>Les colliers de serrage rapides prévus sur les tamis se sont ouverts.</p> <p>Tamis disloqué sur le tambour</p>	<p>S'assurer que les récoltes non nettoyées ne contiennent pas de cailloux de grande taille.</p> <p>Fermer correctement le collier de serrage. Contrôler la déformation des colliers de serrage rapides - régler, si nécessaire, en tournant la vis dans l'embrayage.</p> <p>Adapter correctement le tamis</p>

Les récoltes ne sont pas suffisamment nettoyées ou triées	<p>Combinaison sélectionnée incorrecte des perforations de tamis.</p> <p>Perforations de tamis obstruées.</p> <p>Brosses nettoyantes usées.</p> <p>Récoltes humides.</p> <p>La capacité du nettoyeur a été dépassée / une quantité trop importante de récoltes est apportée</p>	<p>Choisir une autre combinaison de tamis.</p> <p>Installer les brosses nettoyantes.</p> <p>Remplacer les brosses nettoyantes.</p> <p>Ajouter les récoltes sèches.</p> <p>Ajouter moins de récoltes</p>
Quantité trop importante de récoltes dans la sortie des déchets du nettoyeur	<p>La capacité du nettoyeur a été dépassée / une quantité trop importante de récoltes est apportée</p> <p>Combinaison sélectionnée incorrecte des perforations de tamis</p>	<p>Ajouter moins de récoltes.</p> <p>Choisir une autre combinaison de tamis</p>
Les tamis ne sont pas nettoyés correctement par les brosses nettoyantes	<p>Poils usés sur les brosses.</p> <p>Coussinets en caoutchouc rompus sur les brosses</p>	Remplacer les brosses

Accessories:

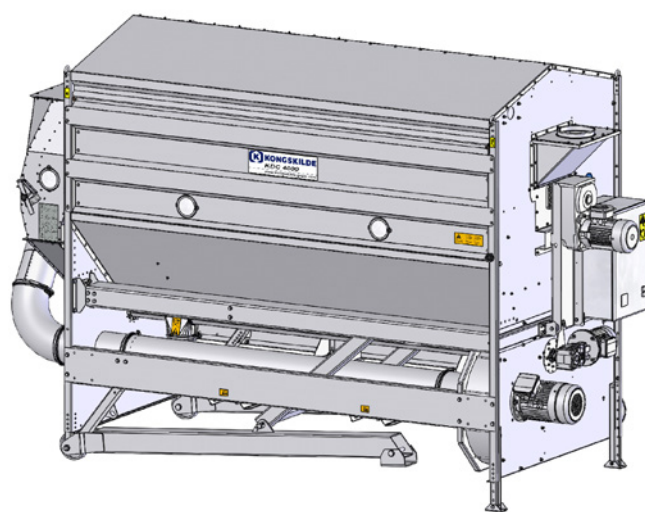
Roues de transport et barre d'attelage - n° de pièce 131082033

Les roues et la barre d'attelage pour le transport derrière un tracteur. A utiliser seulement sur de courtes distances. Respecter le code de la route, la réglementation, et les limites de vitesse pour éviter tout accident.



Dispositif de levage pour KDC4000 - n° de pièce 131081850

Pour un réglage simple en continu de l'inclinaison de l'aspirateur au moyen de deux arbres longitudinaux, tournés par manivelle à l'extrémité d'entrée. L'arrangement de levage est standard sur le KDC8000.

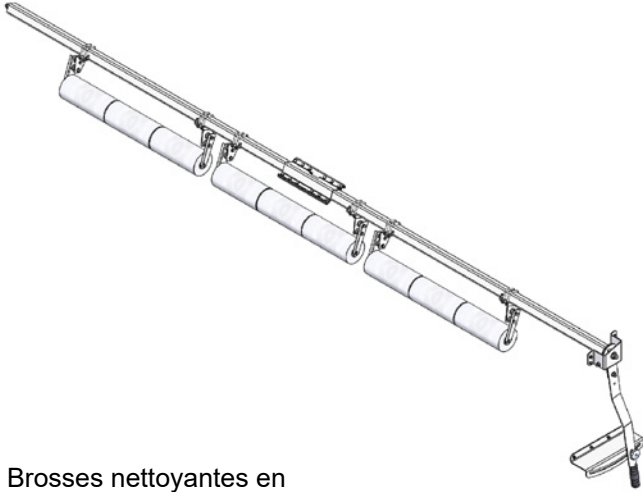


Nettoyage des brosses des tamis extérieurs - n° de pièce 131081810 (KDC4000) / 131082638 (KDC8000)

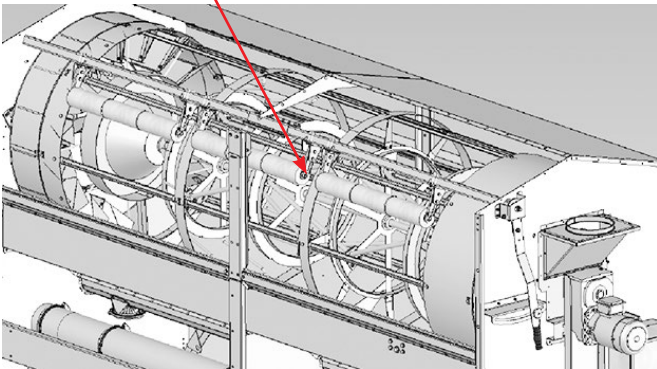
En utilisant les tamis extérieurs à petites ou oblongues perforations pour séparer les grains selon la taille, le tamis extérieur peut se boucher avec les impuretés ou les grains en obstruant la perforation. Pour nettoyer les tamis, il est recommandé d'installer des brosses nettoyantes.

Les brosses sont montées sur des rouleaux qui tournent dans le sens opposé du tambour. Pour certaines grilles extérieures, les brosses ne couvrent pas toute la largeur de la perforation de la grille, qui varie d'un type de grille à l'autre (trous ronds, trous oblongs ou trous carrés, et dimensions différentes). La perforation des grilles extérieures varient en largeur en raison

de la durabilité de la grille et des conditions techniques de production.



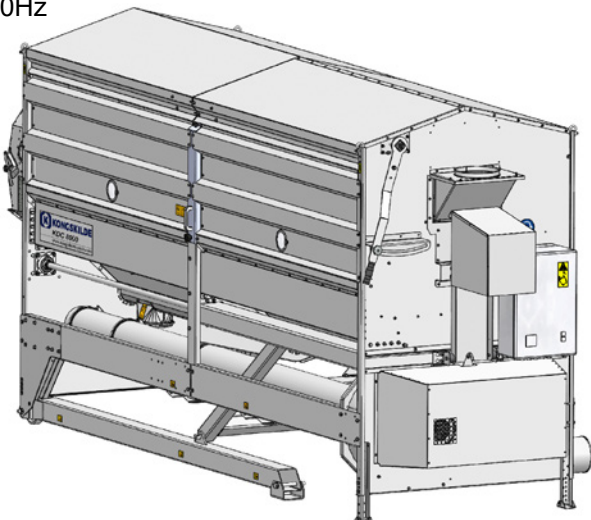
Brosses nettoyantes en haut, côté gauche du nettoyeur



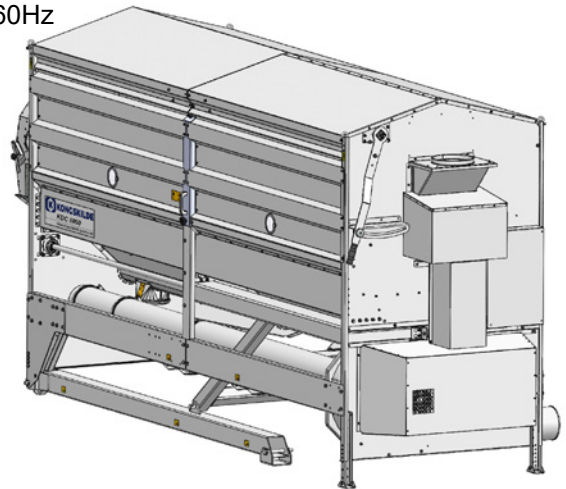
Parepluie pour motoréducteur - n° de pièce 131082639 (50Hz) / 131082642 (60Hz)

Le parepluie protégé le motoréducteur des intempéries en cas d'installation à l'extérieur. Kongskilde propose deux types de parepluies; 1 pour moteur 50Hz et 1 pour moteur 60Hz.

50Hz



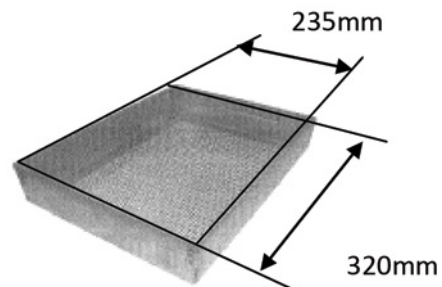
60Hz



Raccord flexible

Pour relier le système de tuyauteries et l'entrée du nettoyeur, un raccord flexible est disponible. On peut ajuster la hauteur du nettoyeur sans démonter la tuyauterie. Le raccord néoprène peut se régler en hauteur et empêche la pénétration de l'eau de pluie. On enlève la plaque d'origine en haut et on la remplace par une nouvelle à l'entrée comme indiqué ci-dessous.

Tamis test



Une gamme de tamis test de différentes perforations est disponible chez Kongskilde. Ils peuvent être utilisés pour faire des tests de nettoyage au préalable, afin de s'assurer du bon choix des tamis.

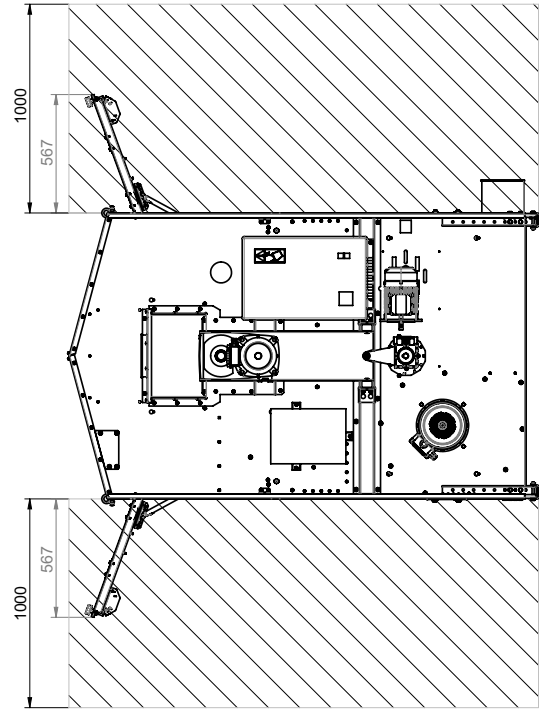
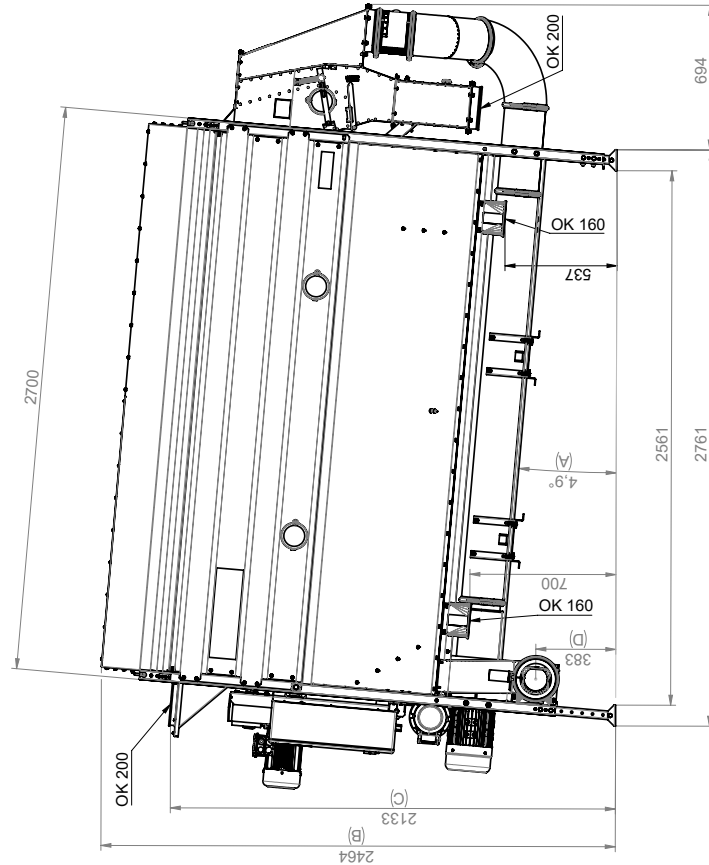
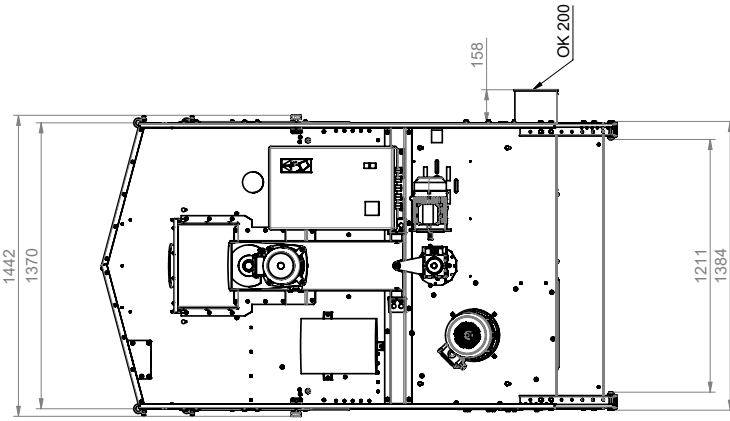
Tamis

Différents diamètres de perforations sont proposés pour les tamis intérieurs et extérieurs. Contacter Kongskilde pour plus amples informations. Voir aussi le chapitre "sélection des tamis"

Tuyauteries pour transport des impuretés

Une large gamme de tuyaux OK200 et de cyclones sont disponibles pour le transport des impuretés à partir du nettoyeur jusqu'à l'endroit de stockage. Différents tuyaux OK 200 pour l'entrée et la sortie sont également proposés.

KDC4000



A (Degrees Tilt)	B (Height)	C (Height to intel)	D (Height to blower)
4.5	2449	2117	368
5	2470	2139	390
6	2513	2185	433
7	2554	2229	476

Kongsild Industri A/S
 Kongsildvej 10
 8260 Århus N
 Denmark
 Email: sales@kongsilde-industries.com
 Web: www.kongsilde-industries.com
KONGSKILDE
 Air solutions | Power solutions

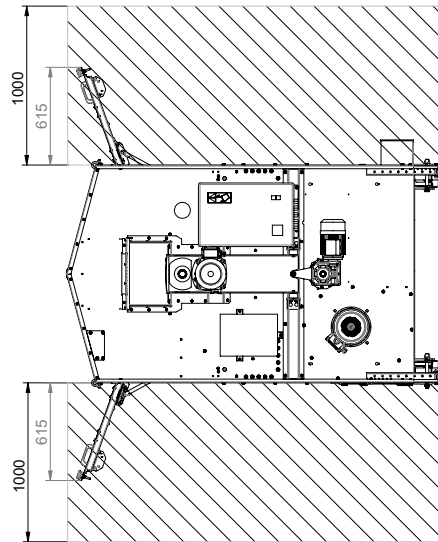
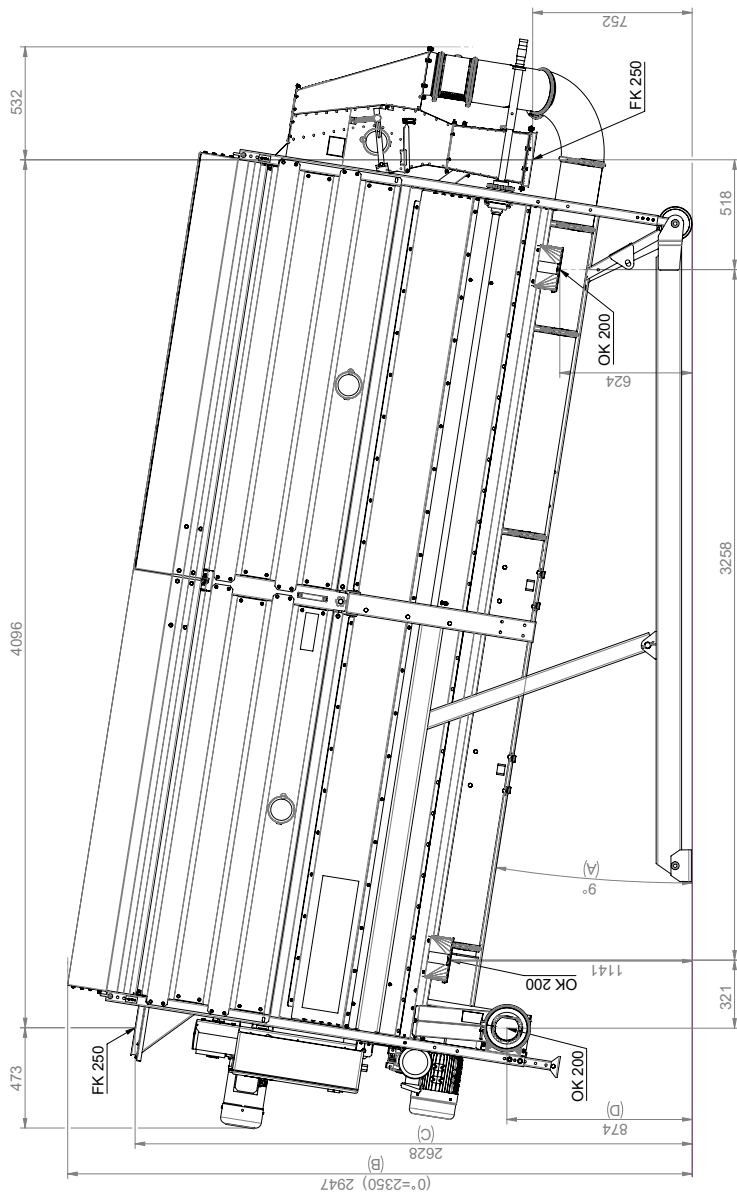
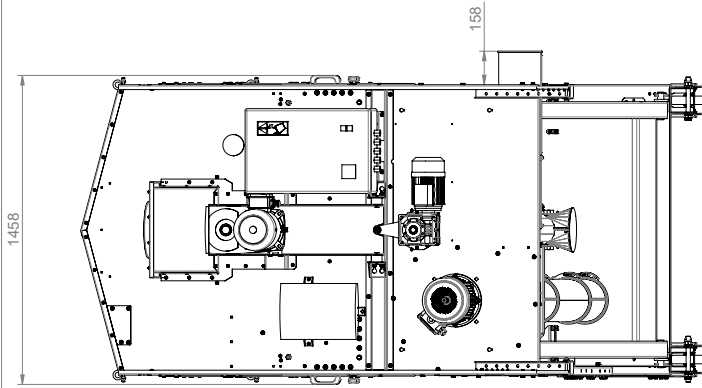
This drawing is strictly confidential and may not be reproduced or presented to any third party without our permission.

Revision no: 02 | **131081905**

☑ KDC 4000 Plus

☑ KDC 4000 Plus

KDC8000



A (Degrees tilt)	B (Height)	C (Height to inlet)	D (Height to blower)
5	2690	2357	607
6	2755	2426	674
7	2820	2494	741
8	2884	2562	808
9	2947	2628	874
10	3009	2694	940
11	3070	2759	1006
12	3130	2823	1072


Kongskilde Industries A/S
 Industrivej 1
 DK-4572 Fårup
 Denmark
 Tel: +45 72 22 00 00
 Fax: +45 72 22 00 01
www.kongskilde.com

 Air solutions / your success

The drawing is a copy of the original and
 may vary without our permission.

Revision nr. 02 | **131082910**

 **KDC 8000 Plus m.ålskitse**

 **KDC 8000 Plus measuring sketch**

Declaration for incorporation of partly completed machinery

Manufacturer Kongskilde Industries A/S
Skælskørvej 64
4180 Sorø
Denmark

Hereby declares that:

The product Denomination: Dual Crop Cleaner Unit
Manufacturer: Kongskilde Industries A/S
Function: Crop cleaning
Commercial name: KDC Plus US
Model: 4000 Plus, 8000 Plus

Conformity Fulfils all the relevant provisions of:

- Machinery Directive 2006/42/EC
- Electro Magnetic Compatibility Directive 2014/30/EC
- Low Voltage Directive 2014/35/EC

The crop cleaning unit must not be put into service until the final machinery into which it is to be incorporated conforms to the provisions in EC's Machinery Directive 2006/42/EC.

The technical documentation is compiled in accordance with part B of Annex VII, and can in response to a reasoned request by the national authorities be transmitted in digital format.

Authorization Authorized to compile the technical file is R&D Manager:

Steen Hansen
Kongskilde Industries A/S
Skælskørvej 64
4180 Sorø

The declaration applies only to the installation of the crop cleaning unit made according to Kongskilde Industries' instructions, and assuming no changes made to the crop cleaner.

Kongskilde Industries A/S
Sorø - 01.12.2020



Jeppe Lund
CEO

Déclaration d'incorporation de quasi-machines

Fabricant Kongskilde Industries A/S
Skælskørvej 64
4180 Sorø
Denmark

Déclare par la présente que:

Du produit La dénomination: Dual Crop Cleaner Unit
Fabricant: Kongskilde Industries A/S
Fonction: Nettoyeur et séparateur
Nom commercial: KDC Plus US
Modèle: 4000 Plus, 8000 Plus

Conformité Remplit toutes les dispositions pertinentes de:

- Directive Machines 2006/42/EC
- Directive sur la Compatibilité Électromagnétique 2014/30/EC
- Directive Basse Tension 2014/35/EC

L'unité de nettoyage des récoltes ne doit pas être mise en service tant que la machine finale dans laquelle elle doit être incorporée n'est pas conforme aux dispositions de la directive 2006/42 / CE relative aux machines.

La documentation technique est établie conformément à la partie B de l'annexe VII et peut en réponse à une demande motivée des autorités nationales soit transmise au format numérique.

Autorisation Le responsable de la R&D est autorisé à constituer le dossier technique:

Steen Hansen
Kongskilde Industries A/S
Skælskørvej 64
4180 Sorø

La déclaration s'applique uniquement à l'installation de l'unité de nettoyage des récoltes selon les instructions de Kongskilde Industries, et en supposant qu'aucun changement n'a été apporté au nettoyeur de récoltes.

Kongskilde Industries A/S
Sorø - 01.12.2020



Jeppe Lund
CEO



Type: KDC 8000

TEKNISKE DATA

- Supply: 400 V, 50Hz, PE
- Systemground: TNS/IT then fault-current-breaker in supply
- Max fuse: 25 A fuse GG
- Nominal current: 15 A
- Simultaneity factor: 1
- Control voltage: 24 VDC
- Environment temperature: 0 - 40 degree C
- Enclosure: IP 54
- Cable in- and out-going: Bottom
- Kongskilde no.: 131082750
- Product no.: 6160400081
- Wiring diagram no.: 6160400081
- Kongskilde order no.: Done
- High voltage test: Done

As wire markings are used terminal markings.

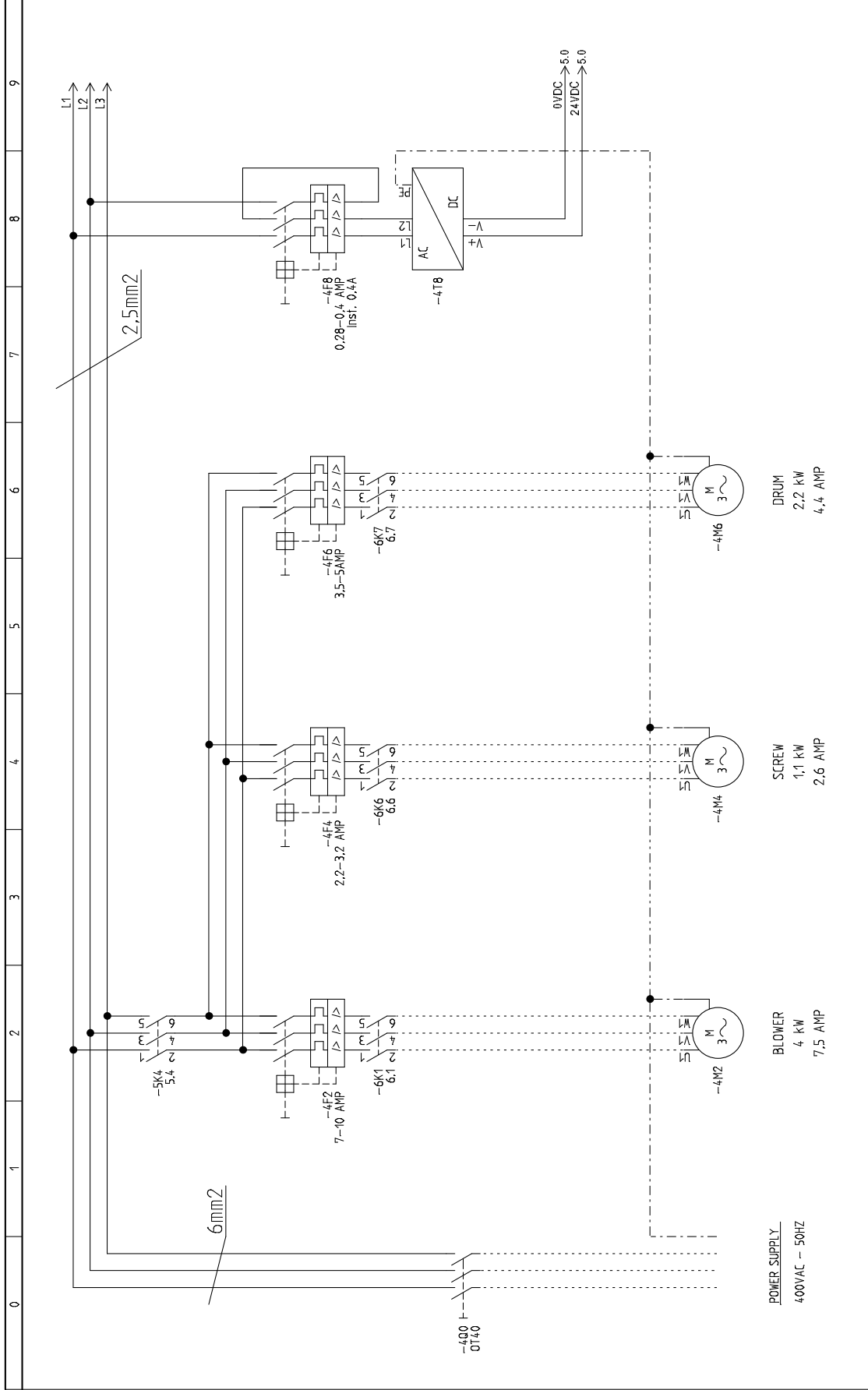
Slutkunde	KDC 8000	Projekt	11-06-20	Side	Funktion	DATA
Land		Oprettet	4	KSC	Placering	KDC 8000
Maskinfabrikant	Kongskilde	Rev.		Oprettet	Tegningsnr.	6160400081-131082750
Tavlefabrikant	Eegholm A/S	Rev. dato	12-10-20	Rev. dato	Ordre	Side 1 af 9
						Næste side 2
						Side 1



ALL RIGHTS RESERVED

0	1	2	3	4	5	6	7	8	9
Slutkunde	KDC 8000		Projekt			Funktion		FRONT VIEW	
Land			Opnrettet	11-06-20		Placering		KDC 8000	
Maskinfabrikant	Kongskilde		Rev.	4		Tegningsnr.		6160400081-131082750	
Tovlefabrikant	Eggholm A/S		Rev. dato	12-10-20		Ordre		Sider i alt 9	
DK-6400 Sønderborg Tel. +45 73 12 12 12 www.eggholm.dk									
Næste side 3 Side 2									
ALL RIGHTS RESERVED									

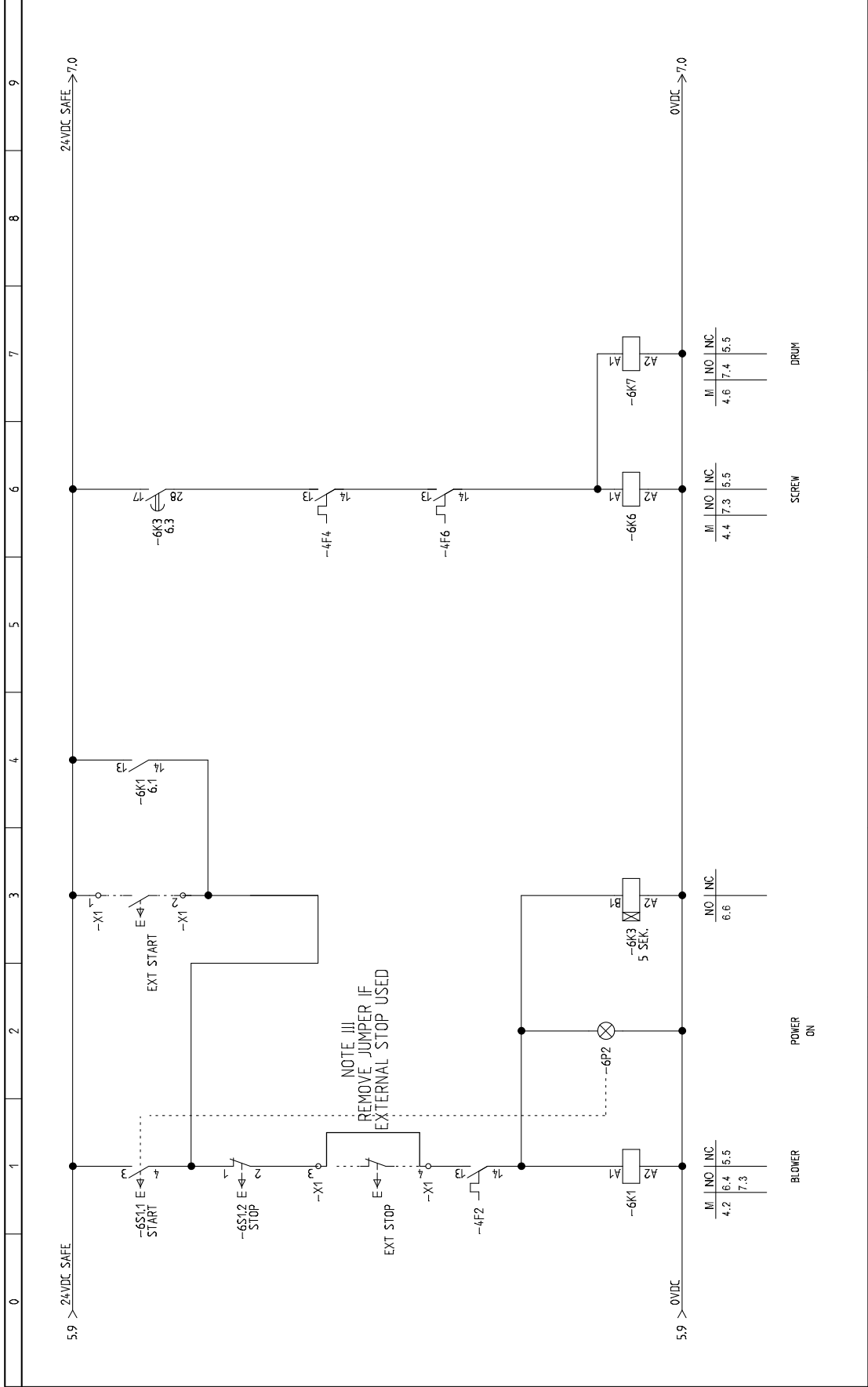
0	1	2	3	4	5	6	7	8	9
Slutkunde	KDC 8000		Projekt	11-06-20		Funktión		DRAWING OF COMPONENTS	
Land			Opřettet	4		Placering		KDC 8000	
Maskefabrikant	Eegholm A/S		Rev.			Tegningssnr.		6160400081-13108275	
Tavlefabrikant	Eegholm A/S		Rev. dato	12-10-20		Ordre		Side 1 af 9	
						Side		Næste side 4	
						Opřettet af		KSC	
						Rev.			
						Opřettet			
						Rev. dato			
						www.eegholm.dk			
						Dr-600 Selskabs		Tel. +45 73 12 12	
						ALL RIGHTS RESERVED			
						Side		3	



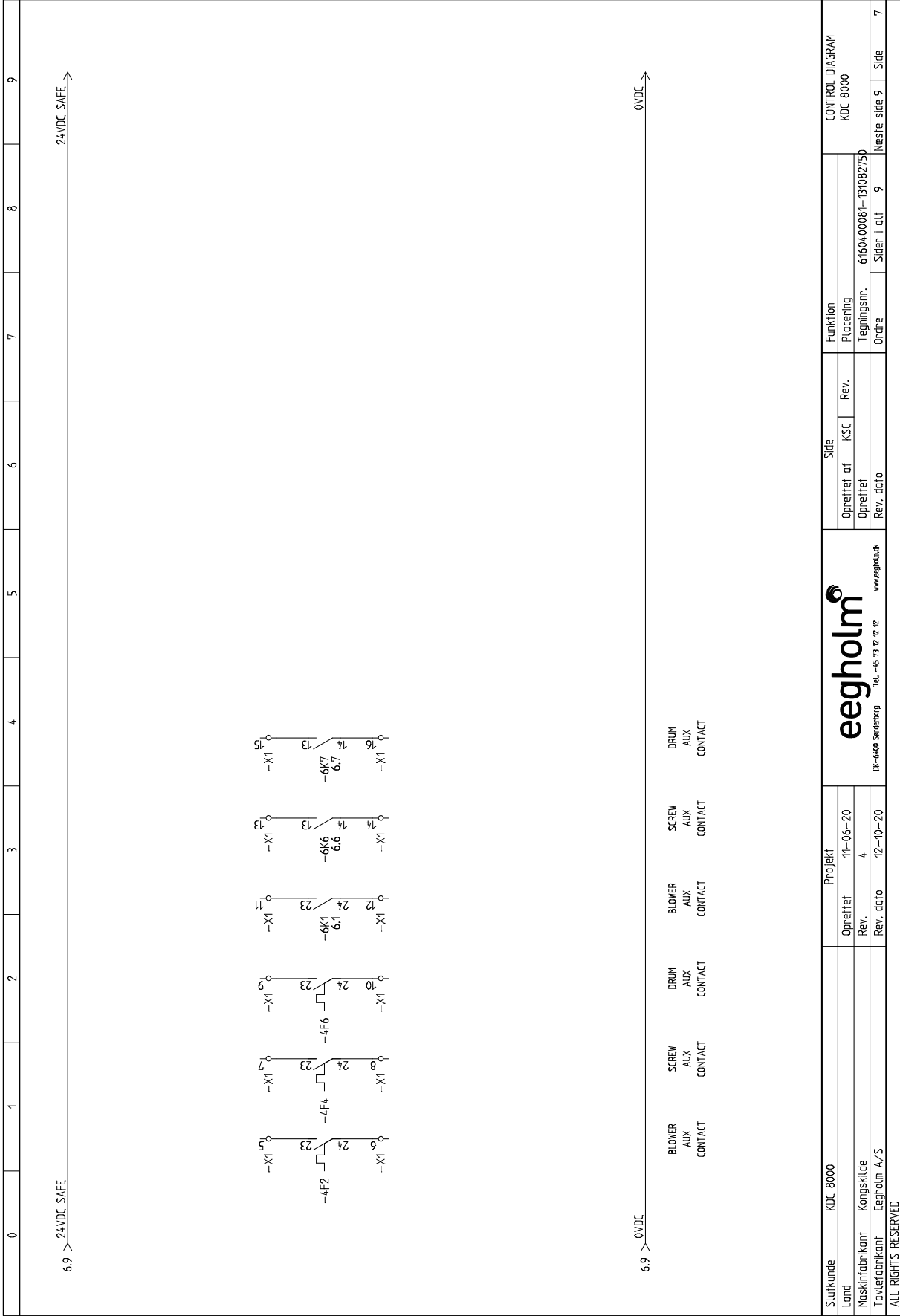
Slutkunde	KDC 8000	Projekt			Funktion		POWER DIAGRAM			
Land		Opnrettet	11-06-20	Rev.	KSC	Placering	KDC 8000			
Maskinfabrikant	Kongskilde	Rev.	4	Opnrettet	6/60400081-13/082750	Tegningsnr.				
Tovlefabrikant	Eegholm A/S	Rev. dato	12-10-20	Rev. dato		Ordre	Sider i alt	9		
ALL RIGHTS RESERVED							Næste side	5	Side	4

eegholm

DK-6000 Sønderborg Tel. +45 73 12 12 12 www.eegholm.dk



Sluttkunde	KDC 8000	Projekt	11-06-20	Funktion	CONTROL DIAGRAM	
Land	Kongskilde	Oprettet	4	Placering	KDC 8000	
Maskinfabrikant	Eegholm A/S	Rev.	12-10-20	Tegningsnr.	61604-00081-131082750	
Tavlerfabrikant	Eegholm A/S	Rev. dato	12-10-20	Ordre	Side 1 dlt 9	Næste side 7
ALL RIGHTS RESERVED						
www.eegholm.dk						
DK-6400 Sønderborg Tel. +45 73 12 12						
www.eegholm.dk						
Side 6						



6.9 > 24VDC SAFE →

6.9 > 0VDC →

Slutkunde	KDC 8000	Projekt	11-06-20		Kontrol Diagram	
Land	København	Oprettet af	KSC	Rev.	KDC 8000	
Maskinfabrikant	Eegholm A/S	Rev.	4		Tegningsnr. 61604.00081-131082750	
Tavlefabrikant	Eegholm A/S	Rev. dato	12-10-20		Ordre	Næste side 9
ALL RIGHTS RESERVED			Rev. dato	9	Side	7



0	1	2	3	4	5	6	7	8	9																																																																
<p>X10</p> <table border="1"> <tr> <td>1</td><td>2</td><td>3</td><td>4</td><td>5</td><td>6</td><td>7</td><td>8</td><td>9</td><td>10</td><td>11</td><td>12</td><td>13</td><td>14</td><td>15</td><td>16</td> </tr> <tr> <td><input type="checkbox"/></td><td><input type="checkbox"/></td><td><input type="checkbox"/></td><td><input type="checkbox"/></td><td><input type="checkbox"/></td><td><input type="checkbox"/></td><td><input type="checkbox"/></td><td><input type="checkbox"/></td><td><input type="checkbox"/></td><td><input type="checkbox"/></td><td><input type="checkbox"/></td><td><input type="checkbox"/></td><td><input type="checkbox"/></td><td><input type="checkbox"/></td><td><input type="checkbox"/></td><td><input type="checkbox"/></td> </tr> <tr> <td><input type="checkbox"/></td><td><input type="checkbox"/></td><td><input type="checkbox"/></td><td><input type="checkbox"/></td><td><input type="checkbox"/></td><td><input type="checkbox"/></td><td><input type="checkbox"/></td><td><input type="checkbox"/></td><td><input type="checkbox"/></td><td><input type="checkbox"/></td><td><input type="checkbox"/></td><td><input type="checkbox"/></td><td><input type="checkbox"/></td><td><input type="checkbox"/></td><td><input type="checkbox"/></td><td><input type="checkbox"/></td> </tr> <tr> <td><input type="checkbox"/></td><td><input type="checkbox"/></td><td><input type="checkbox"/></td><td><input type="checkbox"/></td><td><input type="checkbox"/></td><td><input type="checkbox"/></td><td><input type="checkbox"/></td><td><input type="checkbox"/></td><td><input type="checkbox"/></td><td><input type="checkbox"/></td><td><input type="checkbox"/></td><td><input type="checkbox"/></td><td><input type="checkbox"/></td><td><input type="checkbox"/></td><td><input type="checkbox"/></td><td><input type="checkbox"/></td> </tr> </table>										1	2	3	4	5	6	7	8	9	10	11	12	13	14	15	16	<input type="checkbox"/>	<input type="checkbox"/>	<input type="checkbox"/>	<input type="checkbox"/>	<input type="checkbox"/>	<input type="checkbox"/>	<input type="checkbox"/>	<input type="checkbox"/>	<input type="checkbox"/>	<input type="checkbox"/>	<input type="checkbox"/>	<input type="checkbox"/>	<input type="checkbox"/>	<input type="checkbox"/>	<input type="checkbox"/>	<input type="checkbox"/>	<input type="checkbox"/>	<input type="checkbox"/>	<input type="checkbox"/>	<input type="checkbox"/>	<input type="checkbox"/>	<input type="checkbox"/>	<input type="checkbox"/>	<input type="checkbox"/>	<input type="checkbox"/>	<input type="checkbox"/>	<input type="checkbox"/>	<input type="checkbox"/>	<input type="checkbox"/>	<input type="checkbox"/>	<input type="checkbox"/>	<input type="checkbox"/>	<input type="checkbox"/>	<input type="checkbox"/>	<input type="checkbox"/>	<input type="checkbox"/>	<input type="checkbox"/>	<input type="checkbox"/>	<input type="checkbox"/>	<input type="checkbox"/>	<input type="checkbox"/>	<input type="checkbox"/>	<input type="checkbox"/>	<input type="checkbox"/>	<input type="checkbox"/>	<input type="checkbox"/>	<input type="checkbox"/>	<input type="checkbox"/>
1	2	3	4	5	6	7	8	9	10	11	12	13	14	15	16																																																										
<input type="checkbox"/>	<input type="checkbox"/>	<input type="checkbox"/>	<input type="checkbox"/>	<input type="checkbox"/>	<input type="checkbox"/>	<input type="checkbox"/>	<input type="checkbox"/>	<input type="checkbox"/>	<input type="checkbox"/>	<input type="checkbox"/>	<input type="checkbox"/>	<input type="checkbox"/>	<input type="checkbox"/>	<input type="checkbox"/>	<input type="checkbox"/>																																																										
<input type="checkbox"/>	<input type="checkbox"/>	<input type="checkbox"/>	<input type="checkbox"/>	<input type="checkbox"/>	<input type="checkbox"/>	<input type="checkbox"/>	<input type="checkbox"/>	<input type="checkbox"/>	<input type="checkbox"/>	<input type="checkbox"/>	<input type="checkbox"/>	<input type="checkbox"/>	<input type="checkbox"/>	<input type="checkbox"/>	<input type="checkbox"/>																																																										
<input type="checkbox"/>	<input type="checkbox"/>	<input type="checkbox"/>	<input type="checkbox"/>	<input type="checkbox"/>	<input type="checkbox"/>	<input type="checkbox"/>	<input type="checkbox"/>	<input type="checkbox"/>	<input type="checkbox"/>	<input type="checkbox"/>	<input type="checkbox"/>	<input type="checkbox"/>	<input type="checkbox"/>	<input type="checkbox"/>	<input type="checkbox"/>																																																										
Slutfkunde	KDC 8000	Projekt		TERMINALS		KDC 8000																																																																			
Land		Oprettet	11-06-20	Oprettet af	KSC	Rev.	11-06-2020	Funktion	Placering																																																																
Maskinfabrikant	Kongskilde	Rev.	4	Oprettet	61604.00081-131082750	Rev.	61604.00081-131082750	Ordre	Ordre																																																																
Tavlefabrikant	Eegholm A/S	Rev. dato	12-10-20	Rev. dato	Sider i alt	Rev. dato	Sider i alt	Næste side	Side																																																																
<p style="text-align: center;">eegholm DK-4600 Sønderborg Tel. +45 73 12 12 12 www.eegholm.dk</p>																																																																									
ALL RIGHTS RESERVED																																																																									

Kongskilde Industries A/S
Skælskørvej 64
DK - 4180 Sorø
Tel. +45 72 17 60 00
mail@kongskilde-industries.com
www.kongskilde-industries.com
www.kongskilde-grain.com