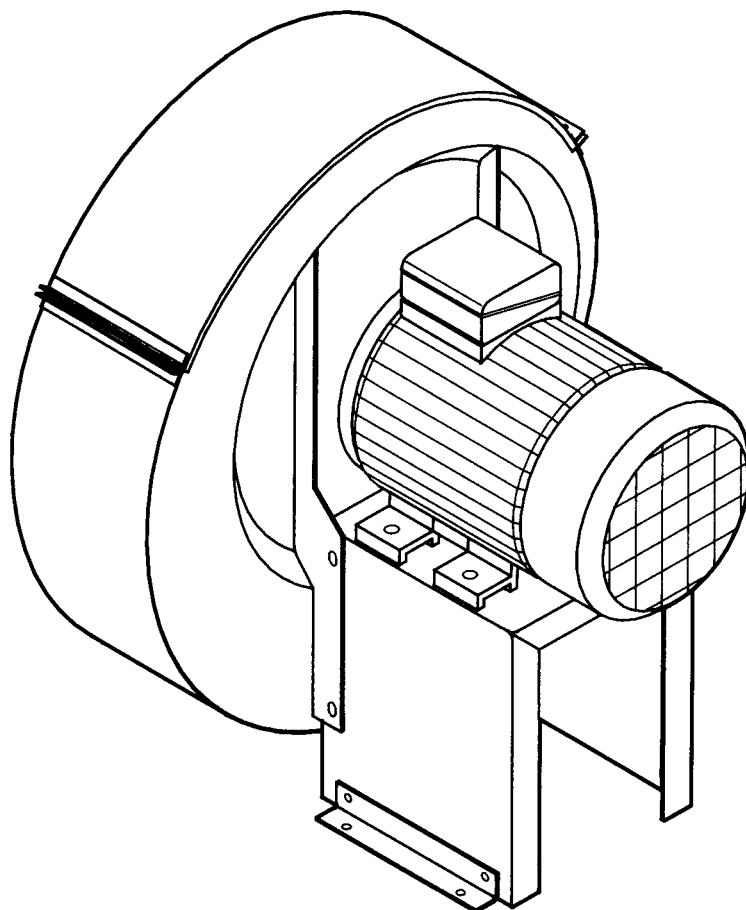


FRL 55

Centrifugal blower



Spare parts list

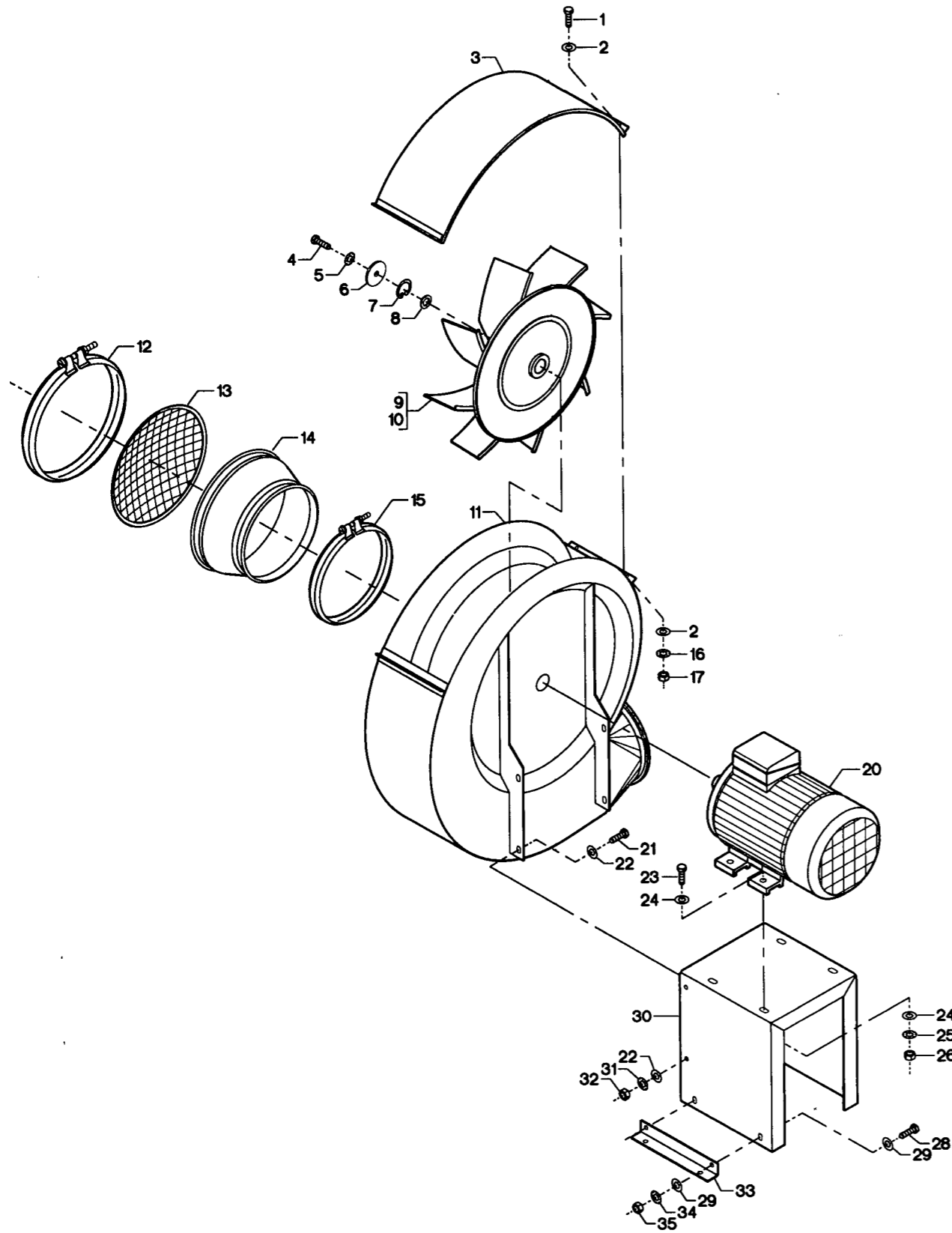


Fig.	Part no.	Pieces	Notes
1	100 308 025	4	Set screw M6 x 25 mm
2	100 331 004	8	Flat washer M6
3	131 080 075	1	
4	100 306 031	1	Steel bolt M10 x 35 mm
5	100 332 004	1	Star washer M10
6	121 000 060	1	Flat washer $\phi 53/11 \times 3$ mm
7	100 407 001	1	Circlip $\phi 28 \times 1.2$ mm
8	121 000 027	1	Flat washer $\phi 27.8/17 \times 2$ mm
9	131 080 236	1	Rotor, 50 Hz
10	131 080 129	1	Rotor, 60 Hz
11	131 080 070	1	
12	122 000 701	1	Clamp with screw OK250
13	131 020 088	1	
14	122 050 146	1	
15	122 050 110	1	Clamp with screw OK200
16	100 332 002	4	Star washer M6
17	100 315 028	4	Nut M6
20	100 501 089	1	Motor 112 M2 4 kW B3, 50 Hz
21	100 306 015	4	Set screw M8 x 20 mm
22	100 331 005	8	Flat washer M8
23	100 306 031	4	Steel bolt M10 x 35 mm
24	100 331 006	8	Flat washer M10
25	100 332 004	4	Star washer M10
26	100 315 013	4	Nut M10
28	100 306 015	4	Set screw M8 x 20 mm
29	100 331 005	8	Flat washer M8
30	131 080 079	1	
31	100 332 003	4	Star washer M8
32	100 315 012	4	Nut M8
33	131 080 082	2	
34	100 332 003	4	Star washer M8
35	100 315 012	4	Nut M8

Kongskilde Industries A/S

Skælskørvej 64

DK - 4180 Sorø

Tel. +45 72 17 60 00

mail@kongskilde-industries.com

www.kongskilde-industries.com