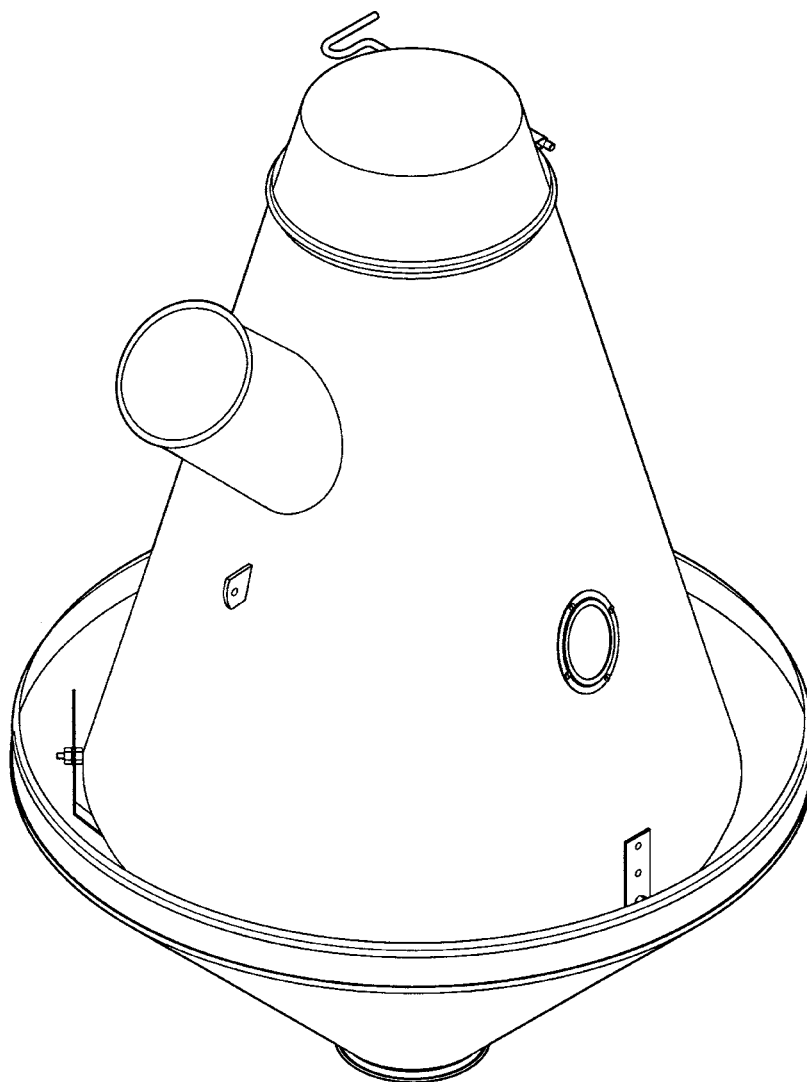


KF 12, 20, 40 & 60

Aspirator pre-cleaners



Spare parts list

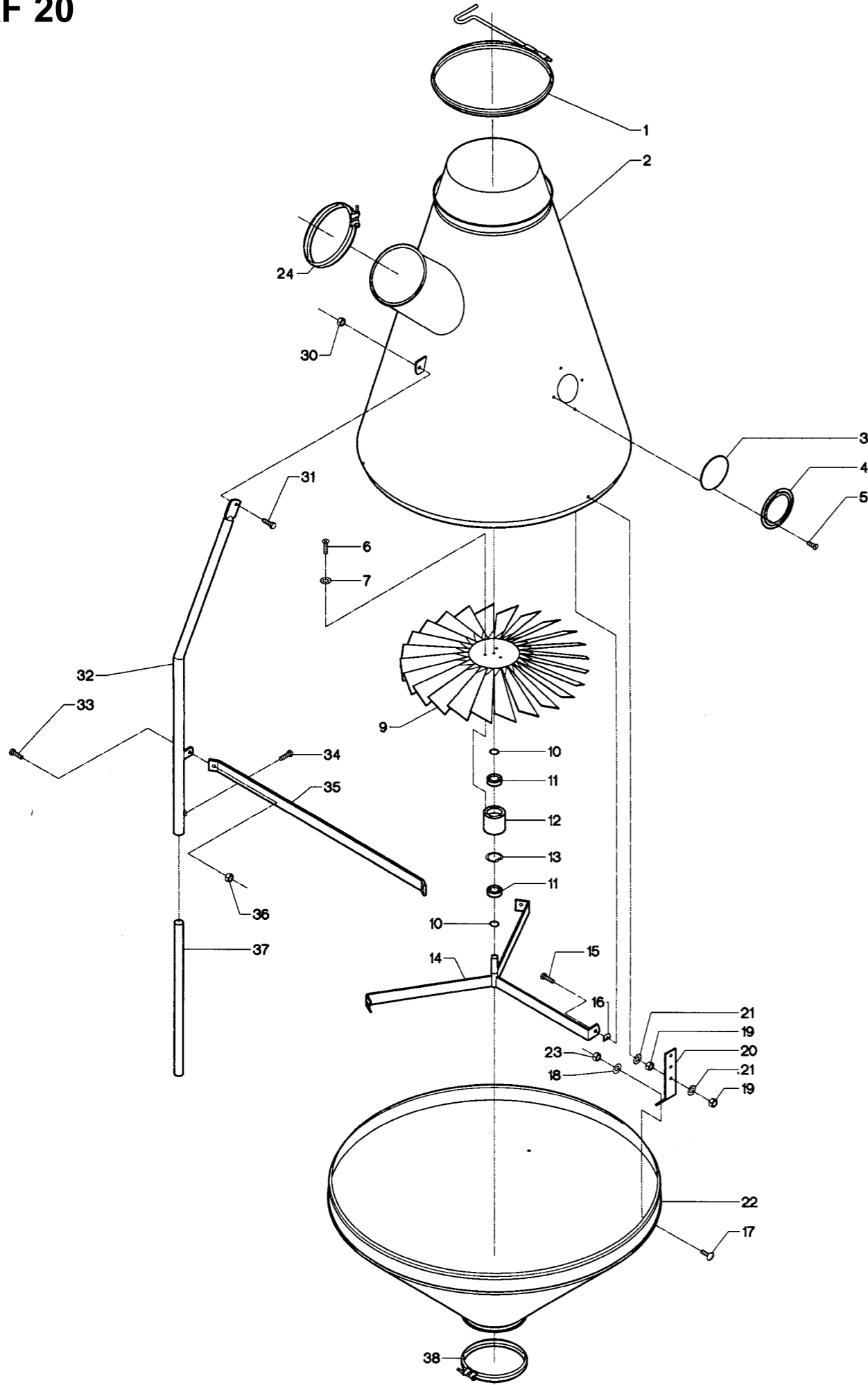


Fig.	Part no.	Pieces	Notes
1	122 000 603	1	Clamp with screw OK250
2	131 020 032	1	Aspirator cone
3	121 000 090	1	Transparent inspection window
4	121 000 089	1	Inspection window retainer
5	100 323 011	4	Self-tapping screw Ø4,2 x 8mm
6	100 321 010	3	Torx screw M5 x 12 mm
7	100 332 001	3	Star washer M5
9	131 020 039	1	Distributor rotor
10	100 407 028	2	Circlip UV Ø15 x 1 mm
11	100 401 055	2	Ball bearing # 6202-2RS 1
12	131 020 126	1	Bearing housing
13	100 407 002	1	Circlip IK Ø35 x 1,5 mm
14	131 020 040	1	Bar for bottom hopper
15	100 308 032	3	Set screw M8 x 35 mm
16	131 020 061	3	Bracket for distributor rotor
17	100 311 000	3	Coach bolt M6 x 15 mm
18	100 331 004	3	Flat washer M6
19	100 315 012	3	Nut M8
20	131 020 048	3	Bracket for bottom hopper
21	100 332 003	6	Star washer M8
22	131 020 044	1	Bottom hopper
23	100 316 002	3	Nut M6
24	122 000 857	2	Bolt clamp OK160
CPL	131 020 000	1	Complete no, includes pos. 1 to 24
30	100 315 013	3	Nut M10
31	100 306 029	3	Set screw M10 x 25 mm
32	131 020 070	3	Upper leg for aspirator (NA)
33	100 306 030	3	Set screw M10 x 30 mm
34	100 308 004	3	Set screw M10 x 20 mm
35	131 020 065	3	Stiffener for legs
36	100 315 013	3	Nut M10
37	131 010 080	3	Lower leg for aspirator (NA)
CPL	131 040 060	3	Complete no, includes pos. 32, 34 and 37
CPL	131 020 001	1	Complete no, includes pos. 30 to 37
38	122 000 857	1	Bolt clamp OK160

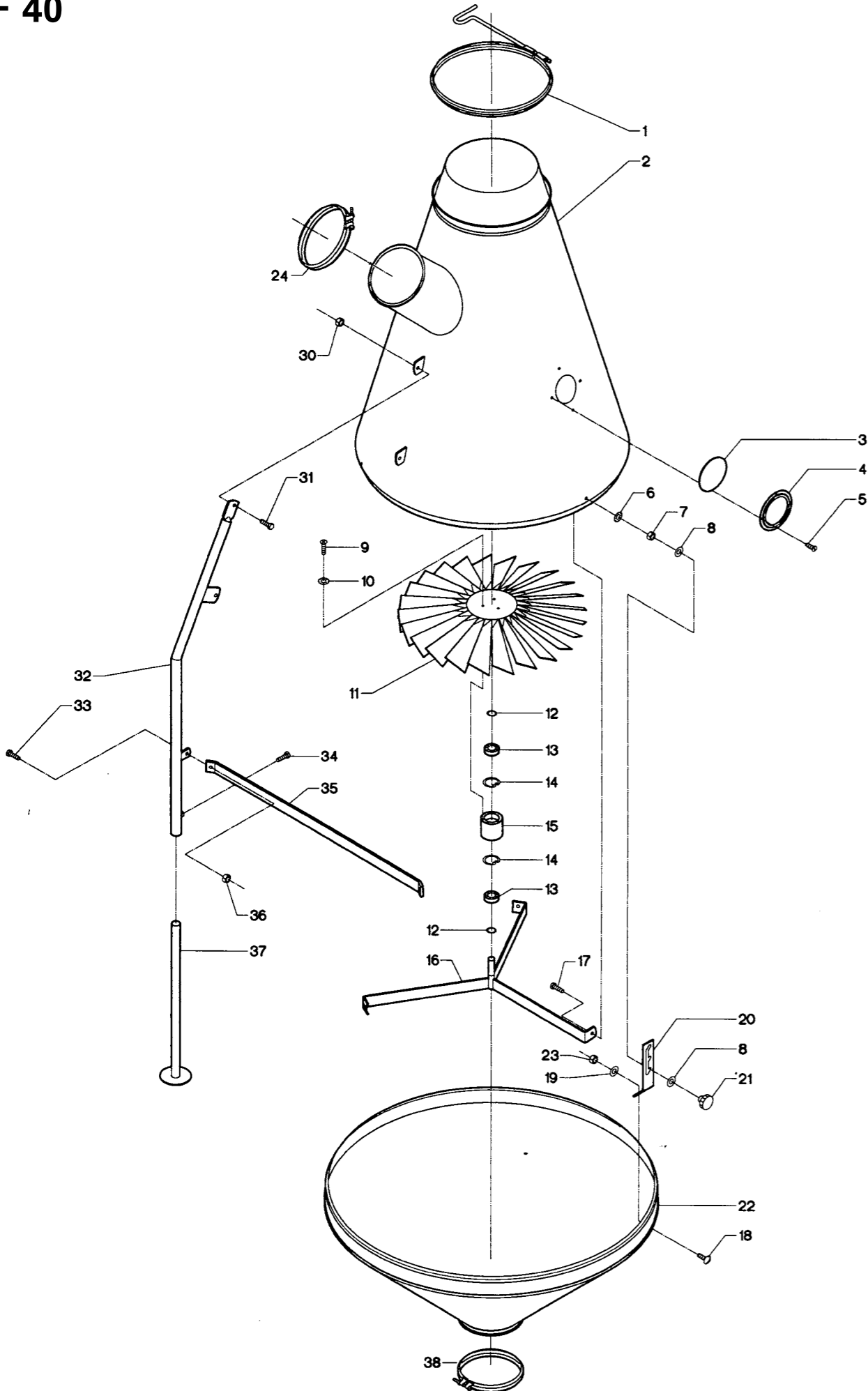


Fig.	Part no.	Pieces	Notes
1	131 040 049	1	Clamp with screw OK375
2	131 040 027	1	Aspirator cone
3	121 000 090	1	Transparent inspection window
4	121 000 089	1	Inspection window retainer
5	100 323 011	4	Self-tapping screw Ø4,2 x 8mm
6	100 332 004	3	Star washer M10
7	100 315 013	3	Nut M10
8	100 331 053	6	Flat washer Ø10,5/30 x 2,5 mm
9	100 321 015	3	Torx screw M6 x 16 mm
10	100 332 002	3	Star washer M6
11	131 040 000	1	Distributor rotor
12	100 407 011	2	Circlip U Ø20 x 1,2 mm
13	100 401 002	2	Ball bearing # 6204-2RS
14	100 407 005	2	Circlip IK Ø48 x 1,75 mm
15	131 040 154	1	Bearing housing
16	131 040 033	1	Bar for bottom hopper
17	100 308 037	3	Set screw M10 x 40 mm
18	100 311 016	3	Coach bolt M8 x 20 mm
19	100 331 005	3	Flat washer M8
20	131 040 014	3	Bracket for bottom hopper
21	100 414 039	3	Star handle M10
22	131 040 009	1	Bottom hopper
23	100 315 012	3	Nut M8
24	122 050 110	1	Bolt clamp OK200
CPL	131 040 001	1	Complete no, includes pos. 1 to 24
30	100 315 013	6	Nut M10
31	100 306 029	6	Set screw M10 x 25 mm
32	131 040 065	3	Upper leg for aspirator (NA)
33	100 306 030	3	Set screw M10 x 30 mm
34	100 304 030	3	Set screw M12 x 20 mm
35	131 041 060	3	Stiffener for legs
36	100 315 013	3	Nut M10
37	131 040 061	3	Lower leg for aspirator (NA)
CPL	131 040 060	3	Complete no, includes pos. 32, 34 and 37
CPL	131 040 002	1	Complete no, includes pos. 30 to 37
38	122 000 857	1	Bolt clamp OK160

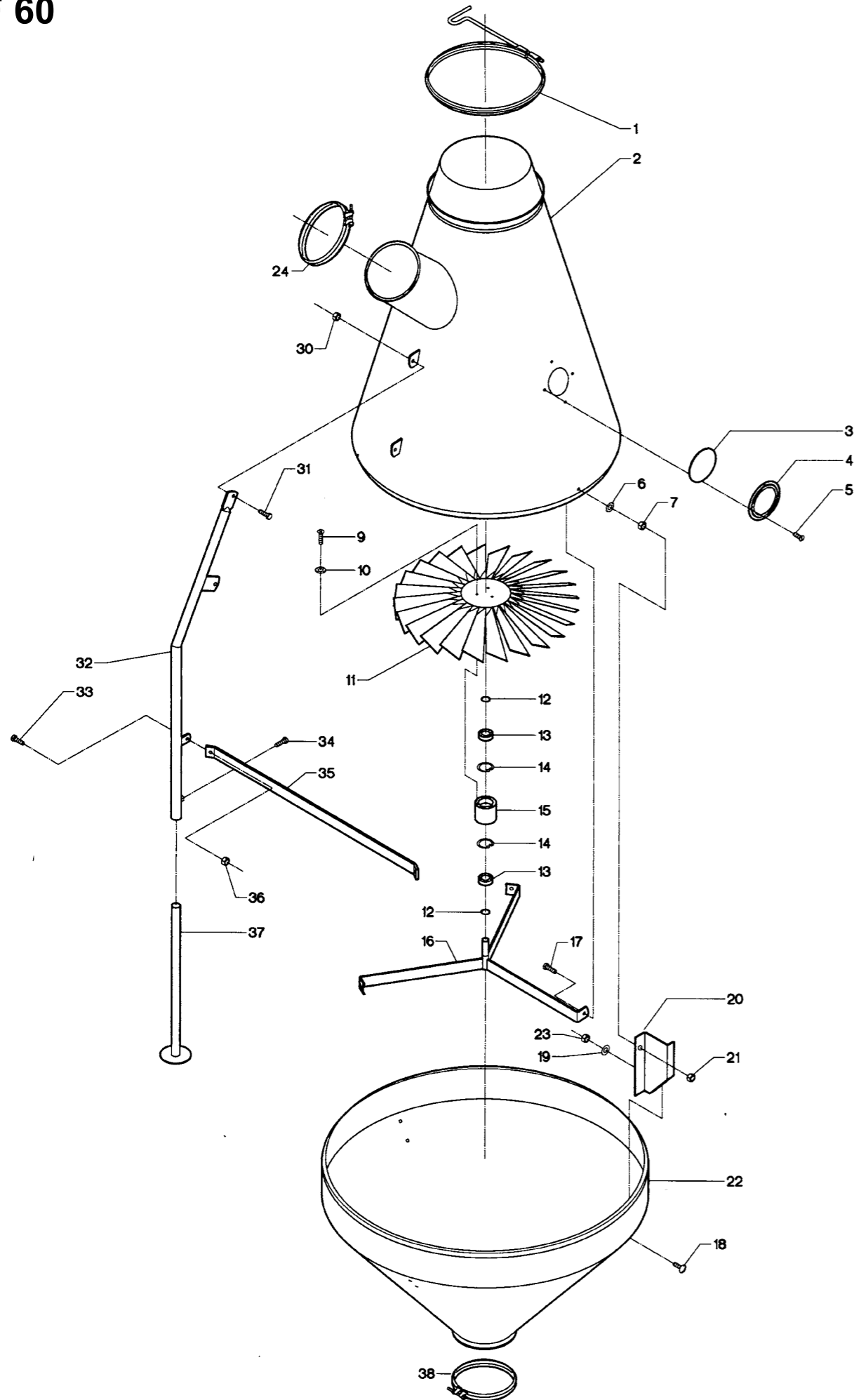


Fig.	Part no.	Pieces	Notes
1	131 040 049	1	Clamp with screw OK375
2	131 040 027	1	Aspirator cone
3	121 000 090	1	Transparent inspection window
4	121 000 089	1	Inspection window retainer
5	100 323 011	4	Self-tapping screw Ø4,2 x 8mm
6	100 332 004	3	Star washer M10
7	100 315 013	3	Nut M10
9	100 321 015	3	Torx screw M6 x 16 mm
10	100 332 002	3	Star washer M6
11	131 040 000	1	Distributor rotor
12	100 407 011	2	Circlip U ø20 x 1,2 mm
13	100 401 002	2	Ball bearing # 6204-2RS
14	100 407 005	2	Circlip IK Ø48 x 1,75 mm
15	131 040 154	1	Bearing housing
16	131 040 033	1	Bar for bottom hopper
17	100 304 024	3	Set screw M10 x 35 mm
18	100 311 016	6	Coach bolt M8 x 20 mm
19	100 331 005	6	Flat washer M8
20	131 041 040	3	Angeled bracket
21	100 316 004	3	Lock nut M10
22	131 041 041	1	Bottom hopper
23	100 315 012	6	Nut M8
24	122 050 110	1	Bolt clamp OK200
CPL	131 060 000	1	Complete no, includes pos. 1 to 24
30	100 315 013	6	Nut M10
31	100 306 029	6	Set screw M10 x 25 mm
32	131 040 065	3	Upper leg for aspirator (NA)
33	100 306 030	3	Set screw M10 x 30 mm
34	100 304 030	3	Set screw M12 x 20 mm
35	131 041 060	3	Stiffener for legs
36	100 315 013	3	Nut M10
37	131 040 061	3	Lower leg for aspirator (NA)
CPL	131 040 060	3	Complete no, includes pos. 32, 34 and 37
CPL	131 040 002	1	Complete no, includes pos. 30 to 37
38	122 050 110	1	Bolt clamp OK200

Kongskilde Industries A/S

Skælskørvej 64

DK - 4180 Sorø

Tel. +45 72 17 60 00

mail@kongskilde-industries.com

www.kongskilde-industries.com