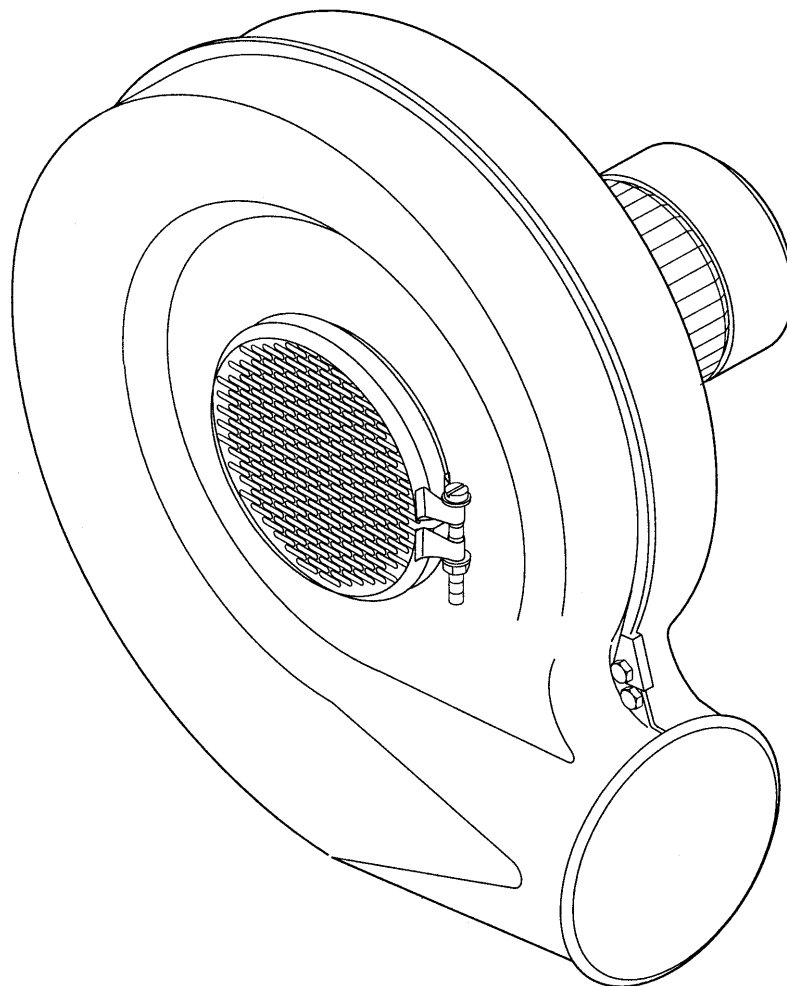


# **FRL & FEA 10/15**

## Centrifugal blowers



Spare parts list

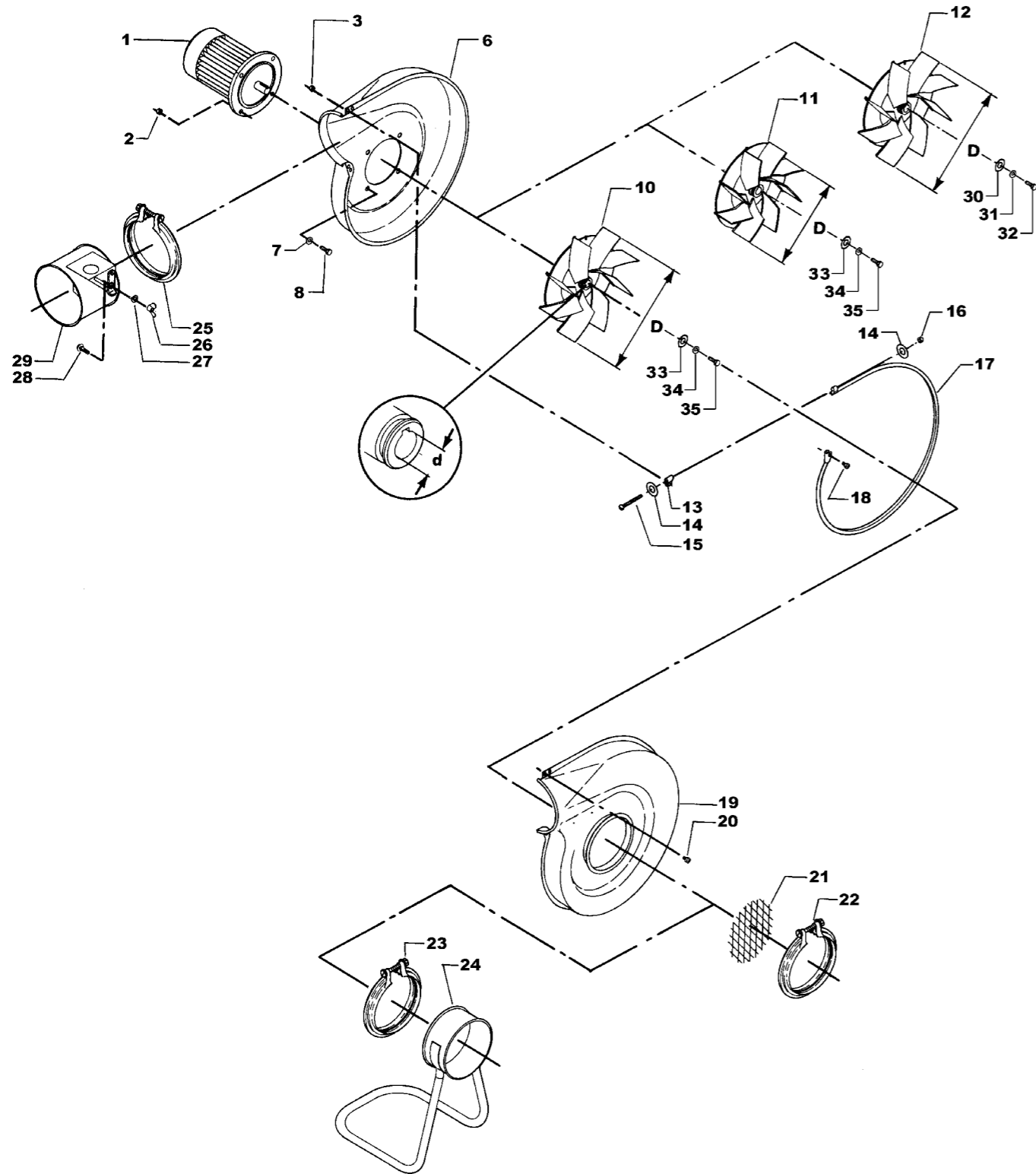


Fig.	Part no.	Pieces	Notes
1	100 501 028	1	Motor 80K2, 0.75kW - 400V - 50Hz - B5 Motor 56C - 1.5 HP - 230/460V - 60 Hz - 3450 rpm - VM3550 - 3 ph. Motor 56C - 1.5 HP - 575 V - 60Hz - 3450 rpm - 34A63-502 - 3 ph. Motor 80-2 - 1kW B5 - 3x220V - 60Hz Motor 56C - 1.5 HP - 115/230V - 60Hz - 3500 rpm - 1 ph.
	100 551 046	1	
	100 551 047	1	
	100 501 311	1	
	100 551 011	1	
	100 316 004	4	
2	100 316 004	4	Lock nut M10
	100 316 002	4	
3	100 316 002	4	Lock nut M6
	100 316 002	4	
6	131 011 139	1	Blower housing, motor side (50Hz / 60Hz IEC)
	131 013 028	1	
7	100 332 004	4	Blower housing, motor side (60Hz Nema)
	100 306 029	4	
	100 356 025	4	
	100 356 025	4	
8	100 306 029	4	Star washer M10
	100 356 025	4	
10	131 011 021	1	D = 305 mm / d = 19 mm, 50Hz, 8 blade
	131 013 005	1	
11	131 012 013	1	D = 265 mm / d = 19 mm, 60Hz, 8 blade
	131 012 013	1	
12	131 011 049	1	D = 305 mm / d = 5/8", 60 Hz, 8 blade
	100 331 013	2	
13	100 323 002	1	Bolt bracket
	100 331 013	2	
14	100 323 002	1	Flat washer 1/4"
	100 331 013	2	
15	100 323 002	1	Screw M8 x 70
	100 315 012	1	
16	131 011 141	1	Nut M8
	100 321 015	2	
17	100 321 015	2	Clamp ring, for blower housing FRL/FEA 10/15
	131 011 140	1	
18	100 321 015	2	Torx screw M6 x 16
	131 011 140	1	
19	100 321 014	2	Blower housing, intake side
	131 010 129	1	
20	122 000 857	1	Torx screw M6 x 12
	122 000 857	1	
21	122 000 857	1	Intake net
	131 011 035	1	
22	122 000 857	1	Clamp with screw OK160
	131 011 035	1	
23	122 000 857	1	Clamp with screw OK160
	131 011 035	1	
24	122 000 857	1	Fig. 23 + 24 (Stand for FRL/FEA blower)
	131 011 035	1	
25	122 000 857	1	Clamp with screw OK160
	100 316 000	1	
26	100 316 000	1	Wing nut M6
	100 331 013	1	
27	100 331 013	1	Flat washer 1/4"
	100 311 001	1	
28	100 311 001	1	Carriage bolt M6 x 20
	122 000 853	1	
29	122 000 853	1	Fig. 26 - 29 (Regulation throttle)
	122 000 853	1	
30	100 331 005	1	Flat washer 5/16", (for 60Hz motor)
	100 332 003	1	
31	100 332 003	1	Star washer M8, (for 60Hz motor)
	100 356 108	1	
32	100 356 108	1	UNF 5/16" x 3/4", (for 60Hz motor)
	121 100 217	1	
33	121 100 217	1	Flat washer CA20-2
	100 332 002	1	
34	100 332 002	1	Star washer M6
	100 332 002	1	
35	100 323 041	1	Set screw M6 x 16
	100 323 041	1	

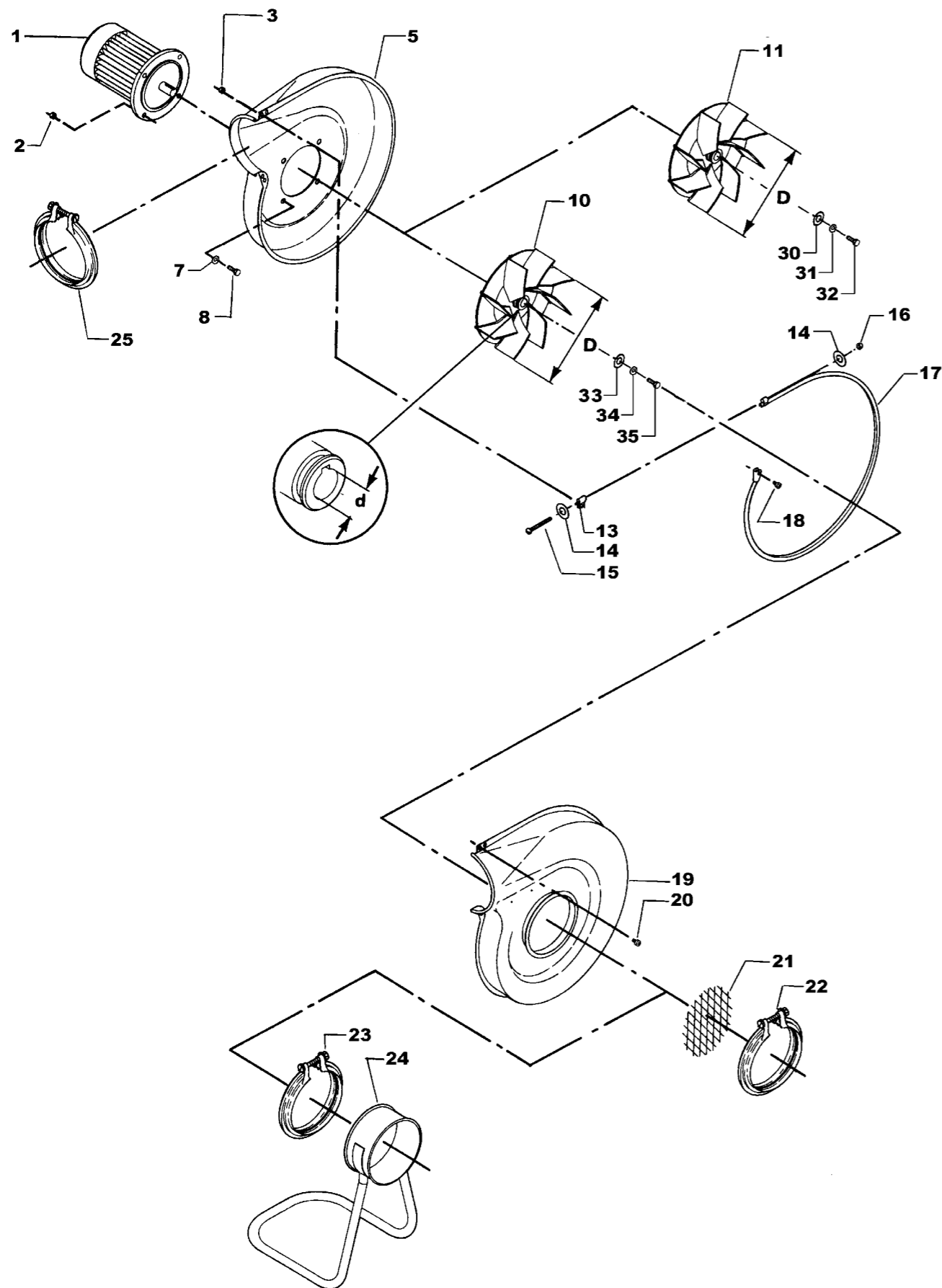


Fig.	Part no.	Pieces	Notes
1	100 501 028 100 551 046 100 551 047 100 551 011	1 1 1 1	Motor 80K2 - 0.75kW - 400V - 50Hz - B5 Motor 56C - 1.5 HP - 460V - 60Hz - 3450 rpm - VM3550 - 3 ph. Motor 56C - 1.5 HP - 575V - 60Hz - 3450 rpm - 34A63-502 - 3 ph. Motor 56C - 1.5 HP - 115/230V - 3500 rpm - 1 ph.
2	100 316 004	4	Lock nut M10
3	100 316 002	4	Lock nut M6
5	131 011 139 131 013 028	1 1	Blower housing, motor side (50Hz / 60Hz IEC) Blower housing, motor side (60Hz Nema)
7	100 332 004	4	Star washer M10, (for 60Hz motor)
8	100 306 029 100 356 025	4 4	Set screw M10 x 25 UNC 3/8" x 3/4", (for 60Hz motor)
10	131 011 090	1	D = 286 mm/d = 19 mm, 50Hz, 8 blade
11	131 011 135	1	D = 286 mm/d = 5/8", 60Hz, 8 blade
13	131 011 049	1	Bolt bracket
14	100 331 013	2	Flat washer 1/4"
15	100 323 002	1	Screw M8 x 70
16	100 315 012	1	Nut M8
17	131 011 141	1	Clamp ring, for blower housing FRL/FEA 10/15
18	100 321 015	2	Torx screw M6 x 16
19	131 011 140	1	Blower housing, intake side
20	100 321 014	2	Torx screw M6 x 12
21	131 010 129	1	Intake net
22	122 000 857	1	Clamp with screw OK160
23	122 000 857	1	Clamp with screw OK160
Cpl:	131 011 035	1	Fig. 23 + 24 (Stand for FRL/FEA blower)
25	122 000 857	1	Clamp with screw OK160
30	100 331 005	1	Flat washer 5/16", (for 60Hz motor)
31	100 332 003	1	Star washer M8, (for 60Hz motor)
32	100 356 108	1	UNF 5/16" x 3/4", (for 60Hz motor)
33	121 100 217	1	Flat washer CA20-2
34	100 332 002	1	Star washer M6
35	100 323 041	1	Set screw M6 x 16



**Kongskilde Industries A/S**

Skælskørvej 64

DK - 4180 Sorø

Tel. +45 72 17 60 00

[mail@kongskilde-industries.com](mailto:mail@kongskilde-industries.com)

[www.kongskilde-industries.com](http://www.kongskilde-industries.com)