

K-Series Bag Filter

Data Sheet

The K-Series bag filter is a modular dust collection unit ideal for indoor installations.

The K-Series dust collector is an enclosure-less, compact and simple to setup dust collector. The K-Series is available in four sizes, the K-200, K-500, K-750 and K-1000, to suit the needs of most applications.

Dust Collection

This unit creates a clean, sealed system in the production area. Waste collection is available in the form of bags, barrels, or a dump bin. The disposal bin clamps securely into place to prevent dust from escaping. The clamps are easily removed for quick disposal of waste.

The Superbag

The Superbag is a polyester filter bag created using a patented weaving technique in tubular format. The high quality filter media is 99% efficient. This design gives the filter bag a surface which can cope with varying dust loads and virtually any type of dust.

Efficiency and Low Energy Consumption

By allowing clean air to pass through with the least possible resistance, the lowest possible energy consumption is achieved.

The unique filter media provides low pressure drop and low energy consumption.

Strength and Durability

The special shape of the Superbag helps to ensure that high efficiency and effectiveness is maintained even after long periods of operation. The durability is a result

of the patented construction, strong polyester fiber, and seamless body. These features also make cleaning the filter bag very easy.

Antistatic

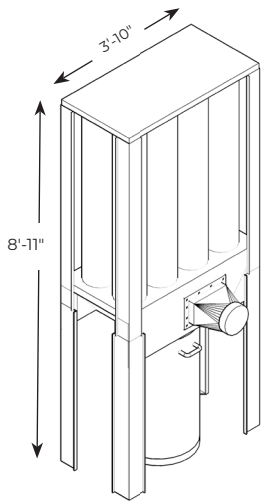
The Superbag's interwoven carbon fiber wire provides stronger anti-static properties than traditional filter bags—both inside and out.

User Benefits

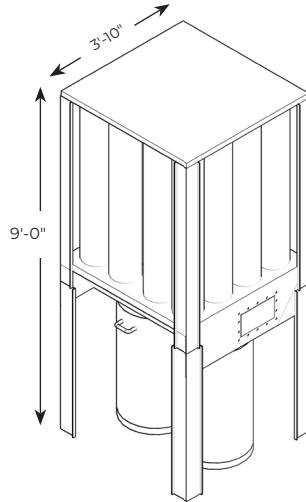
- Easy to empty
- Modular design
- Easy setup
- Simple maintenance



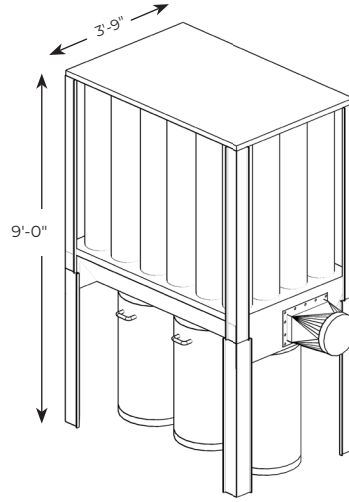
K-1000



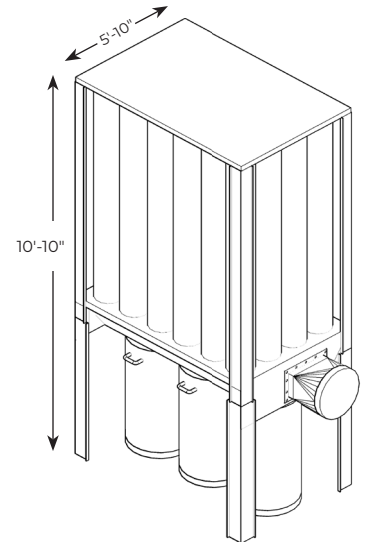
K-200 with inlet transition and dump barrel



K-500 with dump barrels



K-750 with inlet transition and dump barrels



K-1000 with inlet transition and dump barrels

Waste Disposal Options

The K-Series filter has several waste disposal options available. Options include bags, barrels, or a dump bin.



Bags



Barrels



Dump Bin

Optional Equipment

Additional optional equipment is available for the K-Series filter as requested including:

- Replacement filter bag
- Dump bin for 750 & 1000
- 45 gallon barrel
- Roll of 45 gallon plastic waste bags

Technical Data

Type	K-200	K-500	K-750	K-1000
CFM	1200	3000	4000	5000
Filter Area (ft ²)	81	162	243	360
No. of filter bags	8	16	24	24
No. of waste discharge points	1	2	3	3
No. of clamps	1	2	3	3

Kongskilde Industries USA Inc.

Tel.: +1 309 452 3300

kna@kongskilde-industries.com

www.kongskilde-industries.com



Air solutions / your success