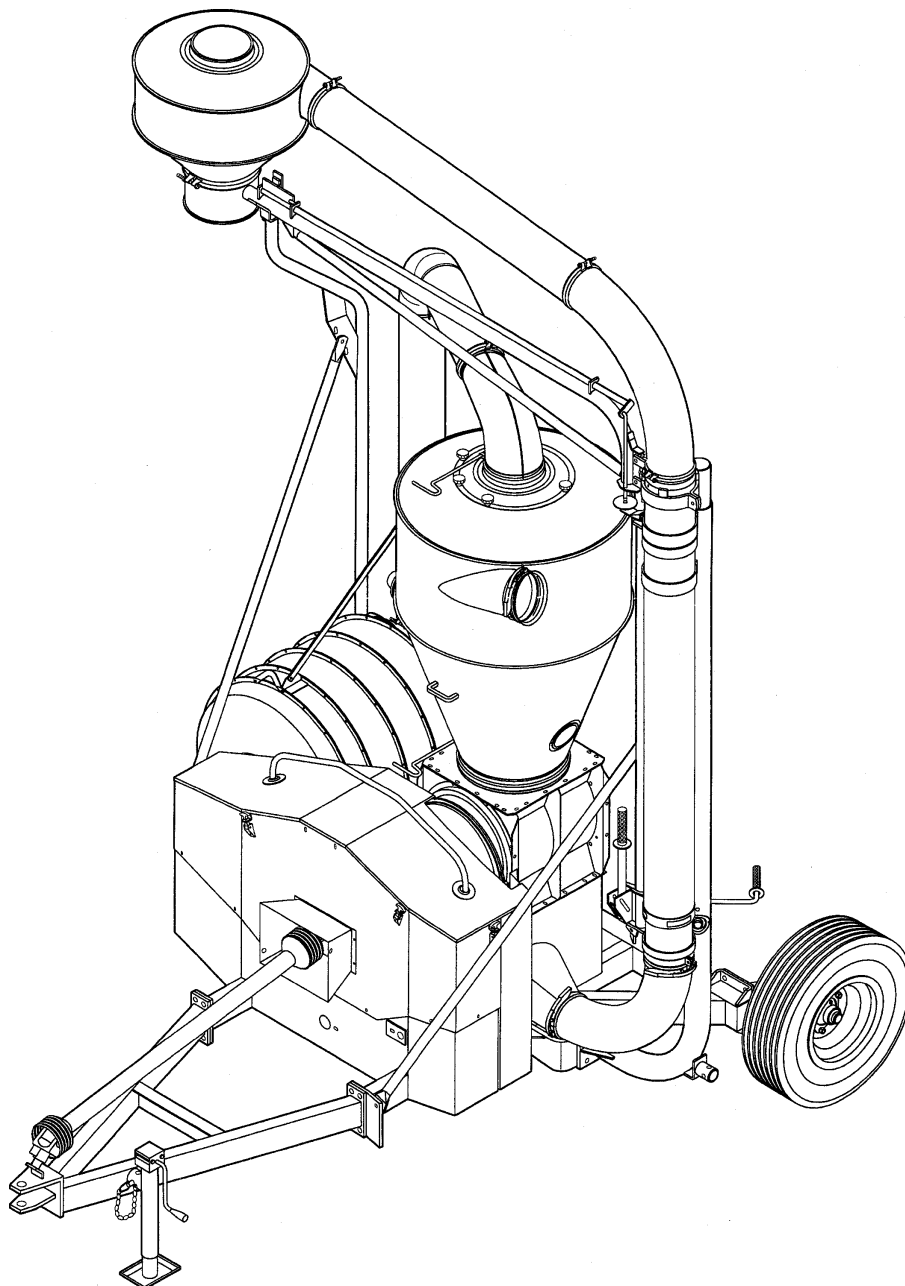


SUC 1000 TR

Suction blower - tractor powered



Spare parts list

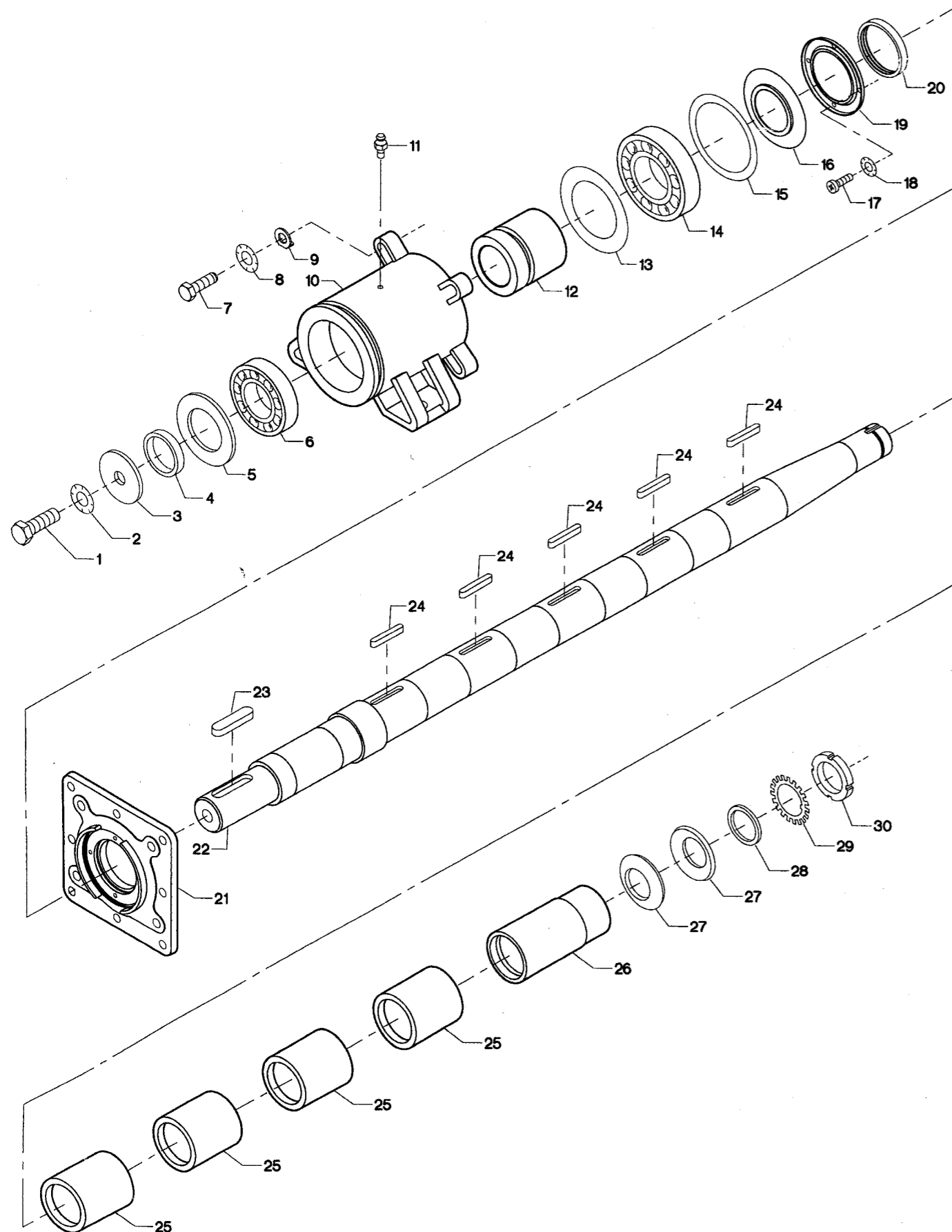


Fig.	Part no.	Pieces	Notes
1	100 306 056	1	Set screw M16 x 45 mm
2	100 332 006	1	Star washer M16
3	121 121 079	1	Flat washer ø65/17 x 5 mm
4	121 150 242	1	Spacer
5	100 413 065	1	
6	100 402 002	1	Ball bearing # 22210 CC C3
7	100 304 033	4	Set screw M12 x 35 mm
8	100 332 005	4	Star washer M12
9	121 140 024	4	
10	121 140 172	1	Bearing housing
11	100 421 000	1	Grease nipple M6
12	121 140 171	1	Spacer
13	100 323 344	1	
14	100 401 042	1	Ball bearing # 6310 Z C3
15	100 323 343	1	
16	121 140 019	1	Oil dip ring
17	100 321 010	4	Torx screw M5 x 12 mm
18	100 332 001	4	Star washer M5
19	121 140 017	1	Cover
20	121 150 243	1	
21	121 140 176	1	Shaft
22	121 150 231	1	Key 14 x 9 x 60 mm
23	100 405 007	1	Key 8 x 7 x 50 mm
24	100 405 013	5	Spacer
25	121 150 237	4	
26	121 150 238	1	Spacer
27	100 323 144	2	Disc washer
28	121 130 226	1	Spacer
29	100 407 025	1	Star washer MB 8
30	100 323 064	1	Ring nut KM 8
Cpl:	121 150 008	1	Bearing housing complete. Incl. items 1 - 30

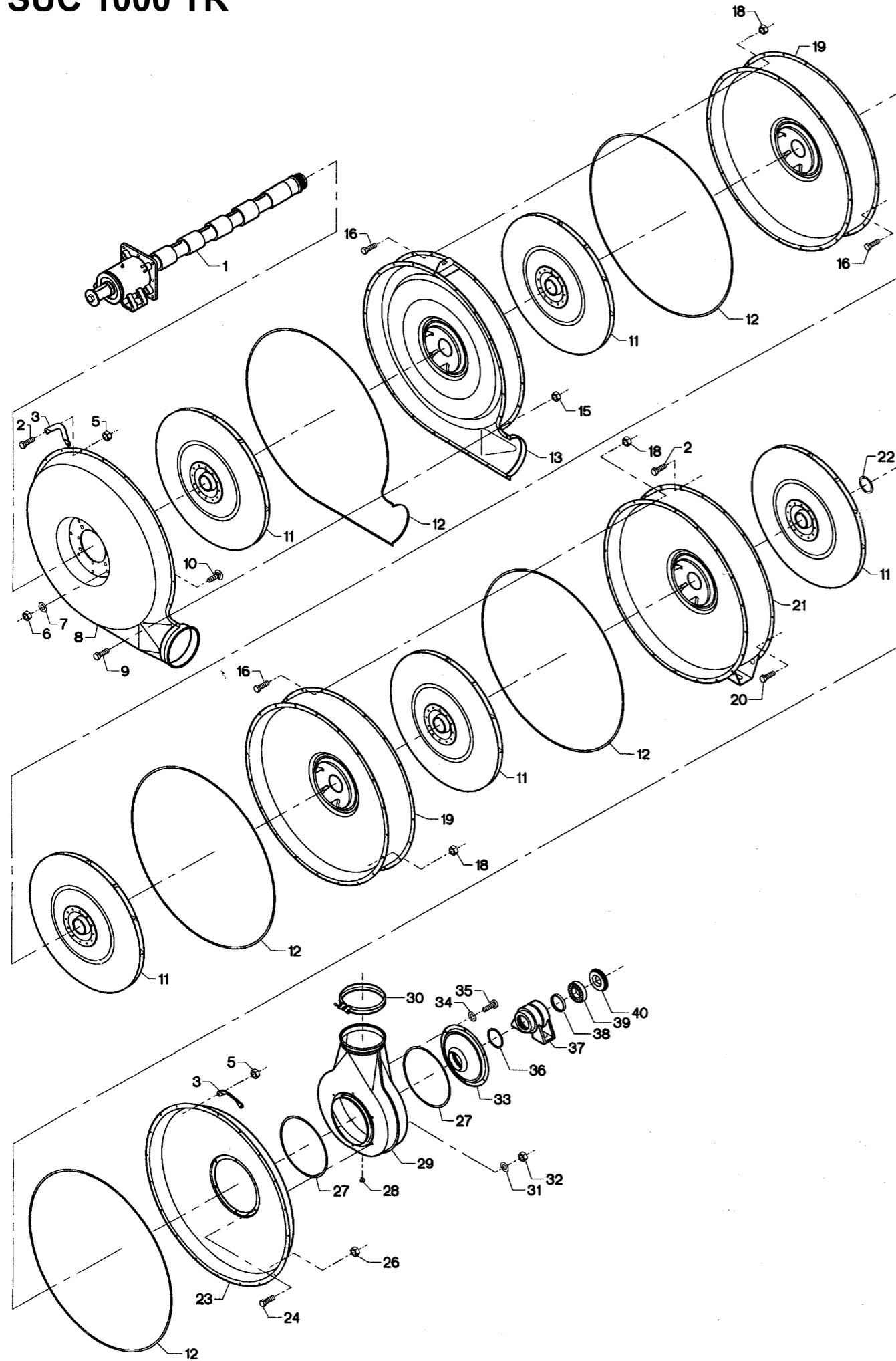


Fig.	Part no.	Pieces	Notes
1	121 150 008	1	Bearing housing complete
2	100 306 001	4	Set screw M6 x 20 mm
3	121 150 257	2	Handle
5	100 316 075	4	Flange nut M6
6	100 316 003	8	Lock nut M8
7	100 331 005	8	Flat washer M8
8	121 140 111	1	
9	100 323 398	21	Flange set screw M6 x 16 mm
10	100 311 017	8	Coach bolt M8 x 25 mm
11	121 150 166	5	Rotor
12	121 100 303	-	Sealing strip. Indicate length 13 m when ordering
13	121 120 385	1	
15	100 316 075	21	Flange nut M6
16	100 323 398	60	Flange set screw M6 x 16 mm
18	100 316 075	60	Flange nut M6
19	121 130 253	2	
20	100 323 398	18	Flange set screw M6 x 16 mm
21	121 140 123	1	
22	121 150 182	-	Flat washer
23	121 150 265	1	Cover
24	100 306 001	6	Set screw M6 x 20 mm
26	100 316 075	18	Flange nut M6
27	100 203 030	-	Sealing strip 2 x 6 mm. Indicate length 1.6 m when ordering
28	121 130 131	1	Valve
29	121 130 255	1	Air intake
30	122 000 857	1	Clamp with screw OK160
31	100 331 004	6	Flat washer M6
32	100 316 002	6	Lock nut M6
33	121 130 257	1	
34	100 332 002	6	Star washer M6
35	100 321 013	6	Torx screw M6 x 10 mm
36	100 413 066	1	O-ring
37	121 134 376	1	Bearing housing
38	121 150 243	1	Sealing ring
39	100 401 072	1	Ball bearing # 6208 - 2RS
40	121 130 042	1	Bearing cover
Cpl:	121 150 159	1	Blower section complete including packing. Incl. items 1 - 40

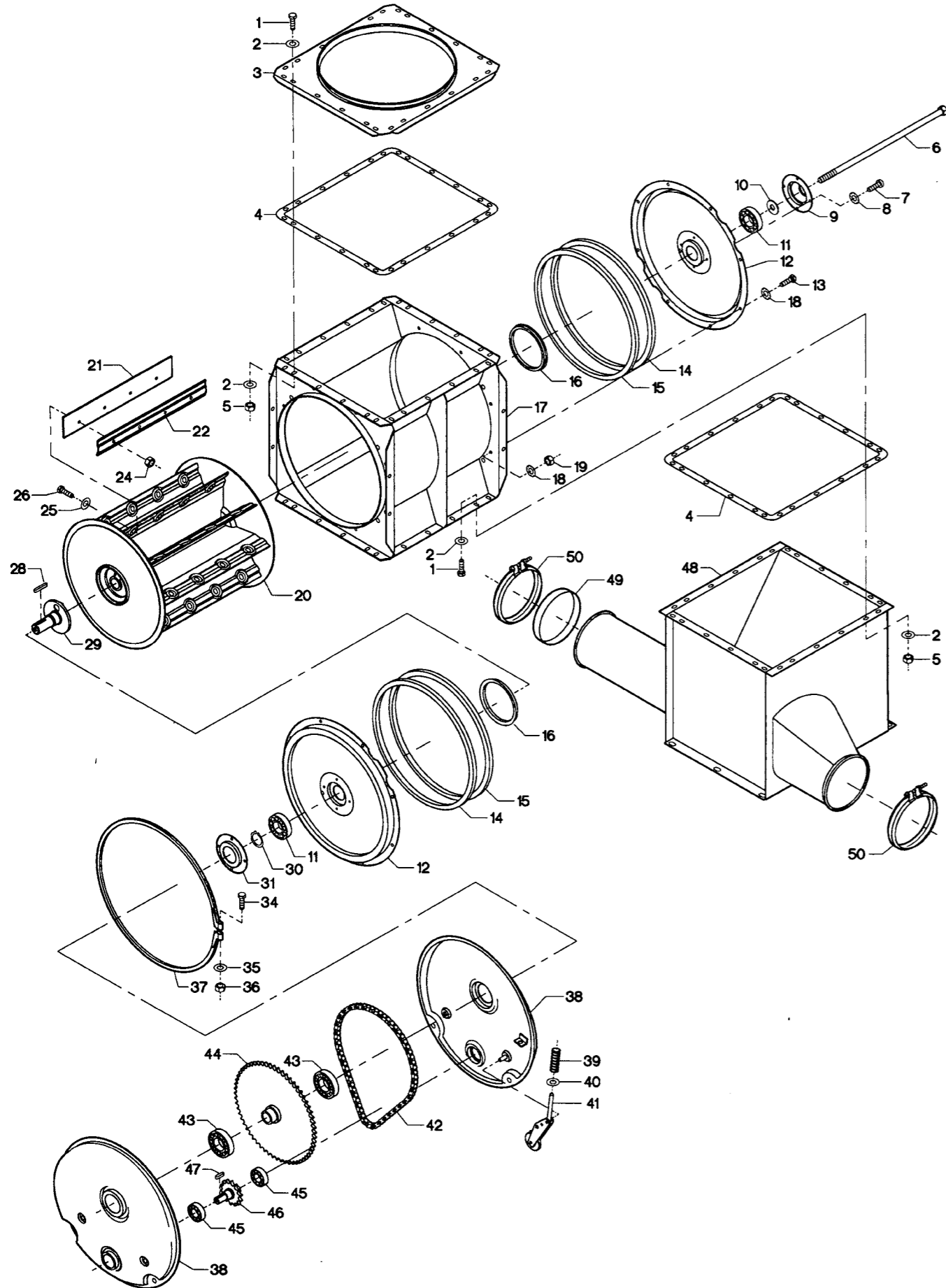


Fig.	Part no.	Pieces	Notes
1	100 306 015	48	Set screw M8 x 20 mm
2	100 331 014	96	Flat washer M8
3	121 150 076	1	
4	121 150 193	2	
5	100 315 012	48	Nut M8
6	121 150 103	1	M16
7	100 321 013	8	Torx screw M6 x 10 mm
8	100 332 002	8	Star washer M6
9	121 109 090	1	
10	121 108 135	1	Flat washer $\phi 42/17 \times 3$ mm
11	100 401 003	2	Ball bearing # 6207 - 2RS1
12	121 109 088	2	
13	100 306 014	16	Set screw M8 x 15 mm
14	121 100 349	2	
15	121 100 368	2	
16	100 413 069	2	
17	121 150 075	1	
18	100 315 012	16	Nut M8
19	100 332 003	16	Star washer M8
20	121 150 233	1	Rotor
21	121 150 201	9	
22	121 150 200	9	
24	100 316 003	36	Nut M8
25	100 331 014	36	Flat washer M8
26	100 308 049	36	Set screw M8 x 25 mm
Cpl:	121 150 208	1	Incl. items 20 - 26
28	100 405 015	1	Key 8 x 7 x 36 mm
29	121 108 224	1	
30	100 407 009	1	Circlip $\phi 35 \times 1.5$ mm
31	121 109 089	1	
Cpl:	121 150 099	1	Incl. items 1 - 31
34	100 323 145	1	Set screw M8 x 75 mm
35	100 331 005	1	Flat washer M8
36	100 315 012	1	Nut M8
37	121 140 047	1	Clamp
38	121 140 030	2	Chain housing
39	121 134 244	2	Spring
40	100 331 015	1	Flat washer M10
41	121 140 042	1	Turnbuckle
42	121 140 106	1	Chain
43	100 401 072	2	Ball bearing # 6208 - 2RS1/C3HT51
44	121 140 165	1	Chain wheel
45	100 401 032	2	Ball bearing # 6205 - 2RS1
46	121 140 164	1	Entry shaft
47	100 405 019	1	Key 6 x 6 x 28 mm
Cpl:	121 140 064	1	Incl. items 34 - 47
48	121 150 116	1	
49	110 101 079	1	
50	122 001 078	2	Bolt clamp OK160, for spec. safety joint

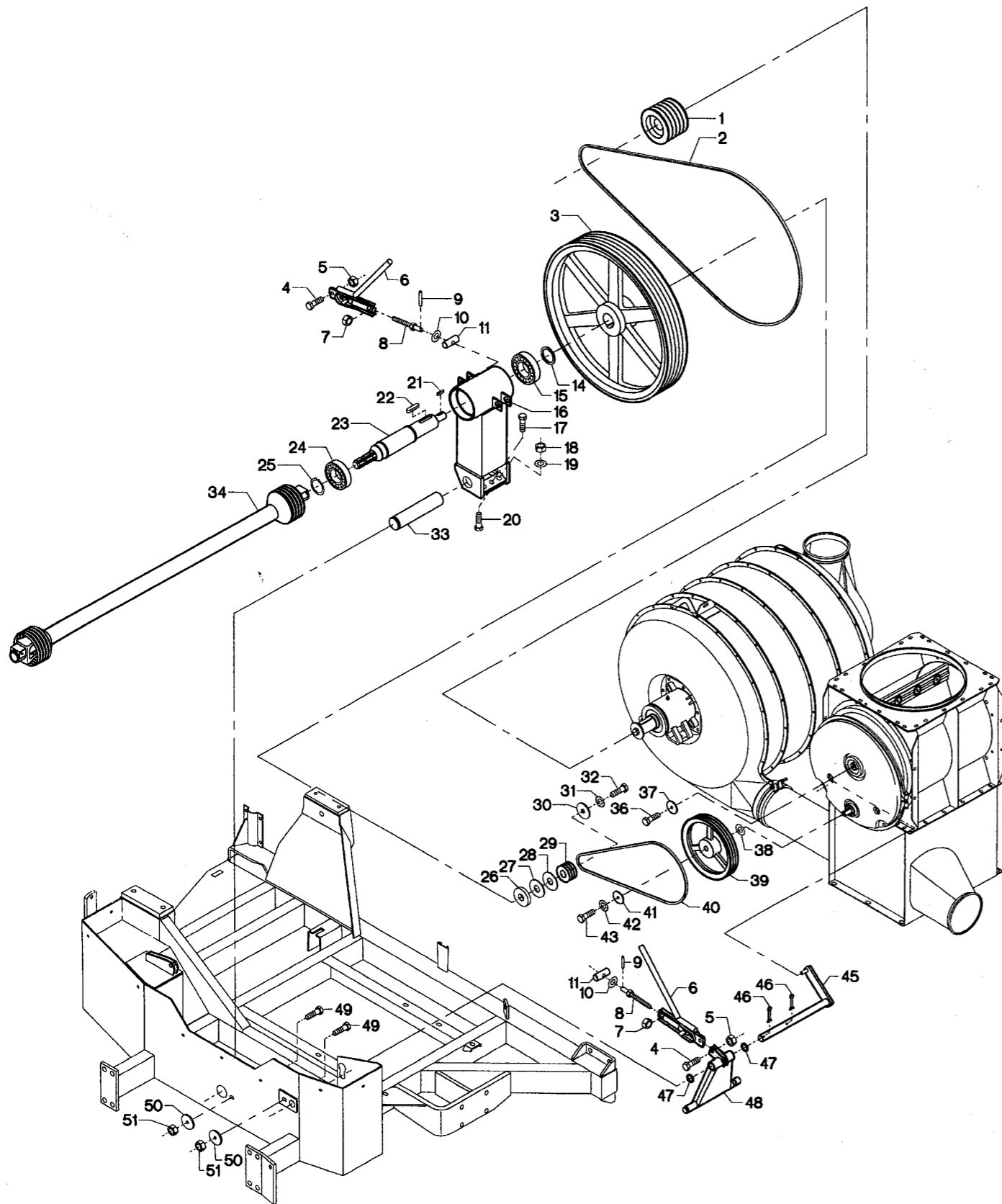


Fig.	Part no.	Pieces	Notes
1	121 150 161	1	V-belt pulley SPB 130 with 5 grooves
2	100 403 099	5	Raw edge moulded notch V-belt SPB 2800 REX, set 5
3	121 150 018	1	V-belt pulley SPB 630 with 5 grooves
4	100 306 044	2	Set screw M12 x 40 mm
5	100 316 005	2	Lock nut M12
6	121 131 115	2	Nut M16
7	100 315 020	2	Nut M16
8	121 131 129	2	Slotted spring pin $\varnothing 6 \times 32$ mm
9	100 333 018	2	Slotted spring pin $\varnothing 6 \times 32$ mm
10	100 331 008	2	Flat washer M16
11	121 131 285	2	Spacer
14	121 131 288	1	Ball bearing # 6311 - 2RS1
15	100 401 041	1	Ball bearing # 6311 - 2RS1
16	121 150 013	1	Set screw M16 x 40 mm
17	100 306 055	1	Set screw M16 x 40 mm
18	100 315 020	2	Nut M16
19	100 332 006	2	Star washer M16
20	100 306 056	2	Set screw M16 x 45 mm
21	100 405 015	1	Key 8 x 7 x 36 mm
22	100 405 010	1	Key 16 x 10 x 63 mm
23	121 140 178	1	Entry shaft
24	100 401 013	1	Ball bearing # 6212 - 2RS1
25	100 407 015	1	Circlip $\varnothing 60 \times 2$ mm
26	121 150 244	1	Spacer $\varnothing 75$ mm x 13 mm
27	121 150 213	1	Filler 1 mm
28	121 150 214	1	Filler 2 mm
29	121 150 017	1	V-belt pulley SPZ 63 with 3 grooves
30	121 121 079	1	Flat washer
31	100 332 006	1	Star washer M16
32	100 306 055	1	Set screw M16 x 40 mm
Cpl:	121 150 020	1	Entry shaft complete. Incl. items 14 - 32
33	121 150 245	1	Spacer $\varnothing 75$ mm x 13 mm
34	199 073 340	1	P.T.O. shaft, 100 hp - 1000 rpm
36	100 306 017	1	Set screw M8 x 30 mm
37	121 000 021	1	Flat washer $\varnothing 42/9 \times 3$ mm
38	100 331 009	1	Flat washer M20
39	121 150 016	1	V-belt pulley SPZ 250 with 3 grooves
40	100 403 100	3	Raw edge moulded notch V-belt SPZ 1362 REX, set 3
41	121 000 021	1	Flat washer $\varnothing 42/9 \times 3$ mm
42	100 332 003	1	Star washer M8
43	100 308 002	1	Set screw M8 x 25 mm
45	121 150 119	1	Split pin $\varnothing 6.3 \times 32$ mm
46	100 333 059	2	Split pin $\varnothing 6.3 \times 32$ mm
47	121 140 161	2	Split pin $\varnothing 6.3 \times 32$ mm
48	121 140 069	1	Split pin $\varnothing 6.3 \times 32$ mm
49	100 306 029	2	Set screw M10 x 25 mm
50	121 140 168	2	Lock nut M10
51	100 316 004	2	Lock nut M10

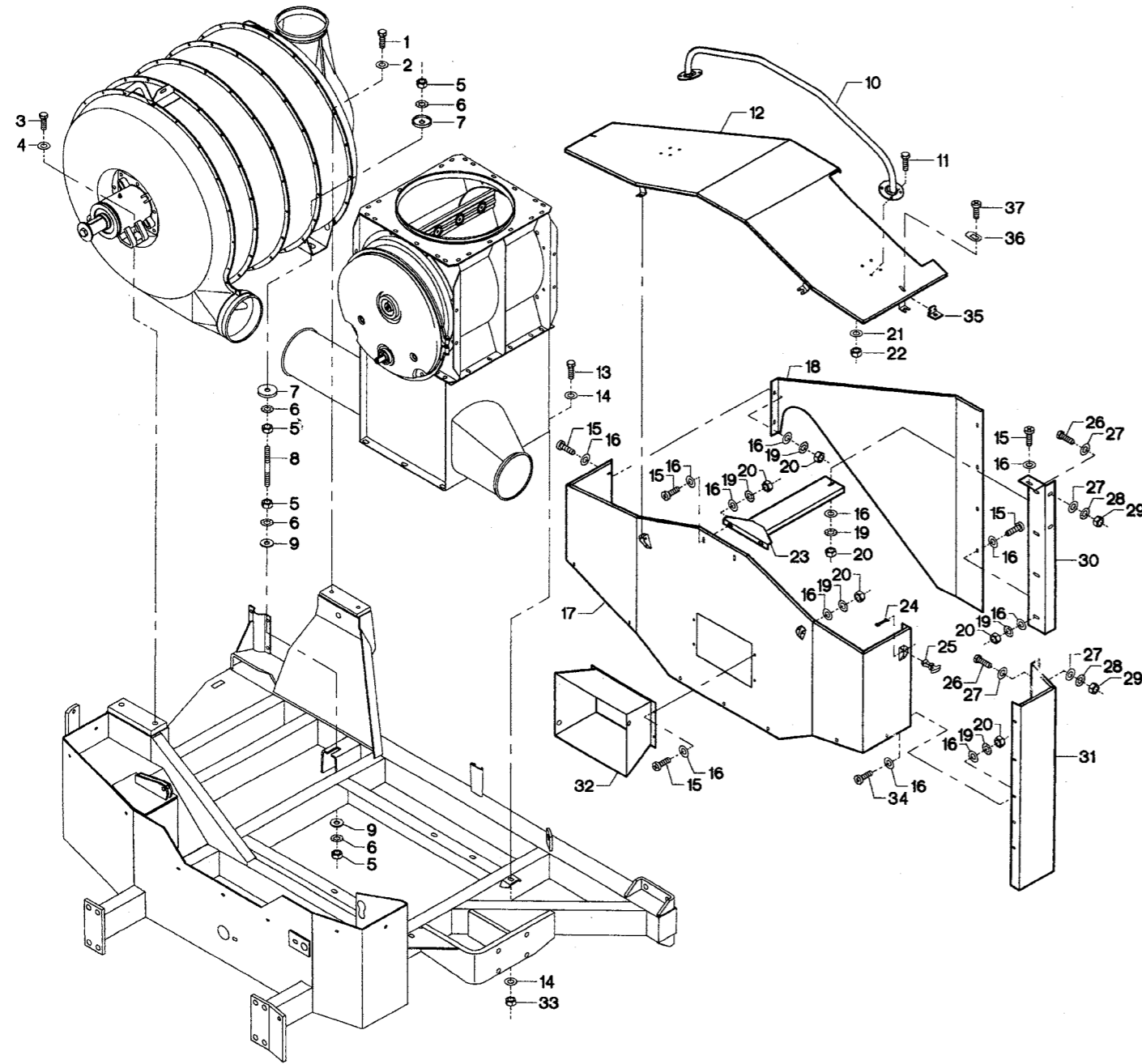


Fig.	Part no.	Pieces	Notes
1	100 306 042	2	Set screw M12 x 25 mm
2	100 331 007	2	Flat washer M12
3	100 306 055	2	Set screw M16 x 40 mm
4	100 331 008	2	Flat washer M16
5	100 315 020	8	Nut M16
6	100 332 006	8	Star washer M16
7	121 140 124	4	Flat washer $\varnothing 42/17 \times 3$ mm
8	121 140 125	2	
9	121 108 135	4	
10	121 150 124	1	
11	100 306 001	8	Set screw M6 x 20 mm
12	121 150 126	1	Set screw M12 x 25 mm
13	100 306 042	6	
14	100 331 007	12	
15	100 323 041	21	
16	100 331 004	52	
17	121 150 140	1	Star washer M6
18	121 150 128	1	
19	100 332 002	26	
20	100 315 028	26	
21	100 331 033	8	Flat washer $\varnothing 31.5/7$ mm
22	100 316 002	8	Lock nut M6
23	121 150 130	1	Spacer
24	100 333 004	4	Split pin $\varnothing 5 \times 30$ mm
25	121 131 191	4	
26	100 308 004	3	Set screw M10 x 20 mm
27	100 331 006	6	Flat washer M10
28	100 332 004	3	Star washer M10
29	100 315 000	3	Nut M10
30	121 150 129	1	
31	121 150 127	1	Lock nut M12
32	121 131 261	1	
33	100 316 005	6	
34	100 306 001	5	
35	121 000 402	2	
36	121 000 686	2	
37	100 321 010	2	

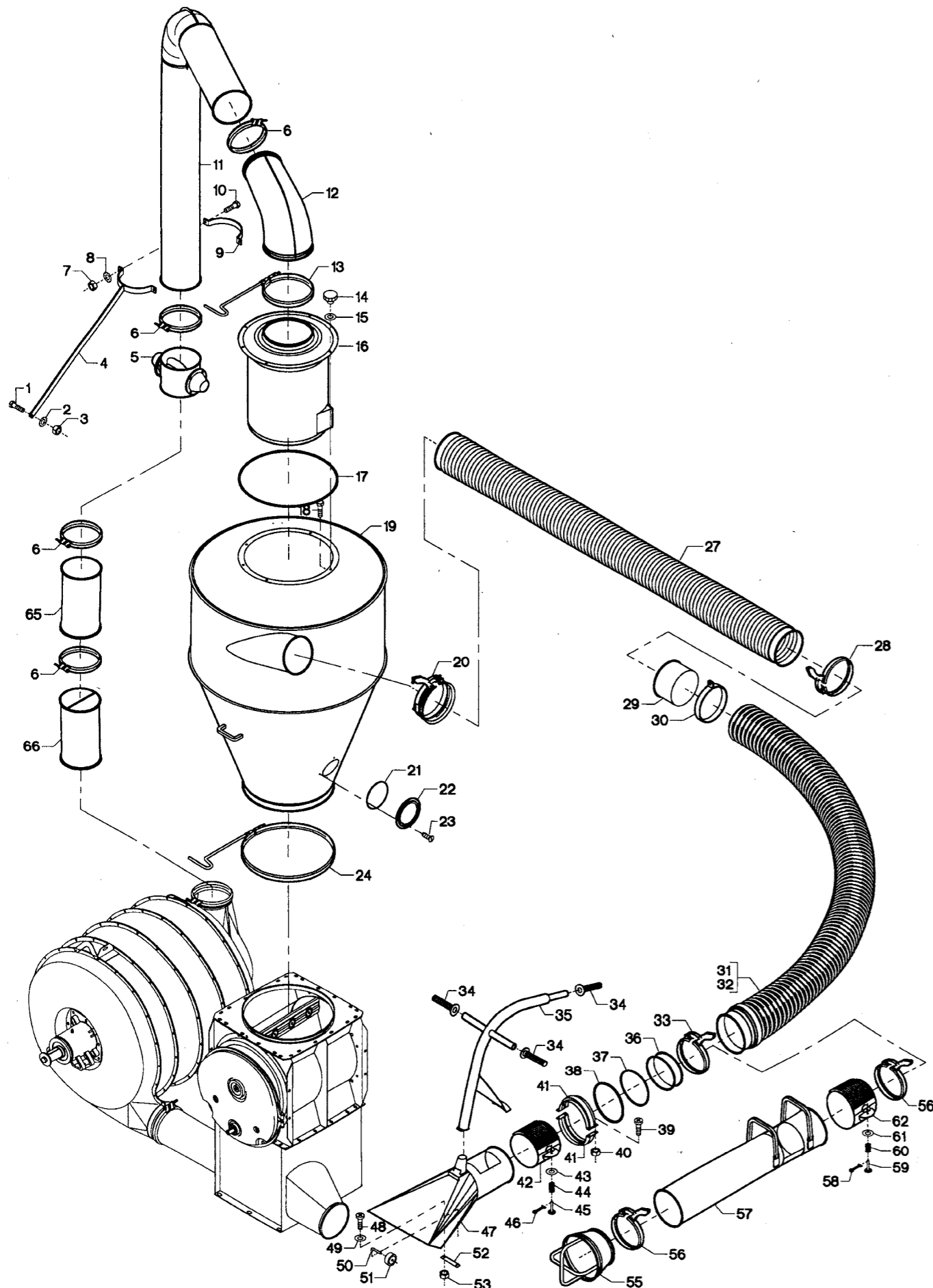


Fig.	Part no.	Pieces	Notes
1	100 308 002	1	Set screw M8 x 25 mm
2	100 332 003	1	Star washer M8
3	100 315 007	1	Nut M8
4	121 150 133	1	
5	121 150 186	1	
6	122 000 857	4	Clamp with bolt OK160
7	100 315 007	2	Nut M8
8	100 332 003	2	Star washer M8
9	121 140 174	1	
10	100 308 032	2	Set screw M8 x 35 mm
11	121 150 139	1	
12	121 140 175	1	
13	121 150 190	1	Clamp with bolt OK200
14	100 414 050	5	Star handle M8
15	100 331 013	5	Flat washer M8
16	121 150 260	1	
17	121 100 303	-	Sealing strip. Indicate length 1.3 m when ordering
18	100 308 002	5	Set screw M8 x 25 mm
19	121 150 055	1	
20	122 000 716	1	Quick release clamp OK160
21	121 000 090	1	
22	121 000 089	1	
23	100 323 011	4	Self-tapping screw # 8 x 5/16"
Cpl:	121 150 056	1	Cyclon with OK375 complete. Incl. items 14 - 23
24	131 040 049	1	Clamp with bolt OK375
28	122 000 825	1	Quick release clamp OKR160
29	121 000 775	2	
30	100 420 172	2	Clamp
Cpl:	121 000 639	1	Steel suction pipe complete. Incl. items 27 + 28
Cpl:	121 000 645	1	Suction pipe 2.6 m complete. Incl. items 28 + 29 + 30 + 31
Cpl:	121 000 650	1	Suction pipe 3.8 m complete. Incl. items 28 + 29 + 30 + 32
33	122 000 800	1	Quick release clamp OKR160
34	100 414 016	3	Handle
Cpl:	121 130 273	1	Handle complete. Incl. items 34 + 35
36	121 130 199	1	Pipe OK160, 50 mm
37	121 130 197	1	O-ring
38	121 130 236	1	Sealing ring
39	100 321 015	4	Torx screw M6 x 15 mm
40	100 316 002	4	Lock nut M6
41	121 130 198	2	
42	121 130 100	1	
43	100 331 013	1	Flat washer M6
44	121 120 116	1	Spring
45	121 120 113	1	
46	100 333 000	1	Split pin ø2 x 15 mm
47	121 130 270	1	Suction head
48	100 321 013	2	Torx screw M6 x 10 mm
49	100 331 004	2	Flat washer M6
50	121 130 211	2	Wheel axle
51	100 412 006	2	Wheel
52	121 130 210	1	
53	100 315 028	2	Nut M6
Cpl:	121 130 265	1	Suction head complete. Incl. items 34 - 53
55	121 150 178	1	
56	122 000 825	2	Quick release clamp OKR160
57	121 150 180	1	Suction head
58	100 333 000	1	Split pin ø2 x 15 mm
59	121 120 113	1	
60	121 120 116	1	Spring
61	100 331 013	1	Flat washer M6
62	121 130 100	1	
Cpl:	121 150 181	1	Suction head complete. Incl. items 55 - 62
65	121 150 273	1	
66	121 150 270	1	

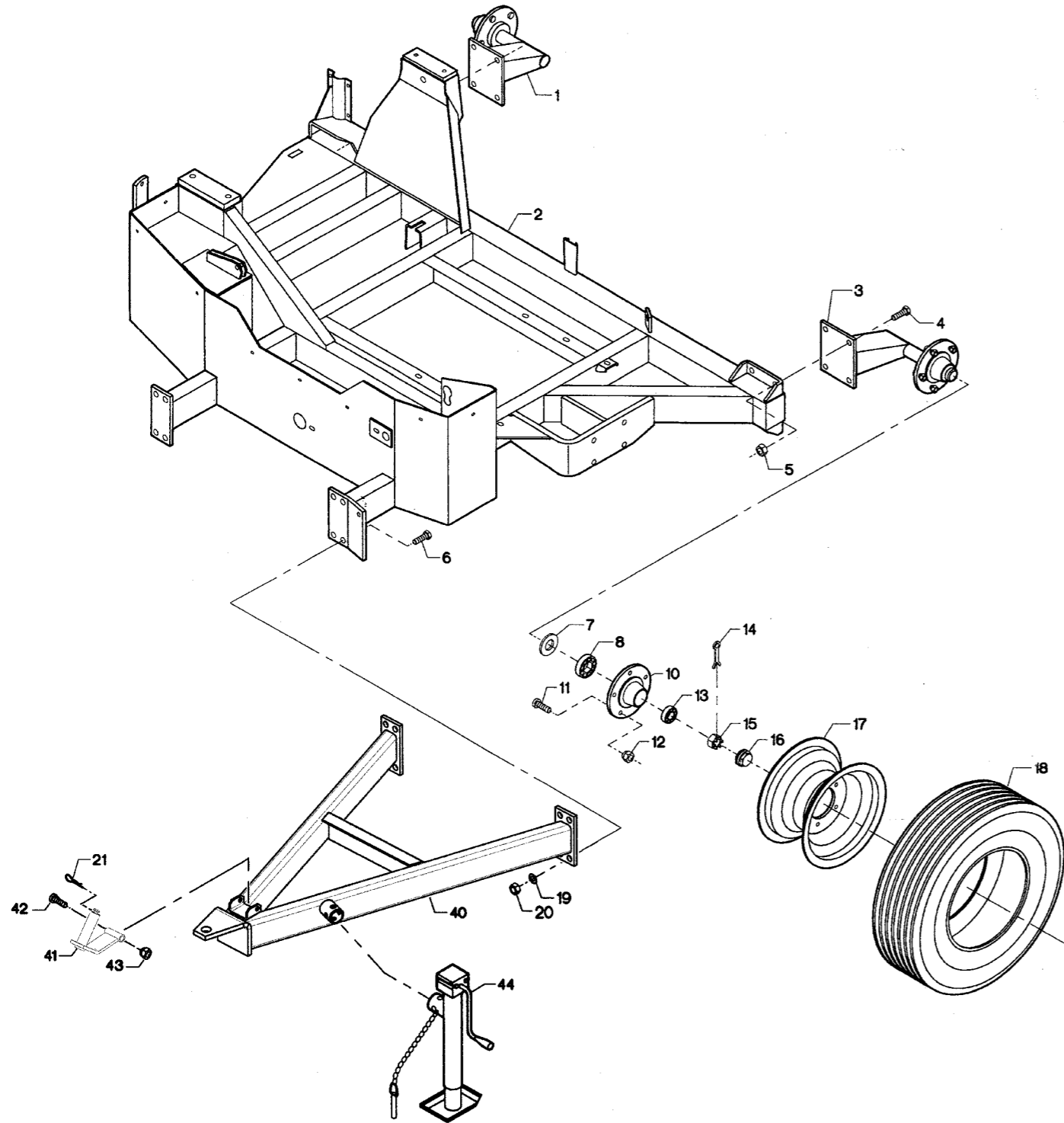


Fig.	Part no.	Pieces	Notes
1	121 134 343	1	Wheel arm
2	121 150 032	1	Base
3	121 134 344	1	Wheel arm
4	100 306 055	8	Set screw M16 x 40 mm
5	100 316 006	8	Lock nut M16
6	100 306 055	8	Set screw M16 x 40 mm
7	100 423 092	1	Seal cover ø72/42 mm
8	100 402 001	1	Bearing # 30207
11	100 323 365	5	Hub bolt M12 x 1.5 x 36 mm
12	100 316 087	5	Hub nut M12 x 1.5 mm - R12
13	100 402 000	1	Bearing # 30205
14	100 333 004	1	Split pin ø5 x 30 mm
15	100 316 086	1	Castle nut M16
16	100 423 093	1	Dust cap
Cpl:	121 134 188	2	Hub complete type FL 35 - 5. Incl. items 7-16
17	100 423 057	1	Rim 5.5k x 14 - 5 / 10Z / 140
18	100 423 096	1	Tyre 205/75 R14C 6PR
Cpl:	121 000 782	2	Rim with tyre complete. incl. items 17 + 18
19	100 332 006	8	Star washer M16
20	100 315 020	8	Nut M16
21	100 333 011	1	Hair pin clip ø4.0 mm
40	121 134 388	1	
41	121 165 608	1	
42	100 306 052	1	Bolt M12x100 mm
43	100 316 005	1	Lock nut M12
Cpl:	121 134 386	1	Complete incl. items 40 - 43
44	121 134 128		

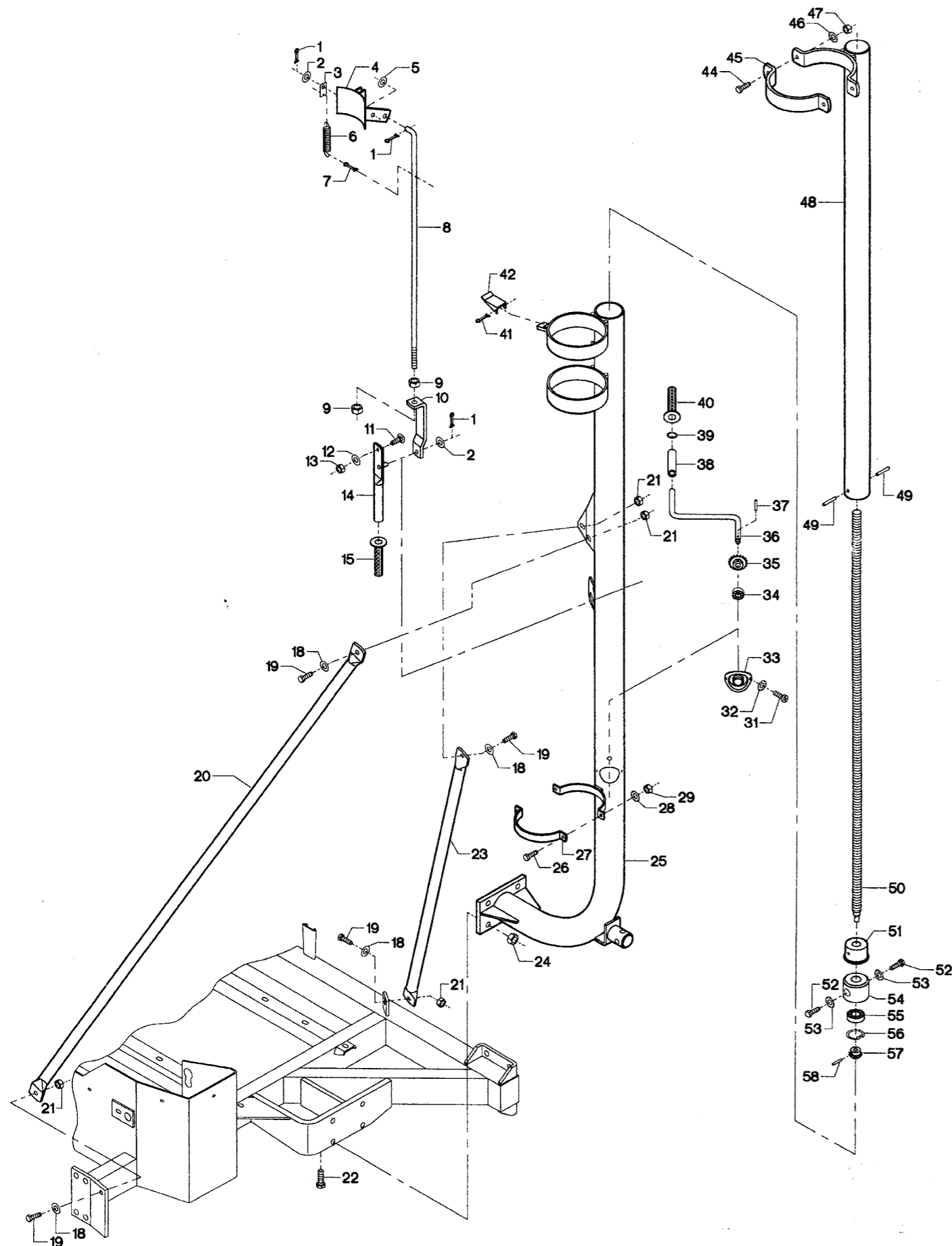


Fig.	Part no.	Pieces	Notes
1	100 333 002	3	Split pin $\varnothing 3 \times 30$ mm
2	100 331 007	2	Flat washer M12
3	121 134 258	1	
4	121 134 164	1	
5	100 331 008	1	Flat washer M16
6	122 000 350	1	Spring $\varnothing 14$ mm
7	100 333 003	1	Split pin $\varnothing 4 \times 25$ mm
8	121 134 234	1	
9	100 315 020	2	Nut M16
10	121 134 233	1	
11	100 311 030	1	Coach bolt M10 x 25 mm
12	100 331 006	1	Flat washer M10
13	100 316 004	1	Lock nut M10
14	121 134 286	1	
15	100 414 016	1	
18	100 331 007	4	Flat washer M12
19	100 304 033	4	Set screw M12 x 35 mm
20	121 150 184	1	
21	100 316 005	4	Lock nut M12
22	100 306 057	4	Set screw M16 x 50 mm
23	121 134 224	1	
24	100 316 006	4	Lock nut M16
25	121 134 288	1	
26	100 308 032	2	Set screw M8 x 35 mm
27	121 140 174	1	
28	100 332 003	2	Star washer M8
29	100 315 012	2	Nut M8
31	100 321 013	2	Torx screw M6 x 10 mm
32	100 332 002	2	Star washer M6
33	121 134 207	1	
34	100 401 077	1	Ball bearing # 6200 - 2RS1/C3
35	121 134 202	1	
36	121 134 168	1	
37	100 333 018	1	Slotted spring pin $\varnothing 6 \times 32$ mm
38	121 134 367	1	
39	100 407 028	1	Circlip $\varnothing 15 \times 1$ mm
40	100 414 016	1	
41	100 333 035	1	Split pin $\varnothing 5 \times 30$ mm
42	121 134 259	1	
44	100 304 033	2	Set screw M12 x 35 mm
45	121 134 177	1	Star washer M12
46	100 332 005	2	Star washer M12
47	100 315 016	2	Nut M12
48	121 134 172	1	
49	100 333 038	2	Slotted spring pin $\varnothing 8 \times 20$ mm
50	121 134 370	1	
51	121 134 371	1	
52	100 304 032	2	Set screw M12 x 30 mm
53	100 332 005	2	Star washer M12
54	121 134 369	1	
55	100 401 006	1	Ball bearing # 6304 - 2RS
56	100 407 019	1	Circlip $\varnothing 52 \times 2$ mm
57	121 134 203	1	
58	100 333 018	1	Slotted spring pin $\varnothing 6 \times 32$ mm

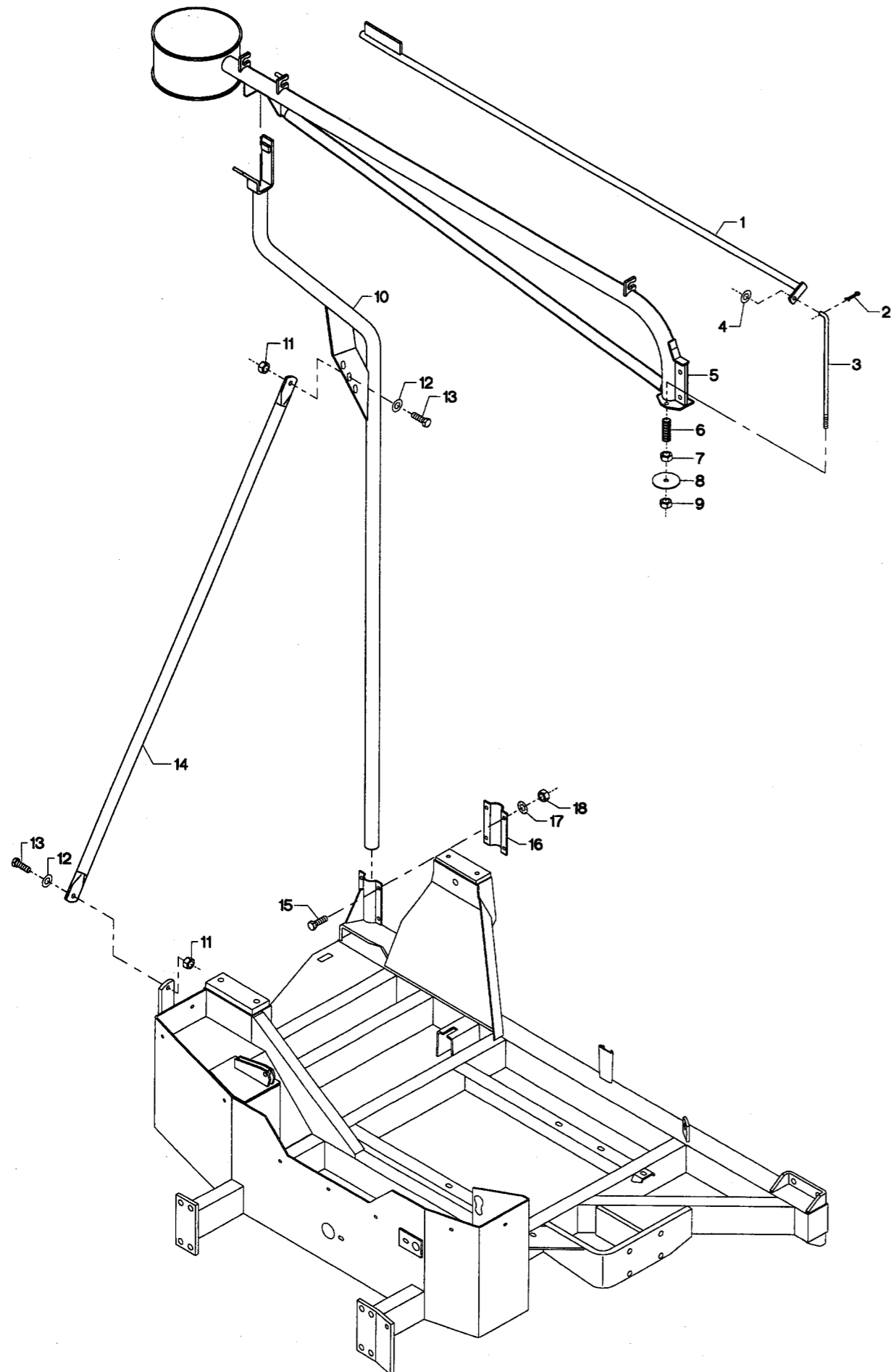


Fig.	Part no.	Pieces	Notes
1	121 150 025	1	
2	100 333 001	1	Split pin $\varnothing 3 \times 20$ mm
3	121 134 368	1	Threaded rod for locking device
4	100 331 007	1	Flat washer M12
5	121 150 022	1	
6	121 134 244	1	
7	100 315 016	1	Nut M12
8	121 141 043	1	
9	100 316 005	1	Lock nut M12
10	121 141 016	1	
11	100 316 005	2	Lock nut M12
12	100 331 007	2	Flat washer M12
13	100 304 033	2	Set screw M12 x 35 mm
14	121 134 224	1	
15	100 304 022	4	Set screw M10 x 25 mm
16	121 134 142	1	
17	100 332 004	4	Star washer M10
18	100 315 013	4	Nut M10

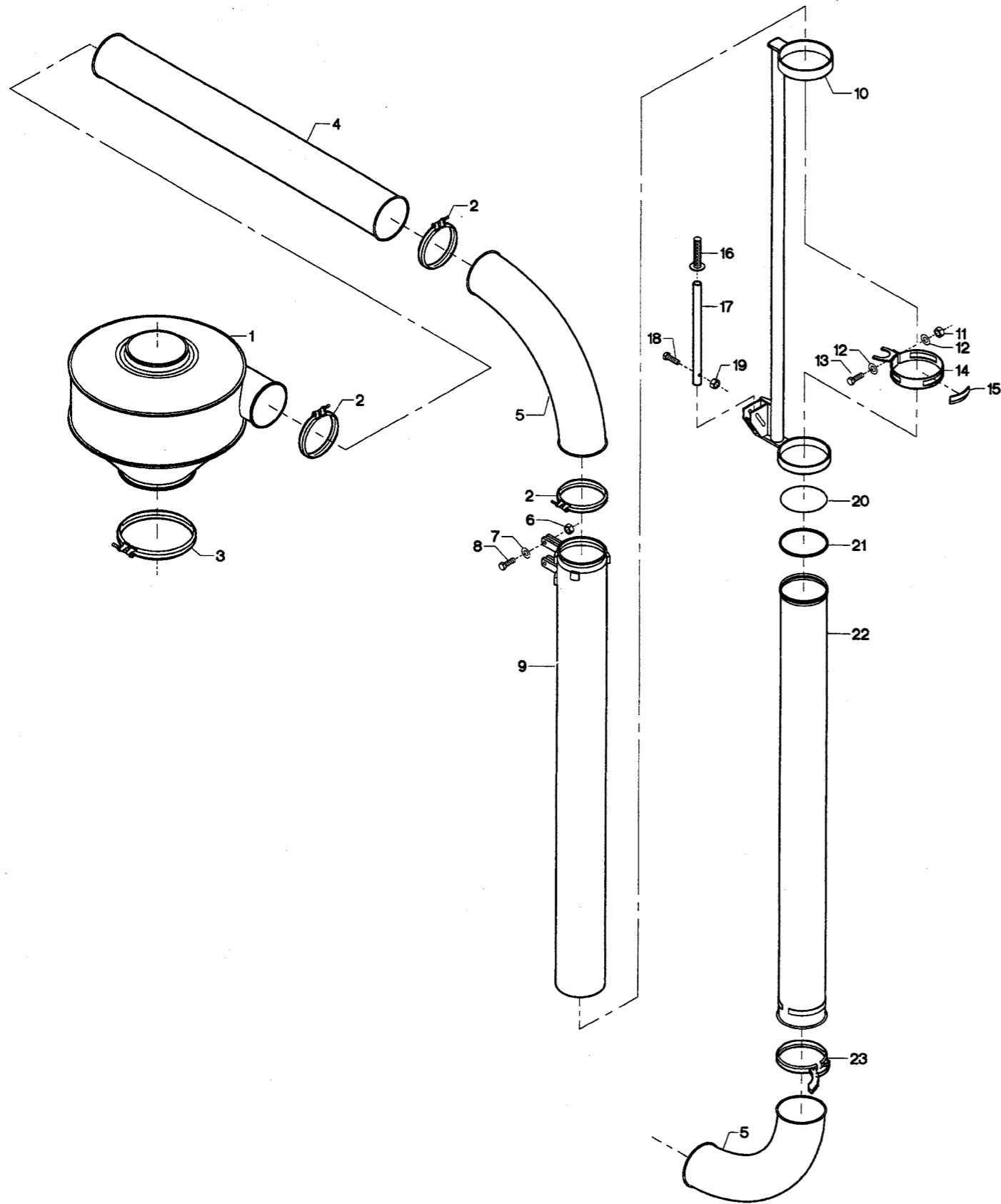


Fig.	Part no.	Pieces	Notes
1	122 000 787	1	UC cyclon OK160/OK250
2	122 000 857	3	Clamp with bolt OK160
3	122 000 603	1	Clamp with bolt OK250
4	122 010 073	1	Pipe OKR160, 1.36 m
5	122 020 169	2	Bend 90° OKR160
6	100 316 005	2	Lock nut M12
7	100 331 007	2	Flat washer M12
8	100 308 015	2	Set screw M12 x 45 mm
9	121 134 156	1	
10	121 134 143	1	
11	100 315 013	1	Nut M10
12	100 331 015	2	Flat washer M10
13	100 304 024	1	Set screw M10 x 35 mm
14	121 150 046	1	
15	121 150 239	3	
16	100 414 016	1	
17	121 134 221	1	
18	100 304 027	1	Set screw M10 x 50 mm
19	100 316 004	1	Lock nut M10
20	121 134 309	1	Spring
21	121 134 373	1	
22	121 134 308	1	
23	122 000 825	1	Quick release clamp OKR160

Kongskilde Industries A/S

Skælskørvej 64

DK - 4180 Sorø

Tel. +45 72 17 60 00

mail@kongskilde-industries.com

www.kongskilde-industries.com