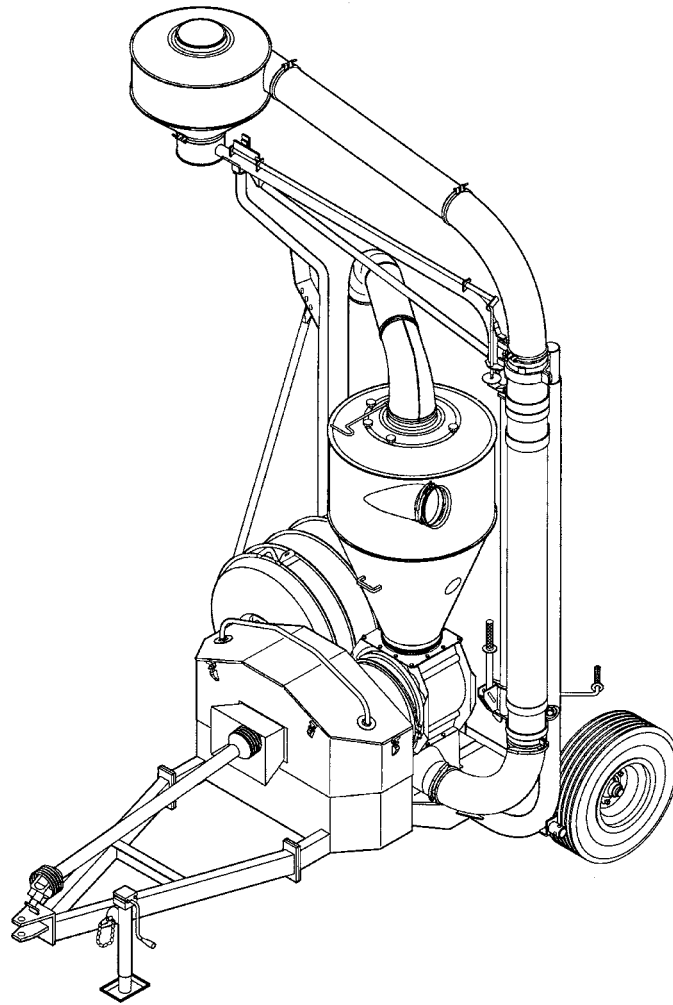


SUC 700TR

Suction blower - tractor powered



Spare parts list

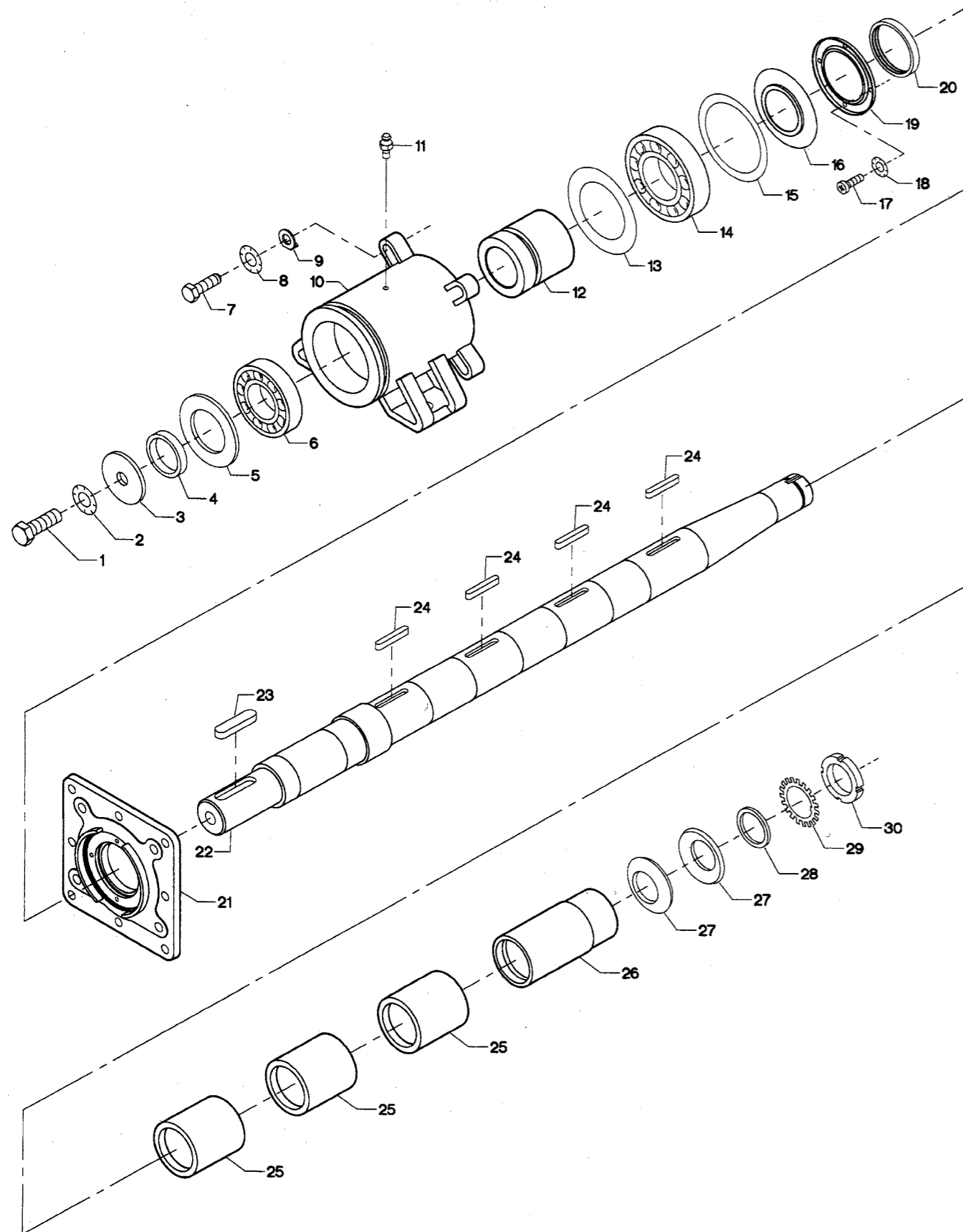


Fig.	Part no.	Pieces	Notes
1	100 304 044	1	Set screw M16 x 30 mm
2	100 332 006	2	Star washer M16
3	121 121 079	1	Flat washer ø65/17 x 5 mm
4	121 140 156	1	Spacer
5	100 413 065	1	
6	100 402 002	1	Ball bearing # 22210 CC C3
7	100 304 033	4	Set screw M12 x 35 mm
8	100 332 005	4	Star washer M12
9	121 140 024	4	
10	121 140 172	1	Bearing housing
11	100 421 000	1	Grease nipple M6
12	121 140 171	1	Spacer
13	100 323 344	1	
14	100 401 042	1	Ball bearing # 6310 Z C3
15	100 323 343	1	
16	121 140 019	1	Oil dip ring
17	100 321 010	4	Torx screw M5 x 12 mm
18	100 332 001	4	Star washer M5
19	121 140 017	1	Cover
20	121 150 243	1	
21	121 140 176	1	Shaft
22	121 140 149	1	Key 14 x 9 x 60 mm
23	100 405 007	1	Key 8 x 7 x 50 mm
24	100 405 013	4	Spacer
25	121 150 237	3	
26	121 150 238	1	Spacer
27	100 323 144	2	Disc washer
28	121 130 226	1	Spacer
29	100 407 025	1	Star washer MB 8
30	100 323 064	1	Ring nut KM 8
Cpl:	121 140 029	1	Bearing housing complete. Incl. items 1 - 30

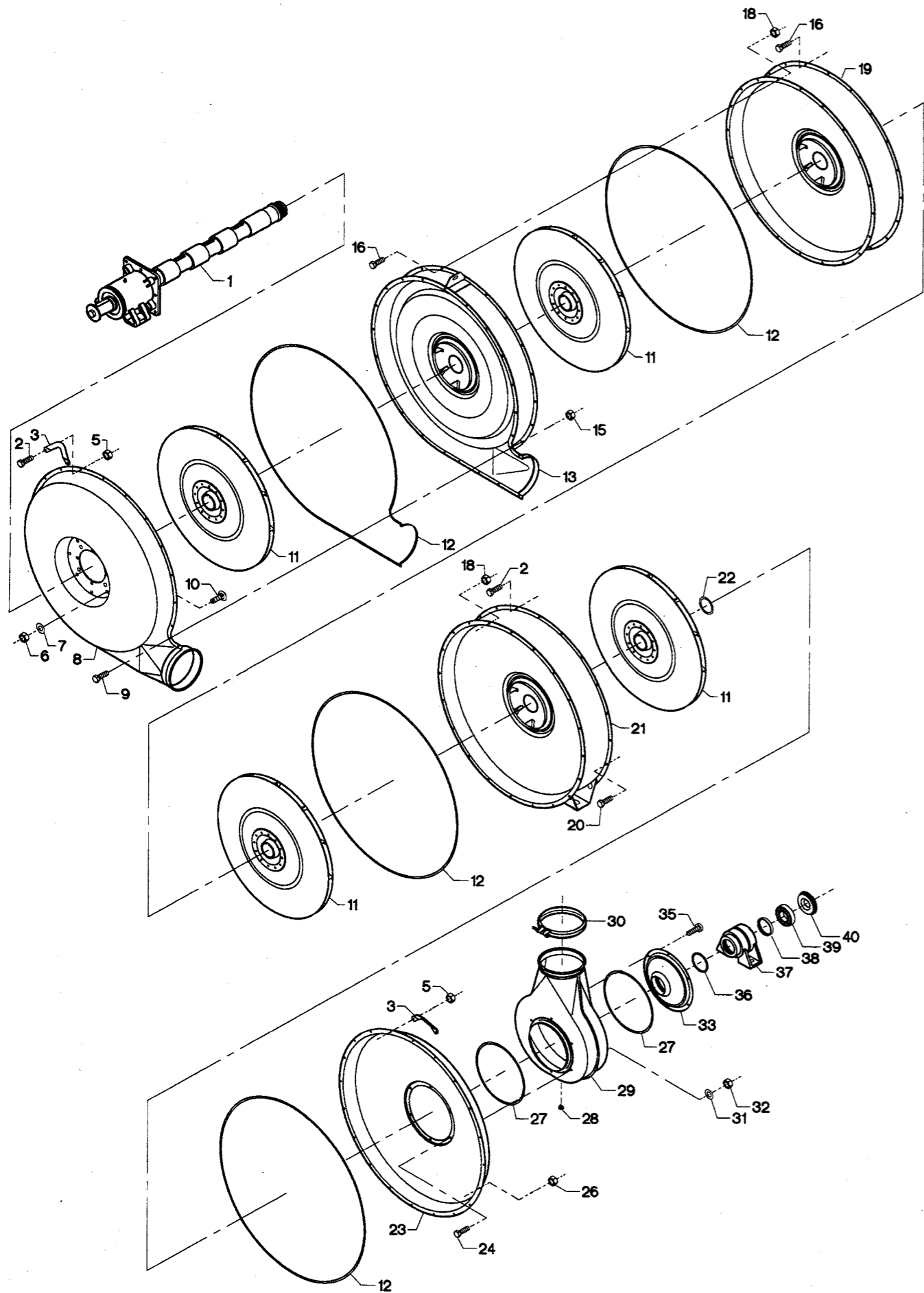


Fig.	Part no.	Pieces	Notes
1	121 140 029	1	Bearing housing complete
2	100 306 001	4	Set screw M6 x 20 mm
3	121 150 257	2	Handle
5	100 316 075	4	Lock nut w/flange M6
6	100 316 003	8	Lock nut M8
7	100 331 005	8	Flat washer M8
8	121 140 111	1	
9	100 323 398	21	Flange set screw M6 x 16 mm
10	100 311 017	8	Coach bolt M8 x 25 mm
11	121 150 166	4	Rotor
12	121 100 303	-	Sealing strip. Indicate length 13 m when ordering
13	121 120 385	1	
15	100 316 075	21	Lock nut w/flange M6
16	100 323 398	40	Flange set screw M6 x 16 mm
18	100 316 075	40	Lock nut w/flange M6
19	121 130 253	1	
20	100 323 398	18	Flange set screw M6 x 16 mm
21	121 140 123	1	
22	121 150 182	8	Flat washer
23	121 120 386	1	Cover
24	100 306 001	6	Set screw M6 x 20 mm
26	100 316 075	18	Lock nut w/flange M6
27	100 203 030	-	Sealing strip 2 x 6 mm. Indicate length 1.6 m when ordering
28	121 130 131	1	Valve
29	121 130 255	1	
30	122 000 857	1	Clamp with screw OK160
31	100 331 004	6	Flat washer M6
32	100 316 002	6	Lock nut M6
33	121 130 257	1	
35	100 308 018	6	Set screw M6 x 12 mm
36	100 413 066	1	O-ring
37	121 134 376	1	Bearing housing
38	121 150 243	1	Sealing ring
39	100 401 072	1	Ball bearing # 6208 - 2RS1/C3HT51
40	121 130 042	1	Bearing cover
Cpl:	121 140 130	1	Blower section complete including packing. Incl. items 1 - 40

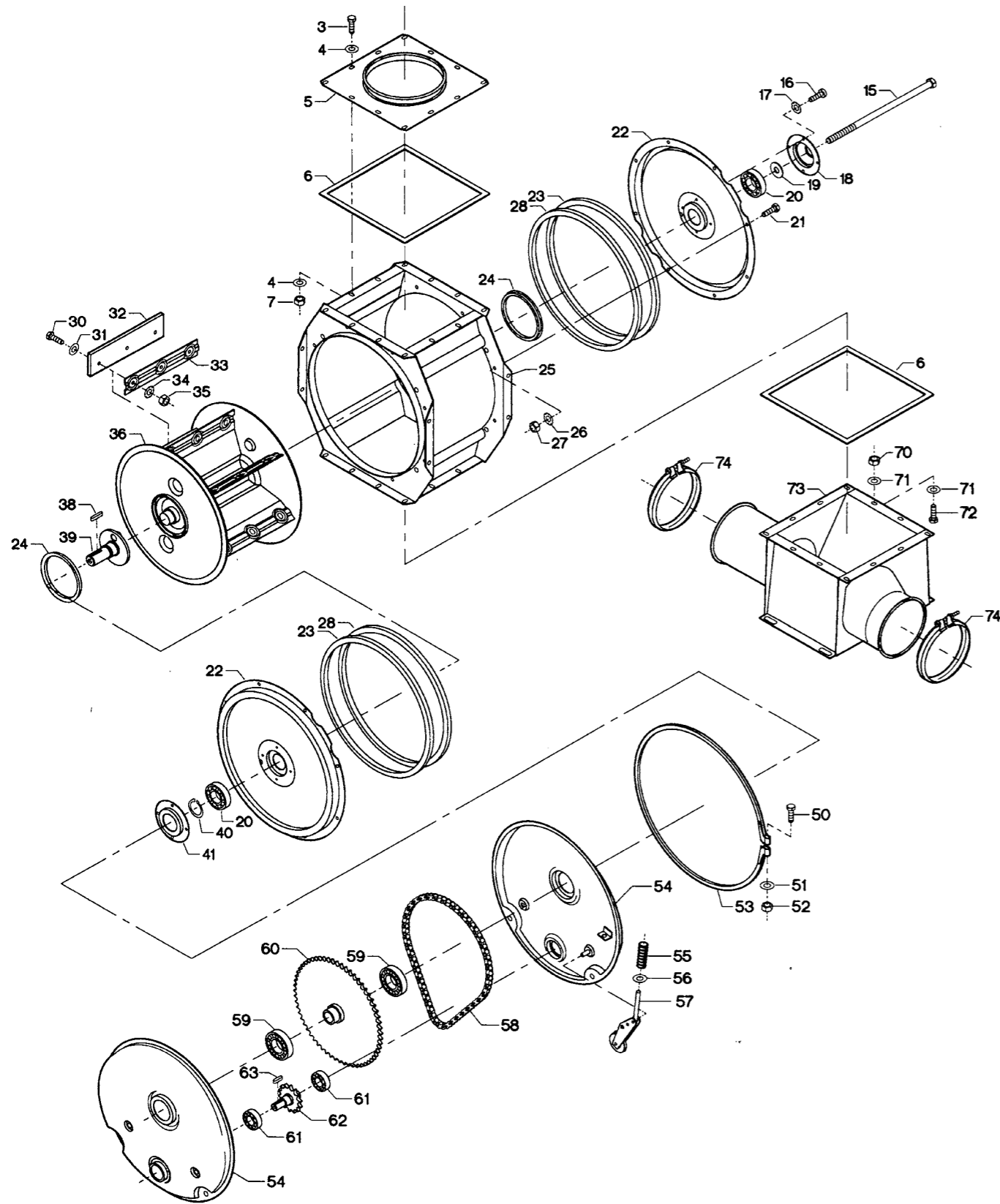


Fig.	Part no.	Pieces	Notes
3	100 306 014	12	Set screw M8 x 16 mm
4	100 331 005	24	Flat washer M8
5	121 108 235	1	
6	100 202 011	-	7 x 8 mm. Order 2.2 m
7	100 315 012	12	Nut M8
15	100 302 054	1	Bolt M16 x 320 mm
16	100 321 013	8	Torx screw M6 x 10 mm
17	100 332 002	8	Star washer M6
18	121 109 090	1	
19	121 108 135	1	
20	100 401 003	2	Ball bearing # 6207-2RS1
21	100 306 014	16	Set screw M8 x 16 mm
22	121 109 088	2	
23	121 100 349	2	
24	100 413 069	2	
25	121 108 232	1	Star washer M8
26	100 332 003	16	Nut M8
27	100 315 012	16	
28	121 100 368	2	
30	100 308 002	18	Set screw M8 x 25 mm
31	100 331 096	18	Flat washer M8
32	121 108 007	6	
33	121 108 136	6	
34	100 332 003	18	Star washer M8
35	100 315 012	18	Nut M8
36	121 108 215	1	Complete incl. items 30 - 36
Cpl:	121 108 117	1	Key 8 x 7 x 36 mm
38	100 405 015	1	
39	121 108 224	1	
40	100 407 009	1	Circlip ø35 x 1.5 mm
41	121 109 089	1	Complete incl. items 15 - 41
Cpl:	121 108 121	1	Set screw M8 x 75 mm
50	100 323 145	1	Flat washer M8
51	100 331 005	1	Nut M8
52	100 315 012	1	
53	121 140 047	1	Clamp
54	121 140 030	2	Chain housing
55	121 134 244	2	Spring
56	100 331 015	1	Flat washer M10
57	121 140 042	1	Trunbuckle
58	121 140 106	1	Chain
59	100 401 072	2	Ball bearing # 6208 - 2RS1/C3HT51
60	121 140 165	1	Chain wheel
61	100 401 032	2	Ball bearing # 6205 - 2RS1
62	121 140 164	1	
63	100 405 019	1	Key 6 x 6 x 28 mm
Cpl:	121 140 064	1	Incl. items 50 - 63
70	100 315 012	12	Nut M8
71	100 331 005	24	Flat washer M8
72	100 306 014	12	Set screw M8 x 16 mm
73	121 108 243	1	
74	122 001 078	2	Bolt clamp OK160, for spec. safety joint

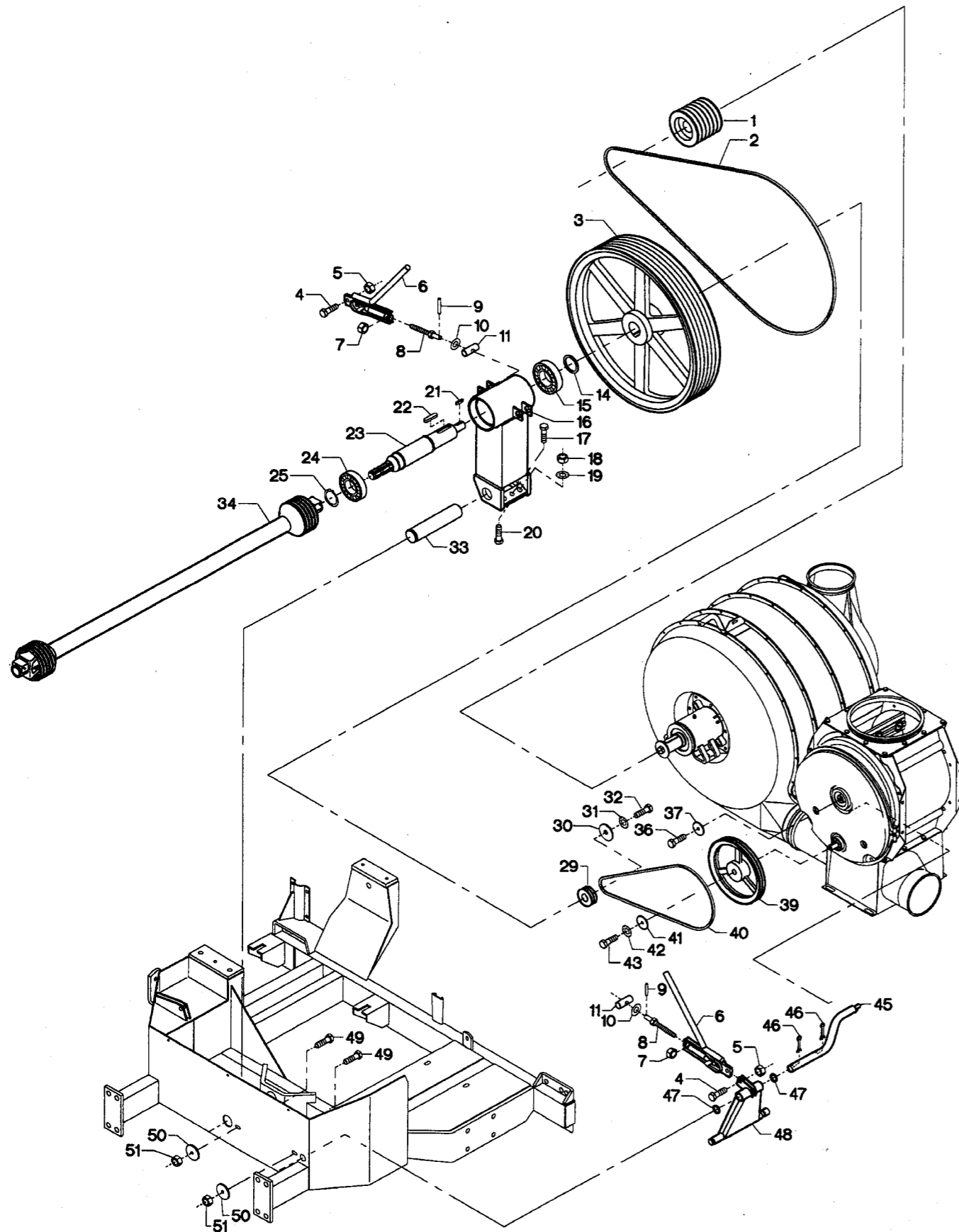


Fig.	Part no.	Pieces	Notes
1	121 140 058	1	V-belt pulley SPB 112 with 6 grooves
2	100 403 088	6	Raw edge moulded notch V-belt SPB 1900
3	121 140 059	1	V-belt pulley SPB 500 with 6 grooves
4	100 306 044	2	Set screw M12 x 40 mm
5	100 316 005	2	Lock nut M12
6	121 131 115	2	Nut M16
7	100 315 020	2	Nut M16
8	121 131 129	2	Slotted spring pin $\varnothing 6 \times 32$ mm
9	100 333 018	2	Slotted spring pin $\varnothing 6 \times 32$ mm
10	100 331 008	2	Flat washer 5/8"
11	121 131 285	2	Spacer
14	121 131 288	1	Ball bearing # 6311 - 2RS1
15	100 401 041	1	Ball bearing # 6311 - 2RS1
16	121 140 001	1	Set screw M16 x 40 mm
17	100 306 055	1	Set screw M16 x 40 mm
18	100 315 020	2	Nut M16
19	100 332 006	2	Star washer M16
20	100 306 056	2	Set screw M16 x 45 mm
21	100 405 015	1	Key 8 x 7 x 36 mm
22	100 405 010	1	Key 16 x 10 x 63 mm
23	121 140 178	1	Ball bearing # 6212 - 2RS1
24	100 401 013	1	Ball bearing # 6212 - 2RS1
25	100 407 015	1	Circlip $\varnothing 60 \times 2$ mm
29	121 140 008	1	V-belt pulley SPZ 57 with 3 grooves
30	121 121 079	1	Flat washer
31	100 332 006	1	Star washer M16
32	100 306 055	1	Set screw M16 x 40 mm
Cpl.	121 140 000	1	Shaft complete. Incl. items 14 - 32
33	121 140 167	1	PTO shaft, 70 hp - 1000 rpm
34	199 073 340	1	PTO shaft, 70 hp - 1000 rpm
36	100 306 017	1	Set screw M8 x 30 mm
37	121 000 021	1	Flat washer $\varnothing 42/9 \times 3$ mm
39	121 140 066	1	V-belt pulley SPZ 225 with 2 grooves
40	100 403 089	2	Raw edge moulded notch V-belt SPZ 1120
41	121 000 021	1	Flat washer $\varnothing 42/9 \times 3$ mm
42	100 332 003	1	Star washer M8
43	100 308 002	1	Set screw M8 x 25 mm
45	121 140 075	1	Split pin $\varnothing 6.3 \times 32$ mm
46	100 333 059	2	Split pin $\varnothing 6.3 \times 32$ mm
47	121 140 161	2	Split pin $\varnothing 6.3 \times 32$ mm
48	121 140 069	1	Set screw M10 x 25 mm
49	100 306 029	2	Set screw M10 x 25 mm
50	121 140 168	2	Lock nut M10
51	100 316 004	2	Lock nut M10

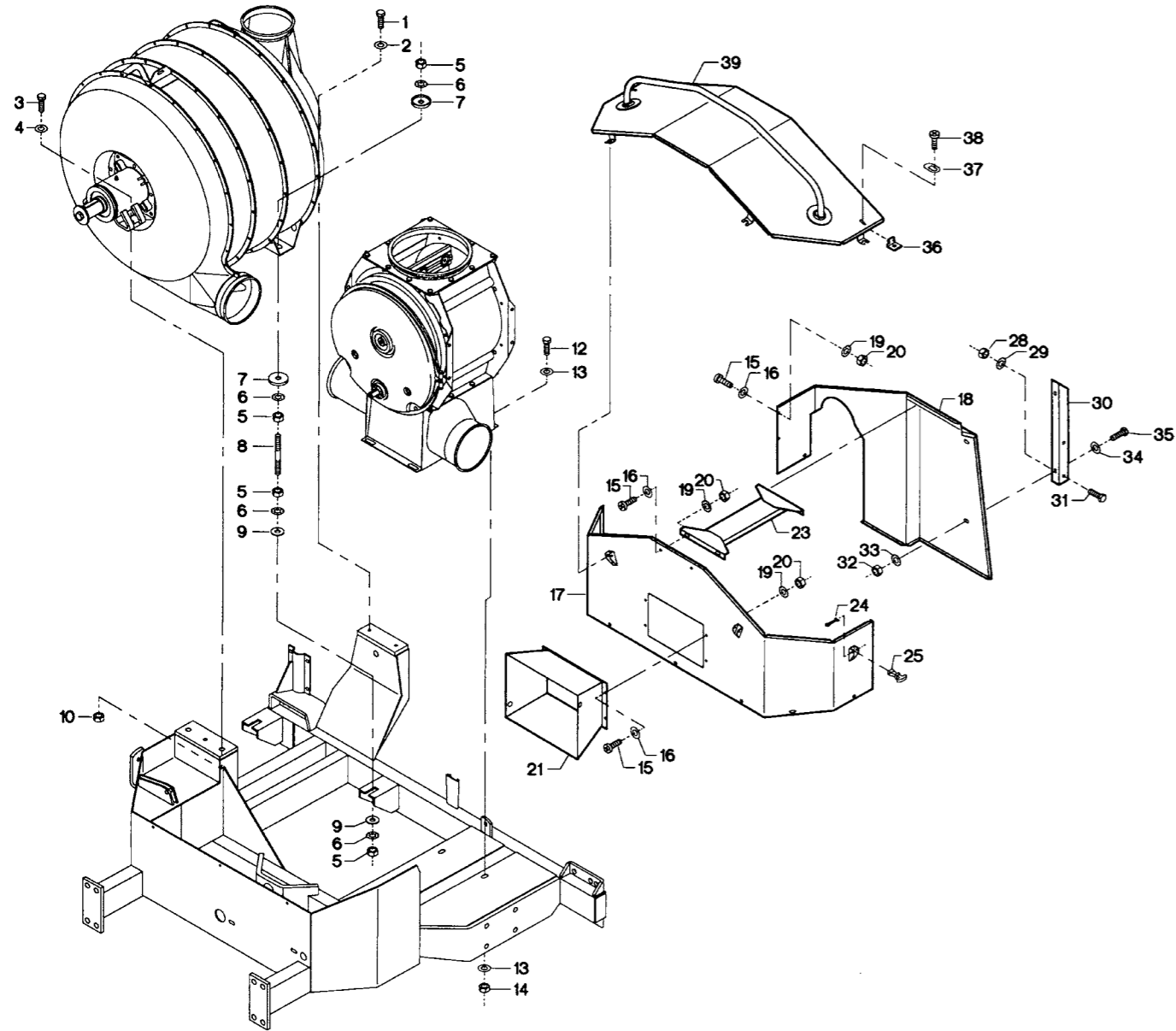


Fig.	Part no.	Pieces	Notes
1	100 306 042	2	Set screw M12 x 25 mm
2	100 331 007	2	Flat washer M12
3	100 306 055	2	Set screw M16 x 40 mm
4	100 331 008	2	Flat washer M16
5	100 315 020	8	Nut M16
6	100 332 006	8	Star washer M16
7	121 140 124	4	
8	121 140 125	2	
9	121 108 135	4	Flat washer ø42/17 x 3 mm
10	100 316 006	2	Lock nut M16
12	100 306 042	4	Set screw M12 x 25 mm
13	100 331 007	8	Flat washer M12
14	100 316 005	4	Lock nut M12
15	100 321 015	17	Torx screw M6 x 16 mm
16	100 331 004	34	Flat washer M6
17	121 141 000	1	Star washer M6
18	121 141 002	1	Nut M6
19	100 332 002	17	
20	100 315 028	17	
21	121 131 261	1	
23	121 141 003	1	Spacer
24	100 333 004	4	Split pin ø5 x 30 mm
25	121 131 191	4	
28	100 315 013	2	Nut M10
29	100 332 004	2	Star washer M10
30	121 141 001	1	Set screw M10 x 20 mm
31	100 308 004	2	Nut M8
32	100 315 012	2	Star washer M8
33	100 332 003	2	Flat washer M8
34	100 331 005	2	
35	100 306 014	2	Set screw M8 x 16 mm
36	121 000 402	2	
37	121 000 686	2	
38	100 321 010	2	Torx screw M5 x 12 mm
39	121 141 004	1	

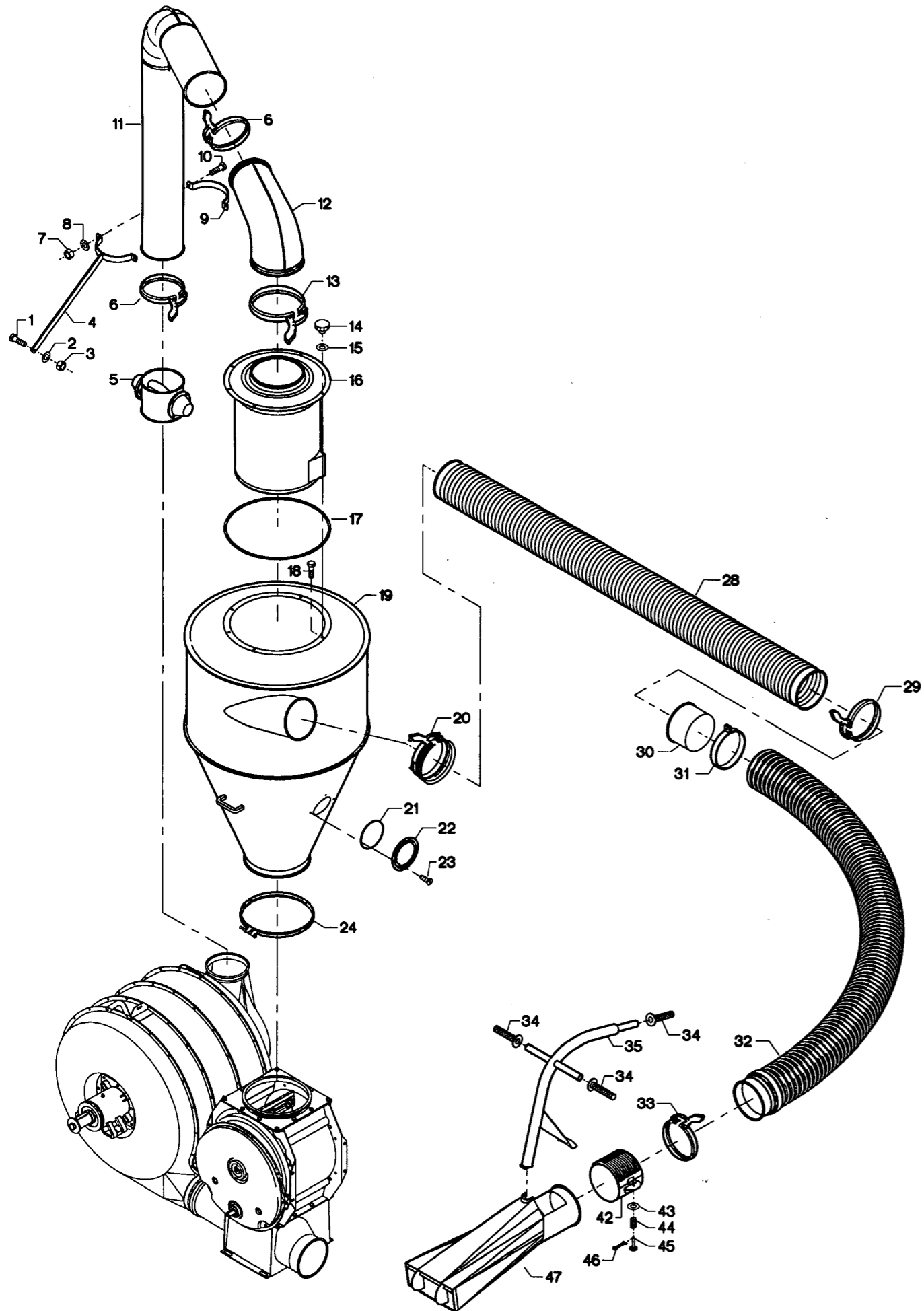


Fig.	Part no.	Pieces	Notes
1	100 308 002	1	Set screw M8 x 25 mm
2	100 332 003	1	Star washer M8
3	100 315 012	1	Nut M8
4	121 140 068	1	
5	121 150 186	1	
6	122 000 825	1	Quick release clamp OKR160
7	100 315 012	2	Nut M8
8	100 332 003	2	Star washer M8
9	121 140 174	1	
10	100 308 032	2	Set screw M8 x 35 mm
11	121 141 106	1	
12	121 140 175	1	
13	122 050 077	1	Quick release clamp OK200
14	100 414 050	5	Star handle M8
15	100 331 013	5	Flat washer 1/4"
16	121 150 260	1	
17	121 100 303	-	Sealing strip. Indicate length 1.3 m when ordering
18	100 308 002	5	Set screw M8 x 25 mm
19	121 141 093	1	
20	122 000 716	1	Quick release clamp OK160
21	121 000 090	1	
22	121 000 089	1	
23	100 323 011	4	Self-tapping screw # 8 x 5/16"
Cpl:	121 140 151	1	Cyclone Ø700 complete. Incl. items 14 - 23
24	122 000 603	1	Bolt clamp OK250
29	122 000 825	1	Quick release clamp OKR160
Cpl:	121 000 639	1	Steel suction pipe complete. Incl. items 28 + 29
30	121 000 775	2	
31	100 420 172	2	Clamp
Cpl:	121 000 645	1	Suction pipe 2.6 m complete. Incl. items 29 - 32
33	122 000 825	1	Quick release clamp OKR160
34	100 414 016	3	Handle
35	121 130 246	1	Handle complete. Incl. items 34 + 35
42	121 130 100	1	
43	100 331 013	1	Flat washer M6
44	121 120 116	1	Spring
45	121 120 113	1	
46	100 333 000	1	Split pin ø2 x 15 mm
47	121 130 266	1	Suction head
Cpl:	121 130 247	1	Suction head complete. Incl. items 33 - 47

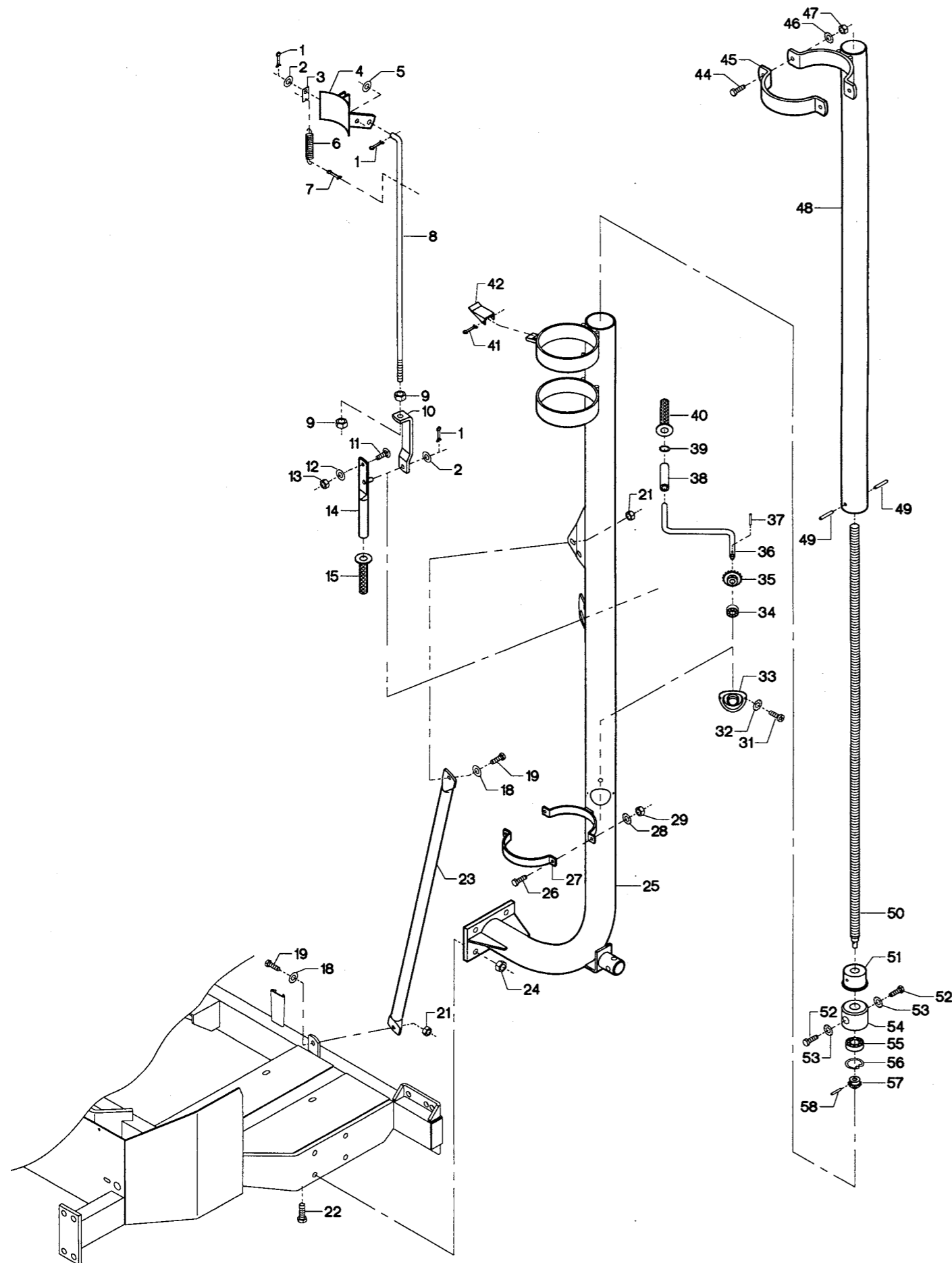


Fig.	Part no.	Pieces	Notes
1	100 333 002	3	Split pin $\varnothing 3 \times 30$ mm
2	100 331 007	2	Flat washer M12
3	121 134 258	1	
4	121 134 164	1	
5	100 331 008	1	Flat washer M16
6	122 000 350	1	Spring $\varnothing 14$ mm
7	100 333 003	1	Split pin $\varnothing 4 \times 25$ mm
8	121 134 234	1	
9	100 315 020	2	Nut M16
10	121 134 233	1	
11	100 311 030	1	Coach bolt M10 x 25 mm
12	100 331 006	1	Flat washer M10
13	100 316 004	1	Lock nut M10
14	121 134 286	1	
15	100 414 016	1	
18	100 331 007	2	Flat washer M12
19	100 304 033	2	Set screw M12 x 35 mm
21	100 316 005	2	Lock nut M12
22	100 306 057	4	Set screw M16 x 50 mm
23	121 134 224	1	
24	100 316 006	4	Lock nut M16
25	121 134 288	1	
26	100 308 032	2	Set screw M8 x 35 mm
27	121 140 174	1	
28	100 332 003	2	Star washer M8
29	100 315 012	2	Nut M8
31	100 321 013	2	Torx screw M6 x 10 mm
32	100 332 002	2	Star washer M6
33	121 134 207	1	
34	100 401 077	1	Ball bearing # 6200 - 2RS1/C3
35	121 134 202	1	
36	121 134 168	1	
37	100 333 018	1	Slotted spring pin $\varnothing 6 \times 32$ mm
38	121 134 367	1	
39	100 407 028	1	Circlip $\varnothing 15 \times 1$ mm
40	100 414 016	1	
41	100 333 035	1	Split pin $\varnothing 5 \times 30$ mm
42	121 134 259	1	
44	100 304 033	2	Set screw M12 x 35 mm
45	121 134 177	1	
46	100 332 005	2	Star washer M12
47	100 315 016	2	Nut M12
48	121 134 172	1	
49	100 333 038	2	Slotted spring pin $\varnothing 8 \times 20$ mm
50	121 134 370	1	
51	121 134 371	1	
52	100 306 043	2	Set screw M12 x 30 mm
53	100 332 005	2	Star washer M12
54	121 134 369	1	
55	100 401 006	1	Ball bearing # 6304 - 2RS
56	100 407 019	1	Circlip $\varnothing 52 \times 2$ mm
57	121 134 203	1	
58	100 333 018	1	Slotted spring pin $\varnothing 6 \times 32$ mm

Kongskilde Industries A/S

Skælskørvej 64

DK - 4180 Sorø

Tel. +45 72 17 60 00

mail@kongskilde-industries.com

www.kongskilde-industries.com