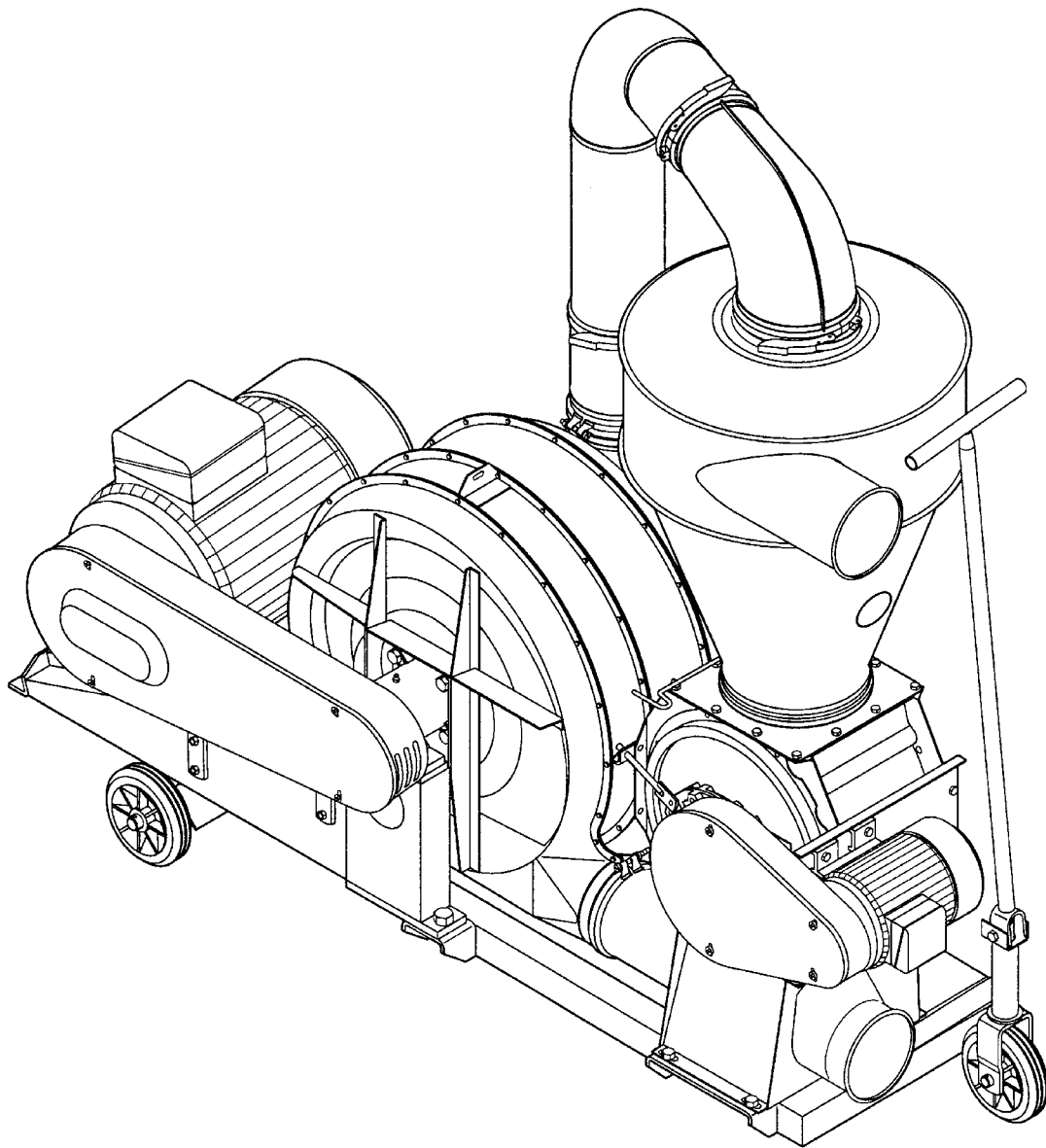


# **SUC 500E**

## Suction blower



Spare parts list

# SUC 500E

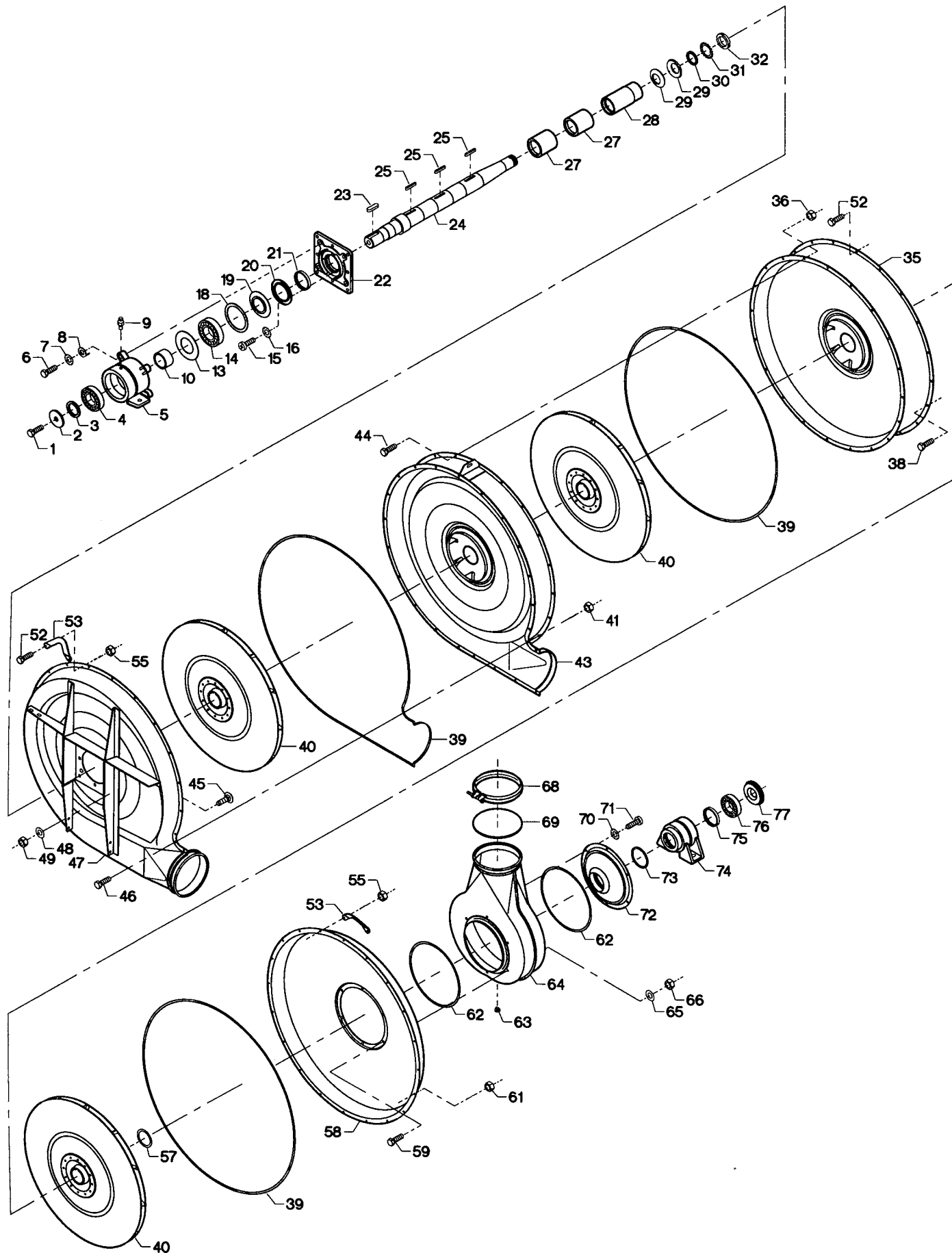


Fig.	Part no.	Pieces	Notes
1	100 304 044	1	Set screw M16 x 30 mm
2	121 121 079	1	
3	121 130 228	1	
4	100 401 043	1	Ball bearing # 6309 Z C3
5	121 130 264	1	
6	100 304 033	4	Set screw M12 x 35 mm
7	100 332 005	4	Star washer M12
8	121 140 024	4	
9	100 421 000	1	Grease nipple M6
10	121 130 241	1	
13	100 323 344	1	99 x 109 x 0.6 mm
14	100 401 042	1	Ball bearing # 6310 Z C3
15	100 321 010	4	Torx screw M5 x 12 mm
16	100 332 001	4	Star washer M5
18	100 323 343	1	Spacer ZW 90 x 110 mm
19	121 140 019	1	
20	121 140 017	1	
21	121 150 243	1	
22	121 140 176	1	
23	100 405 005	1	Key 14 x 9 x 40 mm
24	121 130 223	1	Complete incl. items 1 - 24
Cpl.	121 130 251	1	Key 8 x 7 x 50 mm
25	100 405 013	3	
27	121 150 237	2	
28	121 150 238	1	
29	100 323 144	2	Disc washer 70 x 40.5 x 4 mm
30	121 130 226	1	
31	100 407 025	1	Star washer MB 8
32	100 323 064	1	Ring nut KM 8
35	121 130 253	1	
36	100 316 075	20	Flange nut M6
37	100 332 002	20	Star washer M6
38	100 323 398	18	Flange set screw M6 x 16 mm
39	121 100 303	-	Sealing strip. Indicate length 8.3 m when ordering
40	121 150 166	3	
41	100 316 075	21	Flange nut M6
43	121 120 385	1	
44	100 323 398	20	Flange set screw M6 x 16 mm
45	100 311 017	8	Coach bolt M8 x 25 mm
46	100 323 398	21	Flange set screw M6 x 16 mm
47	121 120 384	1	
48	100 331 005	8	Flat washer M8
49	100 316 003	8	Lock nut M8
52	100 306 001	4	Set screw M6 x 20 mm
53	121 150 257	2	
55	100 316 075	4	Flange nut M6
57	121 150 182	8	Flat washer
58	121 120 386	1	
59	100 306 001	6	Set screw M6 x 20 mm
61	100 316 075	18	Flange nut M6
62	100 203 030	-	Sealing strip 2 x 6 mm. Indicate length 1.6 m when ordering
63	121 130 131	1	
64	121 130 255	1	
65	100 331 004	6	Flat washer M6
66	100 316 002	6	Lock nut M6
68	122 000 857	1	Clamp with bolt OK160
69	110 101 105	1	
70	100 332 002	6	Star washer M6
71	100 308 018	6	Set screw M6 x 12 mm
72	121 130 257	1	
73	100 413 066	1	O-ring 84.2 x 5.7 mm
74	121 134 376	1	
75	121 150 243	1	
76	100 401 072	1	Ball bearing # 6208 - 2RS1/C3HT51
77	121 130 042	1	
Cpl.	121 130 132	1	Complete incl. items 1 - 77

# SUC 500E

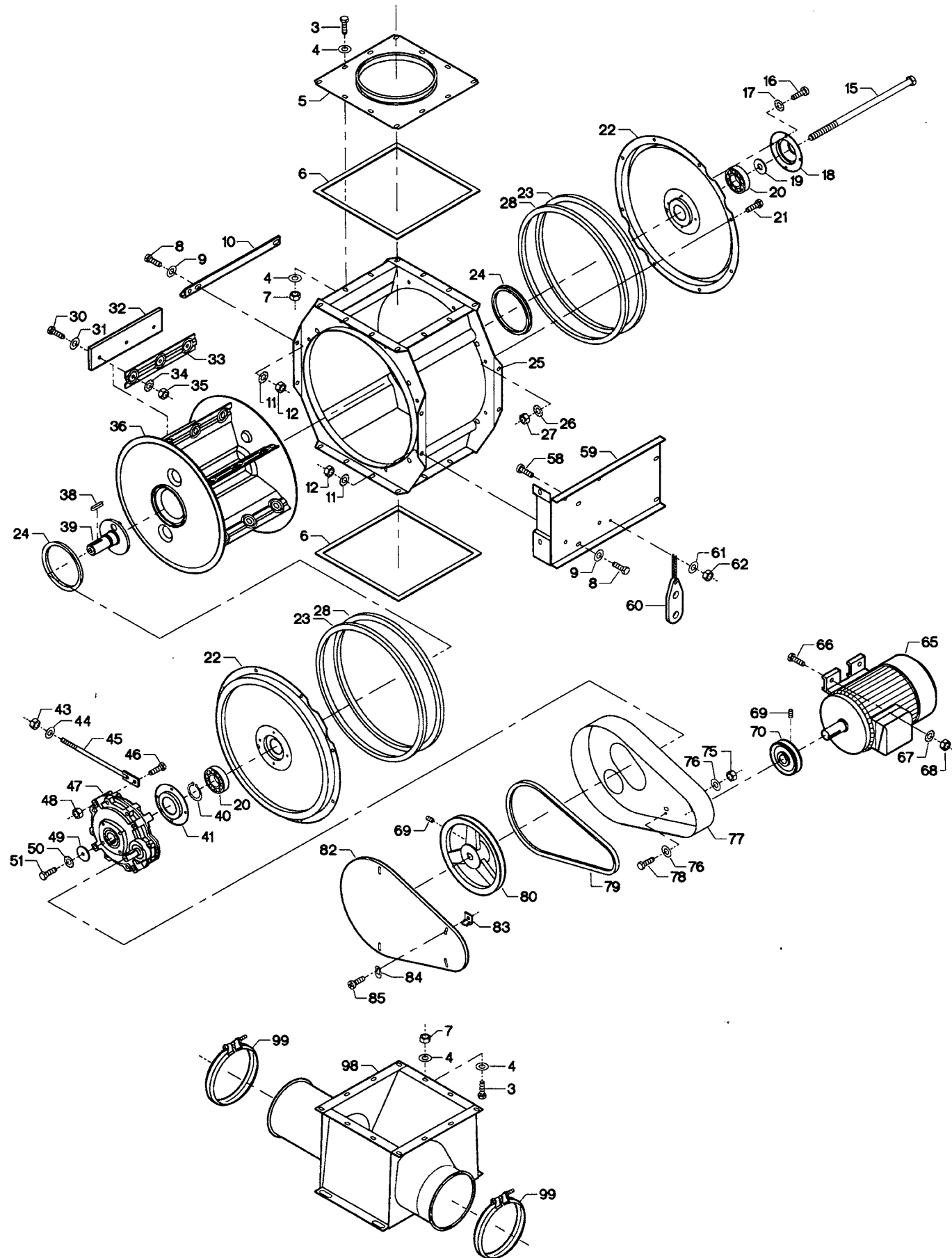


Fig.	Part no.	Pieces	Notes
3	100 306 014	24	Set screw M8 x 15 mm
4	100 331 005	48	Flat washer M8
5	121 108 235	1	
6	100 202 011	-	7 x 8 mm. Order 2.2 m
7	100 315 012	24	Nut M8
8	100 308 004	6	Set screw M10 x 20 mm
9	100 331 006	6	Flat washer M10
10	121 108 040	1	
11	100 332 004	6	Star washer M10
12	100 315 013	6	Nut M10
15	100 302 054	1	Bolt M16 x 320 mm
16	100 321 013	8	Torx screw M6 x 10 mm
17	100 332 002	8	Star washer M6
18	121 109 090	1	
19	121 108 135	1	
20	100 401 003	2	Ball bearing # 6207-2RS
21	100 306 014	16	Set screw M8 x 15 mm
22	121 109 088	2	
23	121 100 349	2	
24	100 413 069	2	
25	121 108 232	1	Star washer M8
26	100 332 003	16	Nut M8
27	100 315 012	16	Nut M8
28	121 100 368	2	
30	100 308 002	18	Set screw M8 x 25 mm
31	100 331 096	18	Flat washer M8
32	121 108 007	6	
33	121 108 136	6	
34	100 332 003	18	Star washer M8
35	100 315 012	18	Nut M8
36	121 108 215	1	Complete incl. items 30 - 36
38	100 405 015	1	Key 8 x 7 x 36 mm
39	121 108 224	1	
40	100 407 009	1	Circlip ø35 x 1.5 mm
41	121 109 089	1	Complete incl. items 15 - 41
43	121 108 121	1	Nut M10
44	100 315 013	1	Flat washer M10
45	100 331 006	1	
46	121 108 148	1	
46	100 306 111	1	Bolt M8 x 80 mm
47	121 122 140	1	Gear AM11
48	100 316 003	1	Lock nut M8
49	121 000 021	1	ø42/ø9 x 3 mm
50	100 332 003	1	Star washer M8
51	100 306 017	1	Set screw M8 x 30 mm
58	100 321 015	1	Torx screw M6 x 15/16 mm
59	121 108 037	1	
60	100 511 001	1	
61	100 331 004	1	Flat washer M6
62	100 315 028	1	Nut M6
65	100 501 008	1	Motor 1.5 kW, 3 x 380 V, 50 Hz
66	100 308 002	4	Set screw M8 x 25 mm
67	100 332 003	4	Star washer M8
68	100 315 012	4	Nut M8
69	100 322 001	1	Stop screw M6 x 10 mm
70	121 106 033	1	V-belt pulley A-85/1 groove, bore ø24 mm. 50 Hz/1400 rpm
75	100 315 012	2	Nut M8
76	100 331 005	4	Flat washer M8
77	121 108 142	1	
78	100 316 014	2	Set screw M8 x 16 mm
79	100 403 018	1	V-belt A37.5
80	121 122 052	1	V-belt pulley SPA 212/1 groove, bore ø18 mm
82	121 108 143	1	
83	121 000 402	4	
84	121 000 686	4	Torx screw M5 x 12 mm
85	100 321 010	4	Torx screw M5 x 12 mm
98	121 108 243	1	
99	122 001 078	2	Bolt clamp OK160, for spec. safety joint

# SUC 500E

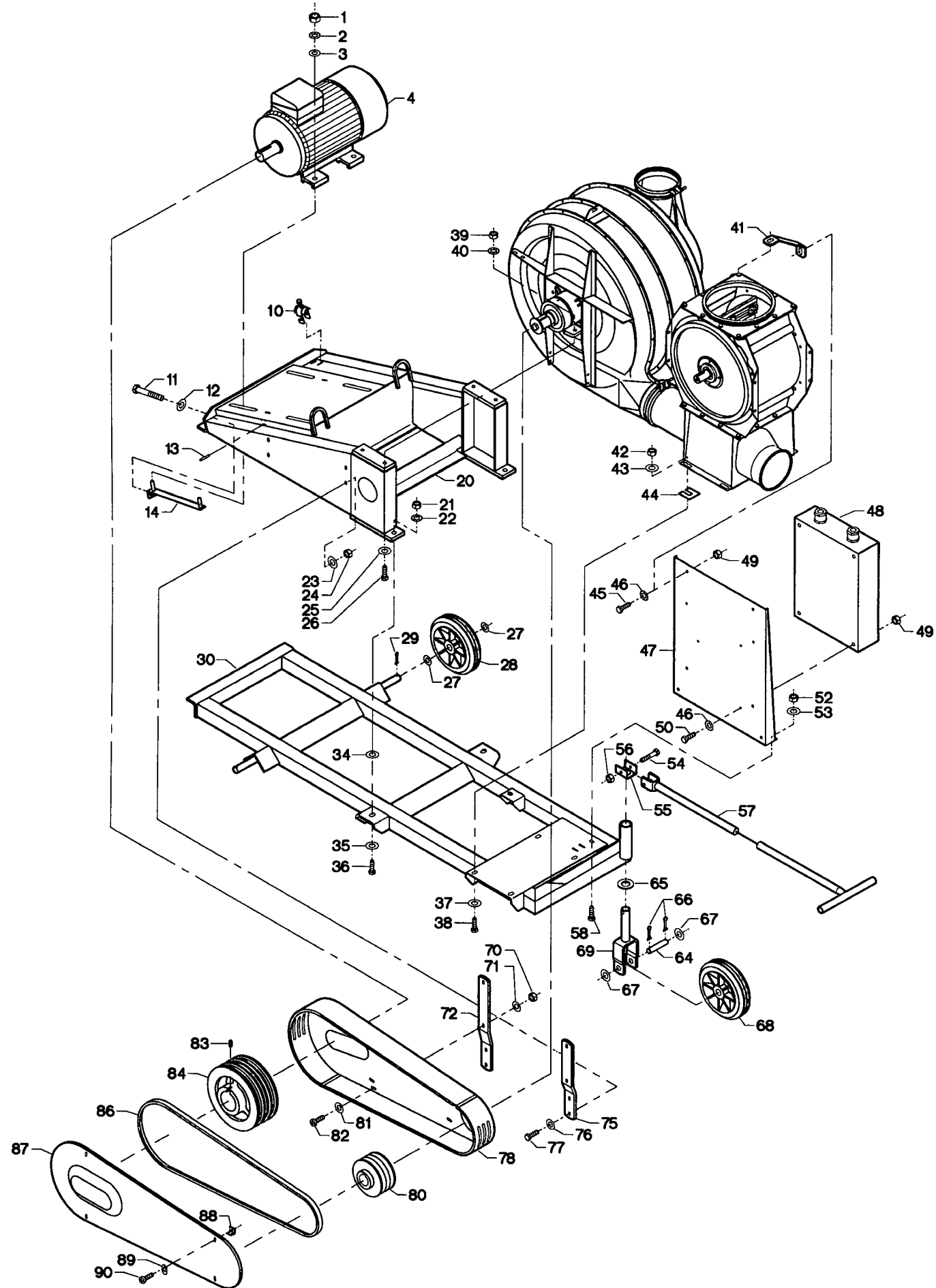


Fig.	Part no.	Pieces	Notes
1	100 315 020	4	Nut M16
2	100 332 006	4	Star washer M16
3	100 331 012	4	Flat washer M16
4	100 501 058	1	Motor, K21R, 200LX2, 37 kW, B3, 3 x 400 V, 50 Hz-2940 rpm
10	100 511 005	1	
11	121 133 011	2	Flat washer M16
12	100 331 012	2	Flat washer M16
13	100 333 018	2	Slottet spring pin $\phi 6 \times 32$ mm
14	121 133 012	2	Flat washer M16
20	121 133 098	1	
21	100 315 020	4	Nut M16
22	100 332 006	4	Star washer M16
23	100 331 005	4	Flat washer M8
24	100 315 012	4	Nut M8
25	100 331 007	4	Flat washer M12
26	100 304 033	4	Set screw M12 x 35 mm
27	121 000 333	4	Flat washer $\phi 26 \times 40 \times 2$ mm
28	100 412 005	2	Split pin $\phi 6 \times 40$ mm
29	100 333 005	2	Split pin $\phi 6 \times 40$ mm
30	121 132 078	1	
34	100 331 012	3	Flat washer M16
35	100 331 008	3	Flat washer M16
36	100 306 056	3	Set screw M16 x 45 mm
37	100 331 007	4	Flat washer M12
38	100 306 043	4	Set screw M12 x 30 mm
39	100 315 016	4	Nut M12
40	100 332 005	4	Star washer M12
41	121 132 070	1	
42	100 316 005	4	Lock nut M12
43	100 331 007	4	Flat washer M12
44	113 034 034	1	1 mm
	113 034 035	1	2 mm
	113 034 036	1	3 mm
45	100 308 002	1	Set screw M8 x 25 mm
46	100 332 003	4	Star washer M8
47	121 133 105	1	
48	100 503 135	1	Motor protection starter box 3 x 400 V - 50 Hz
49	100 315 012	4	Nut M8
50	100 306 015	4	Set screw M8 x 20 mm
52	100 315 013	2	Nut M10
53	100 332 004	2	Star washer M10
54	100 306 037	1	Bolt M10 x 65
55	121 132 066	1	
56	100 316 004	1	Lock nut M10
57	121 132 067	1	
58	100 308 004	2	Set screw M10 x 20 mm
64	121 000 163	1	
65	100 323 020	1	Flat washer $\phi 33 \times 60 \times 5$ mm
66	100 333 005	2	Split pin $\phi 6 \times 40$ mm
67	121 000 333	2	Flat washer $\phi 26 \times 40 \times 2$ mm
68	100 412 003	1	
69	121 000 746	1	
70	100 315 012	4	Nut M8
71	100 331 005	4	Flat washer M8
72	121 133 107	1	
75	121 133 109	1	
76	100 331 005	4	Flat washer M8
77	100 308 002	4	Set screw M8 x 25 mm
78	121 133 111	1	
80	121 133 034	1	SPB 160/3, bore $\phi 45$ mm
81	100 331 005	4	Flat washer M8
82	100 306 015	4	Set screw M8 x 20 mm
83	100 322 004	1	Stop screw M10 x 10 mm
84	121 133 039	1	SPB 240/3, bore $\phi 55$ mm
86	100 403 246	3	Raw edge moulded notch V-belt XPB 2000mm
87	121 133 113	1	
88	121 000 402	4	
89	121 000 686	4	
90	100 321 010	4	Torx screw M5 x 12 mm



# SUC 500E

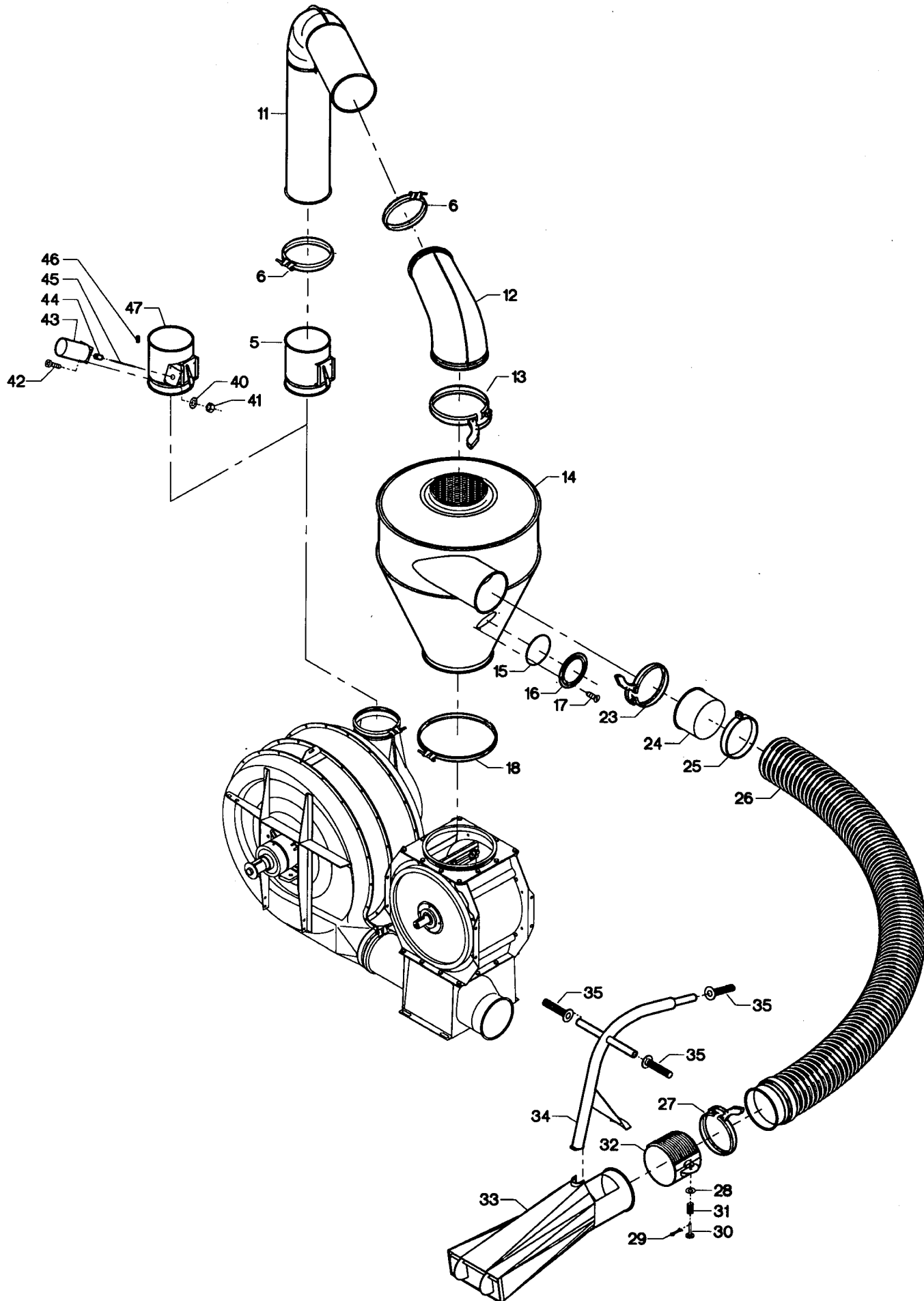


Fig.	Part no.	Pieces	Notes
5	121 130 259	1	Clamp with bolt OK160 OK160 for OK250 cyklone OK160/200 for OK250 cyklone Quick release clamp OK200
6	122 000 857	2	
11	121 131 289	1	
12	121 140 175	1	
13	122 050 077	1	
15	121 000 090	1	Crosshead screw M4.2 x 8 mm Fig. 14 - 17 OK250 cyklone Bolt clamp OK250
16	121 000 089	1	
17	100 323 011	1	
Cpl:	121 130 262	1	
18	122 000 603	1	
23	122 000 825	1	Quick release clamp OKR160
24	121 000 775	2	
25	100 420 172	2	
Cpl:	121 000 645	1	
27	122 000 825	1	
28	100 331 013	1	Flat washer M6 Split pin ø2 x 15 mm
29	100 333 000	1	
30	121 120 113	1	
31	121 120 116	1	
32	121 130 100	1	
33	121 130 266	1	
34	121 130 246	1	
35	100 414 016	3	Fig. 27 - 35 Star washer M5
Cpl:	121 130 247	1	
40	100 332 001	4	
41	100 315 005	4	
42	100 321 010	4	
43	100 503 138	1	
44	121 133 095	1	
45	121 133 064	1	
46	100 322 000	1	Stop screw M6 x 6 mm
47	121 133 101	1	



**Kongskilde Industries A/S**

Skælskørvej 64

DK - 4180 Sorø

Tel. +45 72 17 60 00

[mail@kongskilde-industries.com](mailto:mail@kongskilde-industries.com)

[www.kongskilde-industries.com](http://www.kongskilde-industries.com)