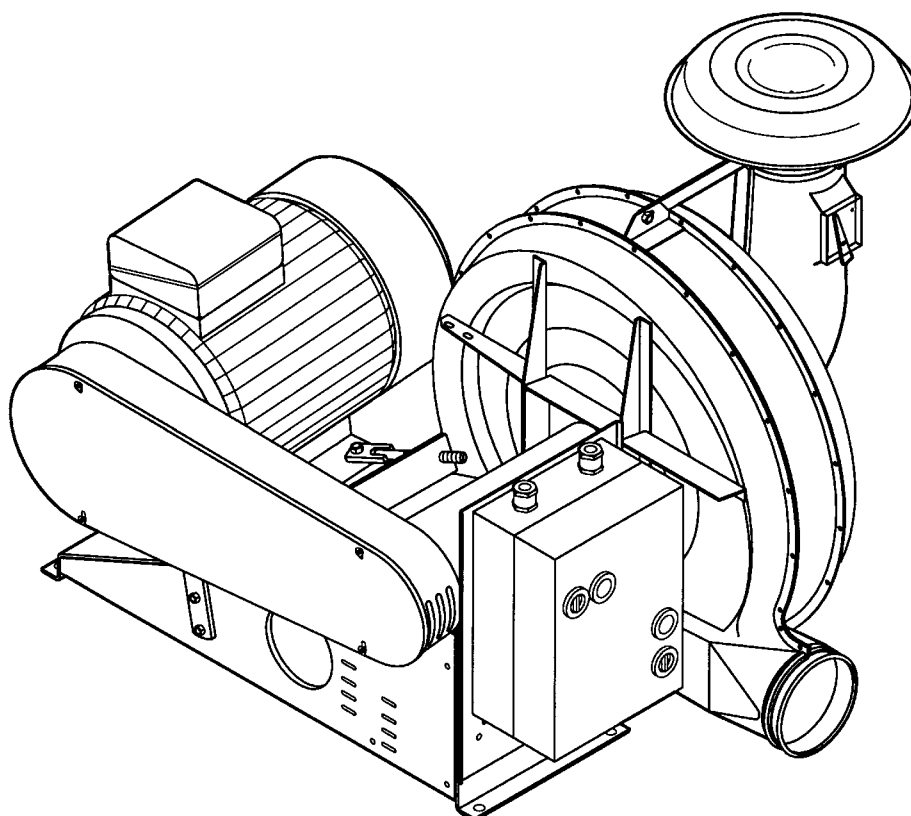


TRL 300

High pressure blower



Spare parts list

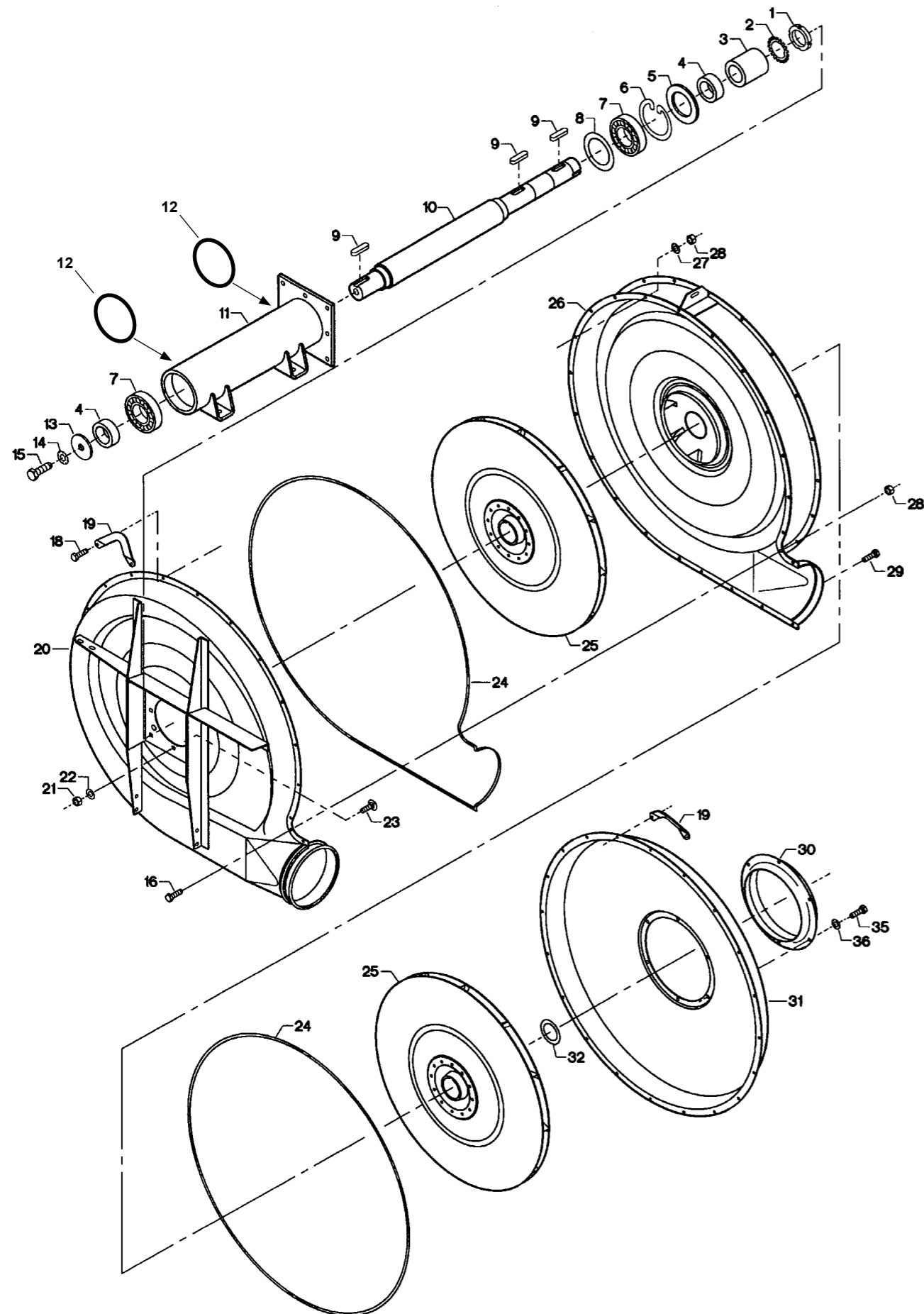


Fig.	Part no.	Pieces	Notes
1	100 323 025	1	SKF KM9
2	100 407 023	1	SKF MB9
3	121 120 374	1	
4	121 120 373	2	
5	121 120 103	1	
6	100 407 021	1	Circlip $\varnothing 100 \times 3.0$ mm
7	100 401 061	2	Ball bearing # 6211-2RS1/C3HT51
8	100 323 030	1	Washer 89 x 99 x 0.6 mm
9	100 405 005	3	Key 14 x 9 x 40 mm
10	121 120 371	1	
11	121 120 389	1	O ring $\varnothing 99 \times 2.5$ mm
12	100 413 186	2	
13	121 121 079	1	
14	100 332 006	1	Star washer M16
15	100 304 044	1	Set screw M16 x 30 mm
Cpl	121 123 218	1	Complete incl. items 1 - 15
16	100 323 398	39	Flange screw M6 x 16 mm
18	100 306 001	4	Set screw M6 x 20 mm
19	121 150 257	2	
20	121 120 384	1	
21	100 316 003	8	Lock nut M8
22	100 331 005	8	Flat washer M8
23	100 311 017	8	Coach bolt M8 x 25 mm
24	121 100 303	-	Order 6.0 m
25	121 120 370	2	
26	121 120 385	1	
28	100 316 075	45	Flange nut M6
29	100 308 018	2	Set screw M6 x 12 mm
30	121 120 390	1	
31	121 120 386	1	
32	121 120 132	3	
35	100 308 018	6	Set screw M6 x 12 mm
36	100 332 002	6	Star washer M6
Cpl	121 120 318	1	Complete blower housing, rotor and shaft - items 1 - 36

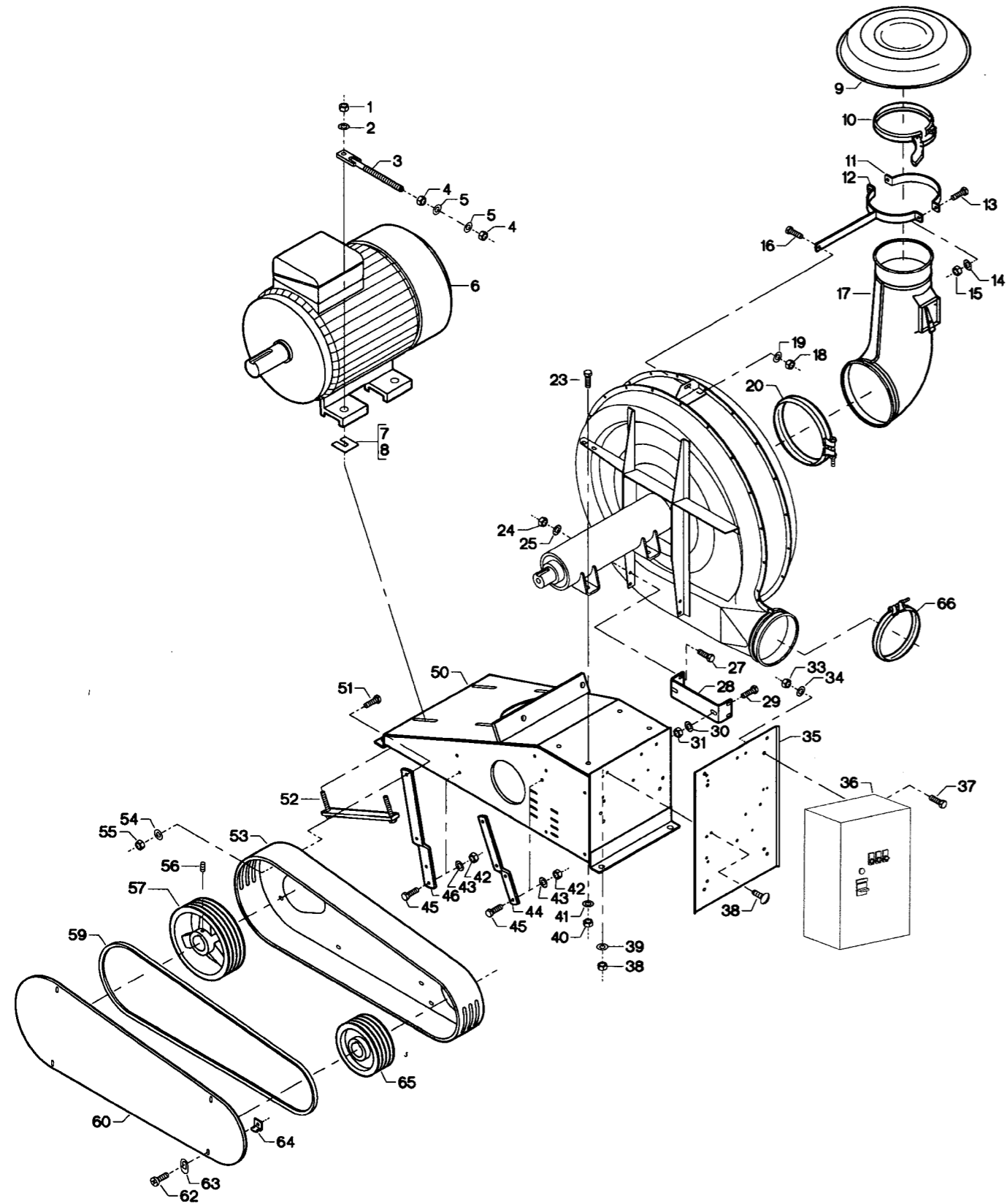


Fig.	Part no.	Pieces	Notes
1	100 315 016	4	Nut M12
2	100 332 005	4	Star washer M12
3	121 123 011	2	
4	100 315 020	4	Nut M16
5	100 331 008	4	Flat washer M16
6	100 501 020 100 551 030 100 551 020 100 501 207	1 1 1 1	Motor 180 M2-22 kW-B3-3x400 V-50 Hz-2940 rpm Motor 286TS-30 HP-460 V-60 Hz-3525 rpm-M4108T Motor 286TS-30 HP-575 V-60 Hz-3525 rpm-M4108T5 Motor 180 M2 22kW B3 3 x 440V 60Hz
7	113 034 034	-	Adjustment plate 1.0 mm
8	113 034 035	-	Adjustment plate 2.0 mm
9	121 123 148	1	
10	122 000 825	1	Quick release clamp OKR160
11	121 140 174	1	
12	121 120 392	1	
13	100 306 017	2	Set screw M8 x 30 mm
14	100 332 003	2	Star washer M8
15	100 315 012	2	Nut M8
16	100 306 015	1	Set screw M8 x 20 mm
17	121 120 362	1	
18	100 315 012	1	Nut M8
19	100 331 005	1	Flat washer M8
20	122 050 110	1	Bolt clamp OK 200
23	100 306 043	4	Set screw M12 x 30 mm
24	100 315 012	4	Nut M8
25	100 332 003	4	Star washer M8
27	100 306 015	4	Set screw M8 x 20 mm
28	121 123 221	1	
29	100 308 004	2	Set screw M10 x 20 mm
30	100 332 004	2	Star washer M10
31	100 315 013	2	Nut M10
33	100 315 012	4	Nut M8
34	100 332 003	4	Star washer M8
35	121 123 281	1	
36	100 503 134 100 503 320 100 306 015	1 1 2	Motor protection starter box 3 x 380 V, 50 Hz Control box 3 x 440V / 60Hz, for TRL300 / rotary valve Set screw M8 x 20 mm
38	100 308 002	2	Set screw M8 x 25 mm
39	100 311 000	2	Coach bolt with nut M6 x 16 mm
40	100 331 004	2	Flat washer M6
41	100 315 016 100 332 005	4 4	Nut M12 Star washer M12
42	100 315 012	4	Nut M8
43	100 332 003	4	Star washer M8
44	121 123 227	1	
45	100 306 015	4	Set screw M8 x 20 mm
46	121 123 223	1	
50	121 123 220	1	Set screw M8 x 20 mm
51	100 306 015	4	Set screw M8 x 20 mm
52	121 123 014	2	
53	121 123 230	1	
54	100 331 005	4	Flat washer M8
55	100 315 012	4	Nut M8
56	100 322 005	1	Stop screw M10 x 15 mm
57	121 122 042	1	V-belt pulley SPA 225 with 4 grooves, bore ø48 mm
59	121 122 195 100 403 017	1 4	V-belt pulley SPA 190 with 4 grooves, bore 1 5/8", for 60Hz V-belt SPA 1800, set 4
60	121 123 232	1	
62	100 321 010	4	Torx screw M5 x 12 mm
63	121 000 686	4	
64	121 000 402	4	
65	121 122 043	1	V-belt pulley SPA 160 with 4 grooves, bore ø45 mm
66	122 000 857	1	Bolt clamp OK160

Kongskilde Industries A/S
Skælskørvej 64
DK - 4180 Sorø
Tel. +45 72 17 60 00
mail@kongskilde-industries.com
www.kongskilde-industries.com