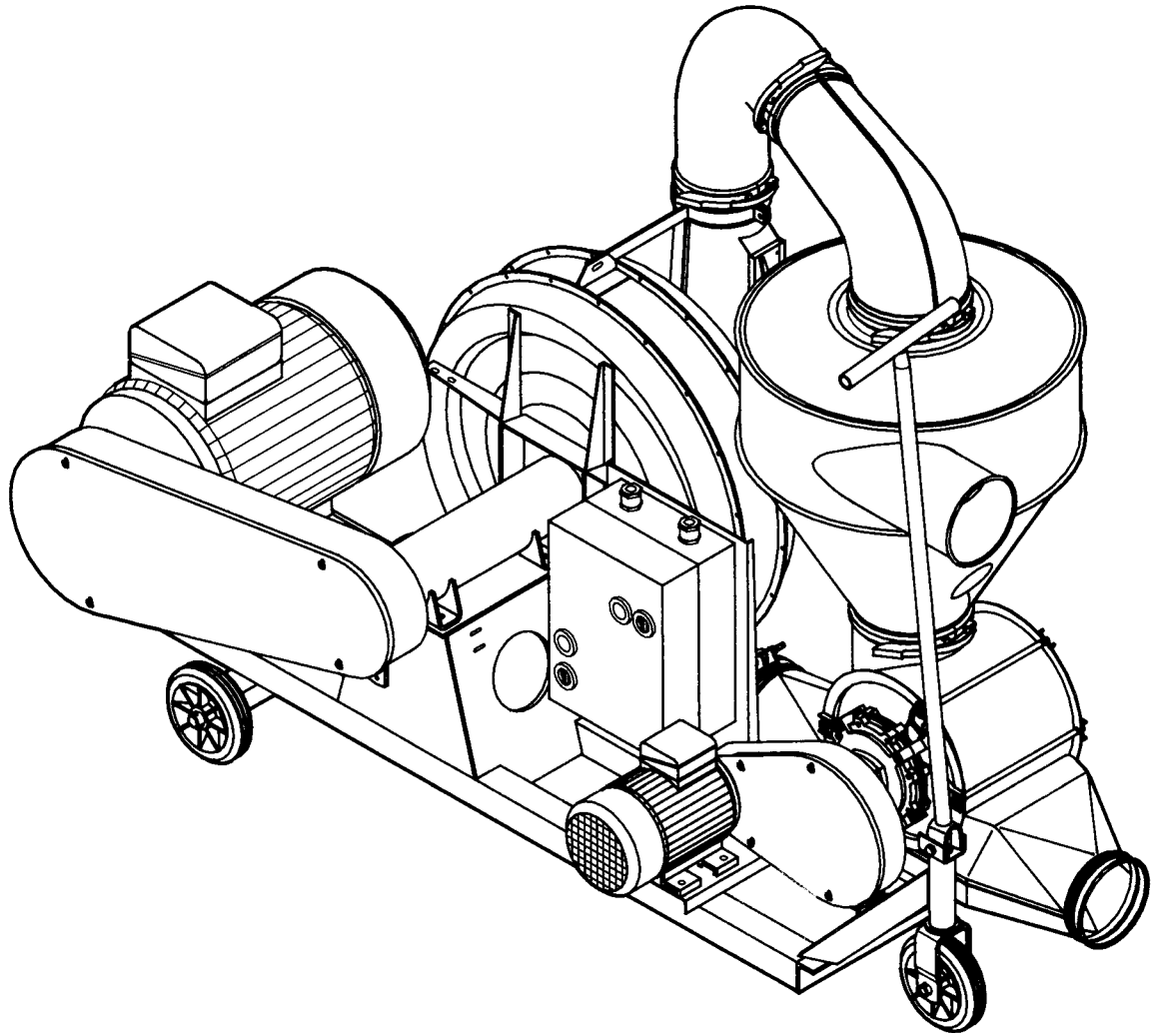


SUC 300E

Suction blower



Spare parts list

SUC 300 E

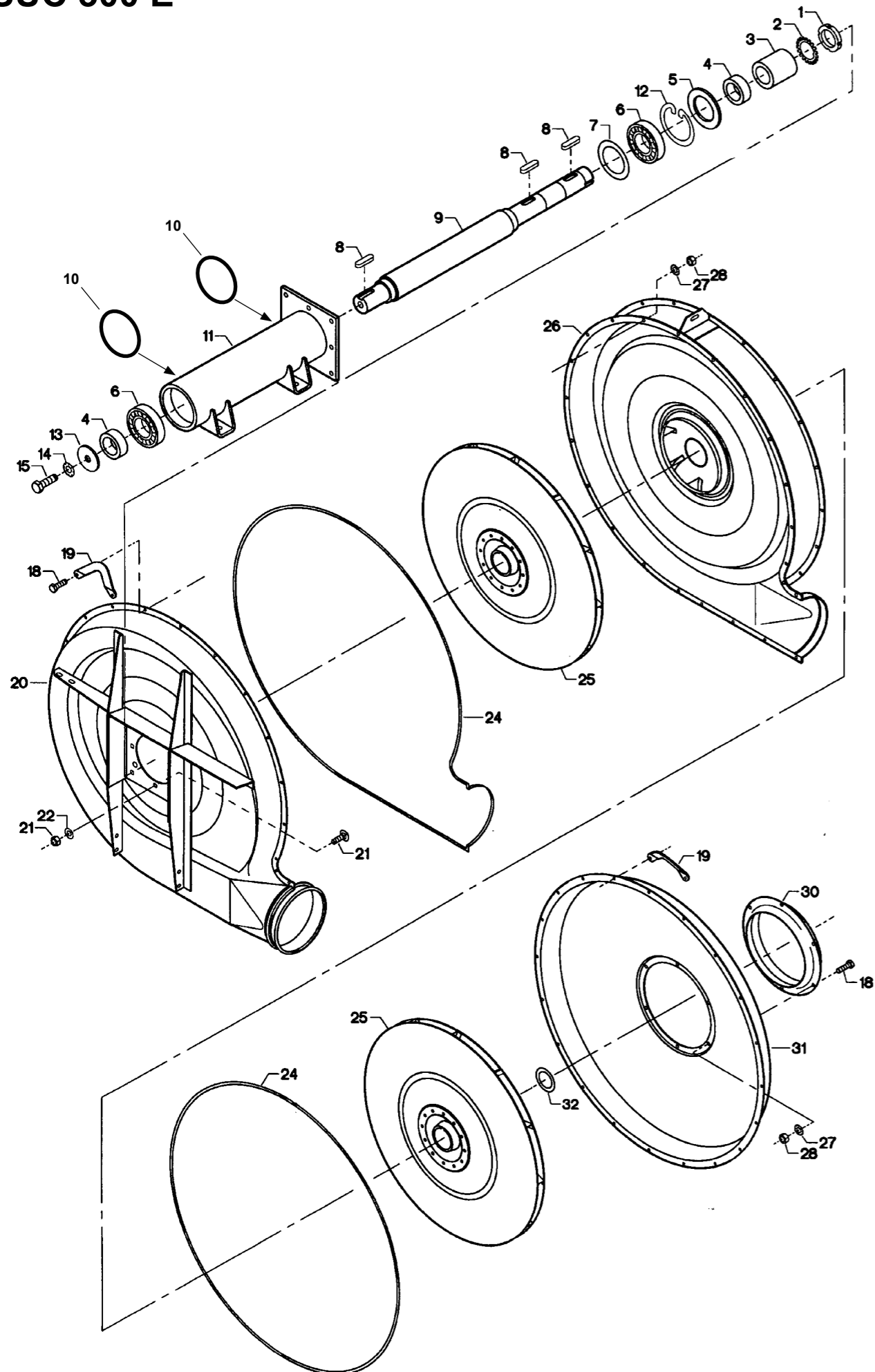


Fig.	Part no.	Pieces	Notes
1	100 323 025	1	SKF KM9
2	100 407 023	1	SKF MB9
3	121 120 374	1	
4	121 120 373	2	
5	121 120 103	1	
6	100 401 061	2	Ball bearing # 6211-2RS1/C3HT51
7	100 323 030	1	Washer 89 x 99 x 0.6 mm
8	100 405 005	3	Key 14 x 9 x 40 mm
9	121 120 371	1	
10	100 413 186	2	O ring Ø99 x 2,5 mm
11	121 120 389	1	
12	100 407 021	1	Circlip ø100 x 3.0 mm
13	121 121 079	1	
14	100 332 006	1	Star washer M16
15	100 304 044	1	Set screw M16 x 30 mm
Cpl	121 123 218	1	Complete incl. items 1 - 15
18	100 323 398	49	Flange set screw M6 x 16 mm
19	121 150 257	2	
20	121 120 384	1	
21	100 311 017	8	Coach bolt with nut M8 x 25 mm
22	100 331 005	8	Flat washer M8
24	121 100 303	-	Order 6.0 m
25	121 120 370	2	
26	121 120 385	1	
27	100 332 002	49	Star washer M6
28	100 316 075	49	Flange nut M6
30	121 120 390	1	
31	121 120 386	1	
32	121 120 132	3	
Cpl	121 120 318	1	Complete blower housing, rotor and shaft - items 1 - 32

SUC 300 E

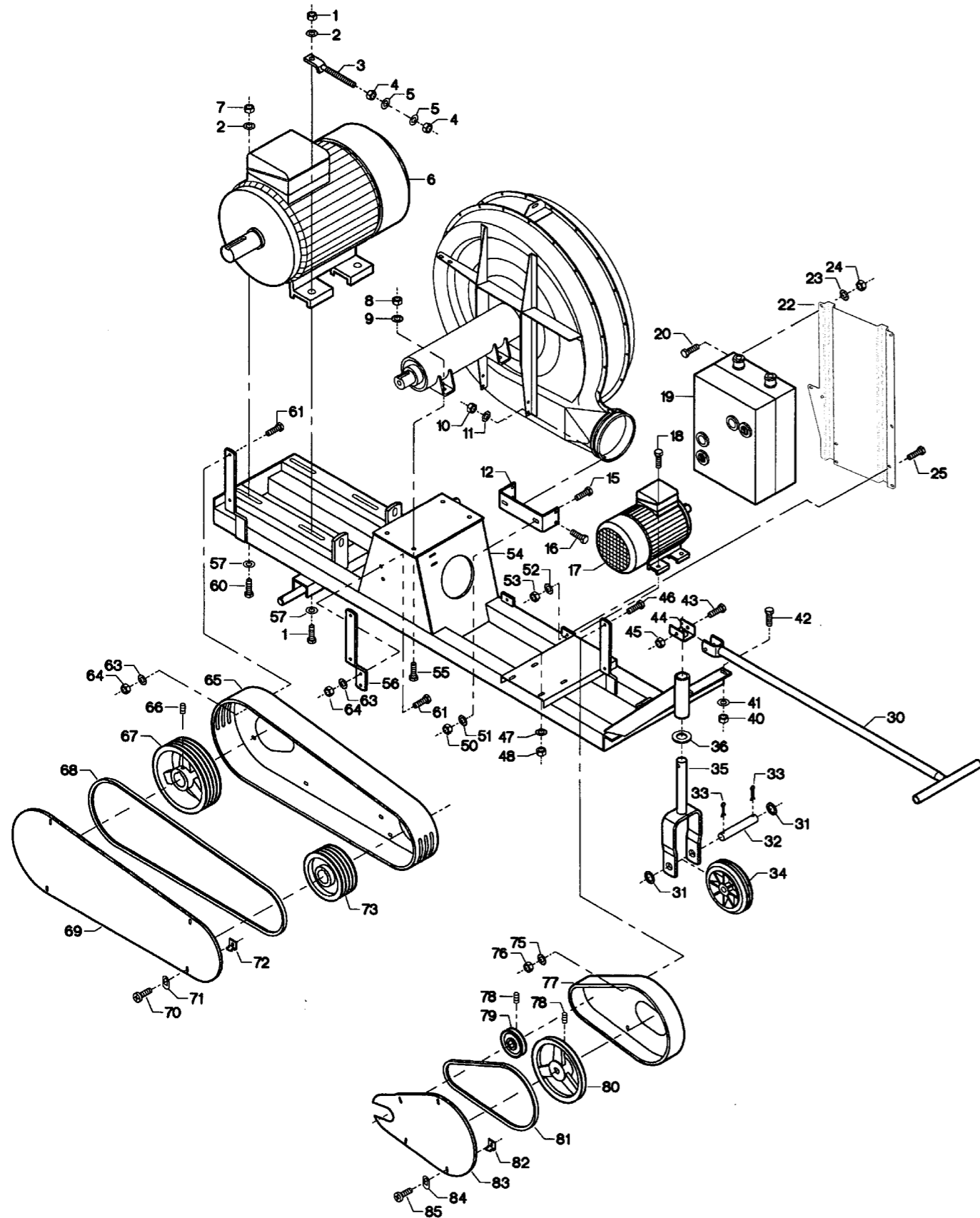


Fig.	Part no.	Pieces	Notes
1	100 302 028	2	Bolt with nut M12 x 60 mm
2	100 332 005	4	Star washer M12
3	121 122 039	2	
4	100 315 014	4	Nut M16
5	100 331 008	4	Flat washer M16
6	100 501 020	1	Motor 180 M2-22 kW-B3-3x400 V-50 Hz-2935 rpm
7	100 315 016	2	Nut M12
8	100 315 016	4	Nut M12
9	100 332 005	4	Star washer M12
10	100 315 012	4	Nut M8
11	100 332 003	4	Star washer M8
12	121 122 046	1	
15	100 308 004	2	Set screw M10 x 20 mm
16	100 306 015	4	Set screw M8 x 20 mm
17	100 501 002	1	Motor 90 S4-1.5 kW-B3-3x400 V-50 Hz-1410 rpm
18	100 306 017	4	Set screw M8 x 30 mm
19	100 503 134	1	Motor protection starter box 3x400V, 50 Hz
	100 503 208	1	Motor protection starter box 3x440V, 60 Hz
20	100 306 067	4	Set screw M8 x 15 mm
22	121 122 213	1	
23	100 332 003	4	Star washer M8
24	100 315 012	4	Nut M8
25	100 306 015	4	Set screw M8 x 20 mm
30	121 132 067	1	
31	121 000 333	6	
32	121 000 163	1	Split pin ø5 x 30 mm
33	100 333 004	4	Wheel 12 x 3
34	100 412 003	3	
35	121 000 746	1	
36	100 323 020	1	Flat washer ø60 x 33 x 5 mm
40	100 315 012	2	Nut M8
41	100 331 005	2	Flat washer M8
42	100 306 015	2	Set screw M8 x 20 mm
43	100 306 037	1	Bolt M10 x 65 mm
44	121 132 066	1	
45	100 316 004	1	Lock nut M10
46	100 306 015	2	Set screw M8 x 20 mm
47	100 332 003	4	Star washer M8
48	100 315 012	4	Nut M8
50	100 315 013	2	Nut M10
51	100 332 004	2	Star washer M10
52	100 332 003	4	Star washer M8
53	100 315 012	4	Nut M8
54	121 122 002	1	
55	100 306 043	4	Set screw M12 x 30 mm
56	121 122 044	1	
57	100 331 007	4	Flat washer M12
60	100 304 035	2	Set screw M12 x 45 mm
61	100 306 015	6	Set screw M8 x 20 mm
63	100 332 003	6	Star washer M8
64	100 315 012	6	Nut M8
65	121 123 230	1	
66	100 322 005	1	Stop screw M10 x 15/16 mm
67	121 122 042	1	V-belt pulley SPA 225 with 4 grooves, bore ø48 mm, 50 Hz
	121 123 288	1	V-belt pulley SPA 190 with 4 grooves, bore ø48 mm, 60 Hz
68	100 403 017	4	Raw edge moulded notch V-belt SPA-1800, Set 4
69	121 123 232	1	
70	100 321 010	4	Torx screw M5 x 12 mm
71	121 000 686	4	
72	121 000 402	4	
73	121 122 043	1	V-belt pulley SPA 160 with 4 grooves, bore ø45 mm
75	100 332 003	2	Star washer M8
76	100 315 012	2	Nut M8
77	121 122 132	1	
78	100 322 001	2	Stop screw M6 x 10 mm
79	121 122 053	1	V-belt pulley SPA 85 with 1 groove, bore ø24 mm, 50 Hz
	170 030 044	1	V-belt pulley SPA 71 with 1 groove, bore ø24 mm, 60 Hz
80	121 122 052	1	V-belt pulley SPA 212 with 1 groove, bore ø18 mm
81	100 403 018	1	Raw edge moulded notch V-belt A37.5
82	121 000 402	4	
83	121 122 134	1	
84	121 000 686	4	
85	100 321 010	4	Torx screw M5 x 12 mm

SUC 300 E

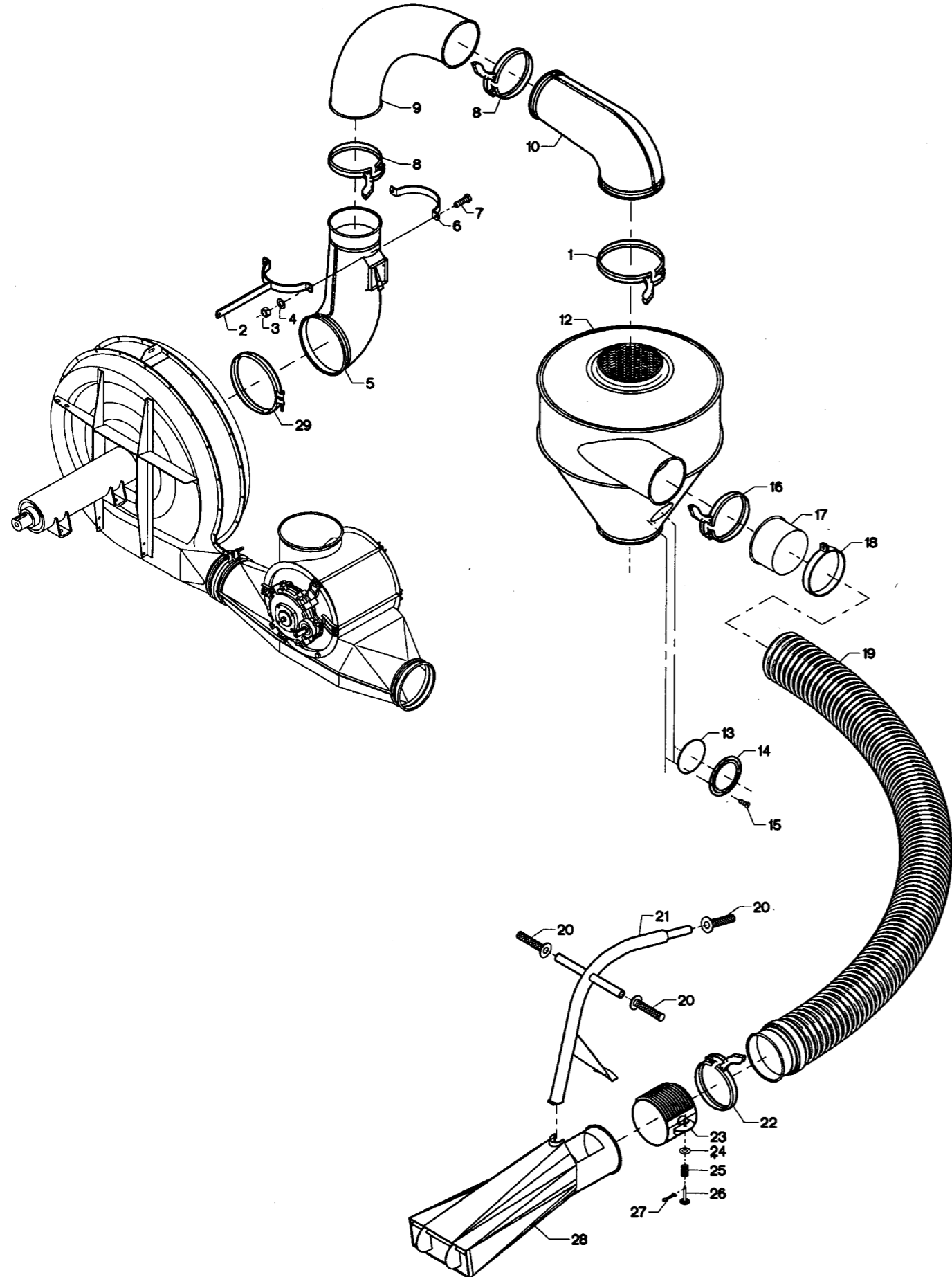


Fig.	Part no.	Pieces	Notes
1	122 050 077	1	Quick release clamp OK200
2	121 120 392	1	
3	100 315 012	2	Nut M8
4	100 332 003	2	Star washer M8
5	121 120 362	1	
6	121 140 174	1	
7	100 308 032	2	Set screw M8 x 35 mm
8	122 000 800	2	Quick release clamp OKR160
9	122 020 171	1	
10	121 140 175	1	
12	121 120 360	1	
13	121 000 090	1	
14	121 000 089	1	
15	100 323 011	4	Self-tapping screw #8 x 5/16"
Cpl	121 120 280	1	Complete incl. items 12 - 15
16	122 000 800	1	Quick release clamp OKR160
17	121 000 775	2	
18	100 420 172	2	Clamp
Cpl	121 000 645	1	Complete incl. items 16 - 19
20	100 414 016	3	
21	121 130 147	1	
22	122 000 800	1	Quick release clamp OKR160
23	121 130 100	1	
24	100 331 013	1	Flat washer M6
25	121 120 116	1	
26	121 120 113	1	
27	100 333 000	1	Split pin $\varnothing 2 \times 15$ mm
28	121 130 266	1	
Cpl	121 130 247	1	Complete incl. items 20 - 28
29	122 050 110	1	Clamp with bolt OK200

Kongskilde Industries A/S

Skælskørvej 64

DK - 4180 Sorø

Tel. +45 72 17 60 00

mail@kongskilde-industries.com

www.kongskilde-industries.com