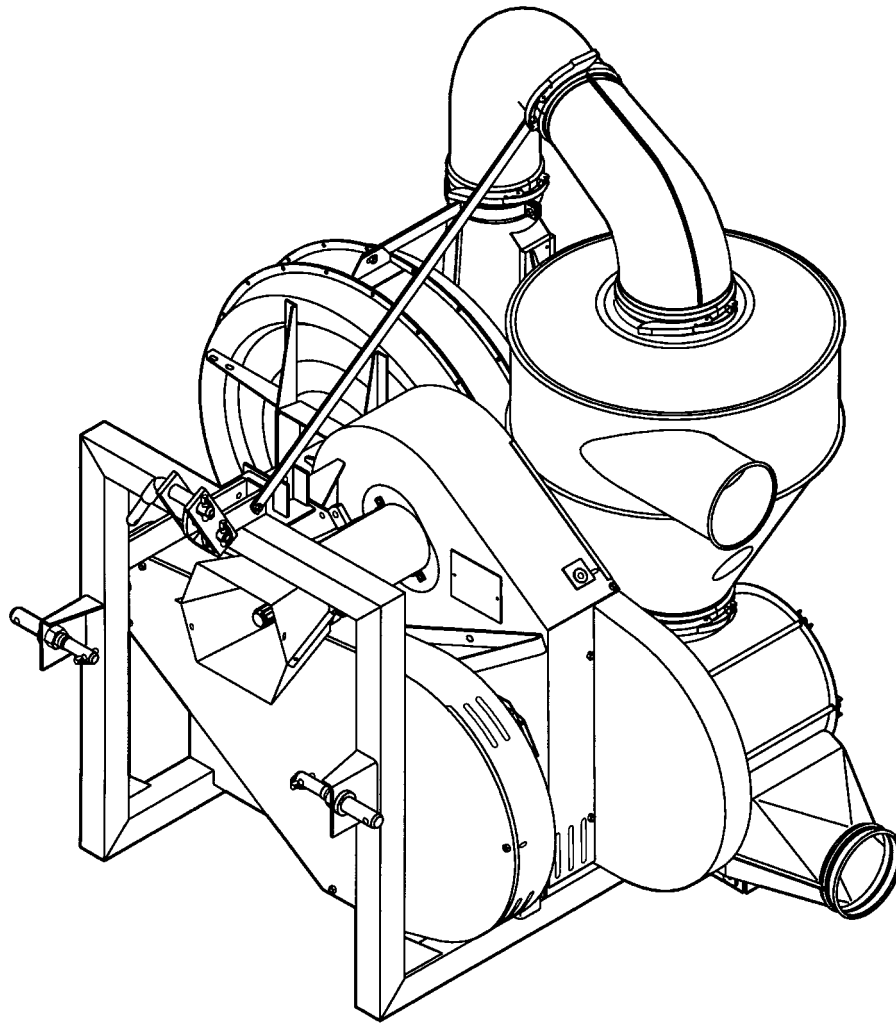
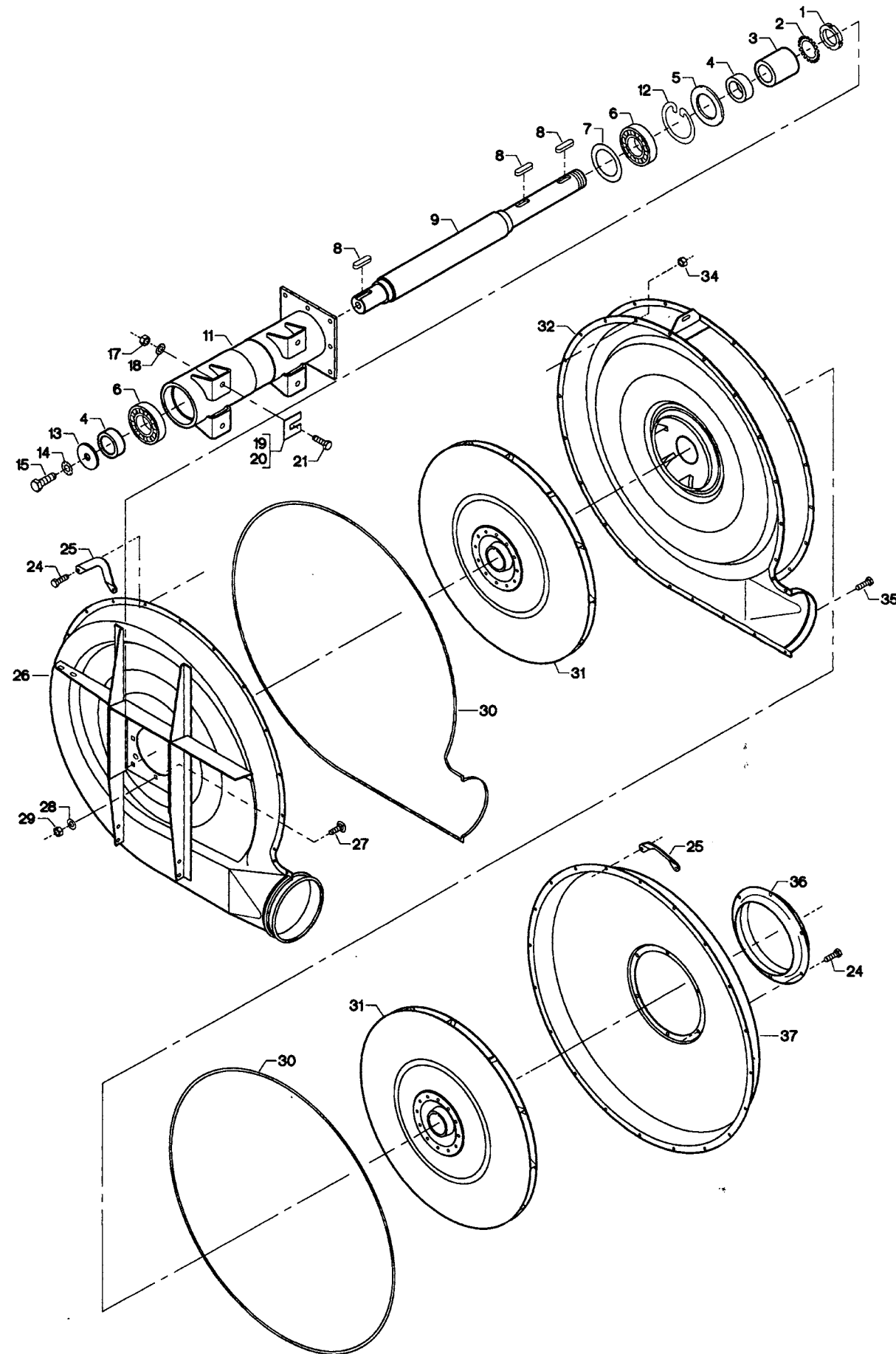


# **SUC 300 T**

## Suction blower



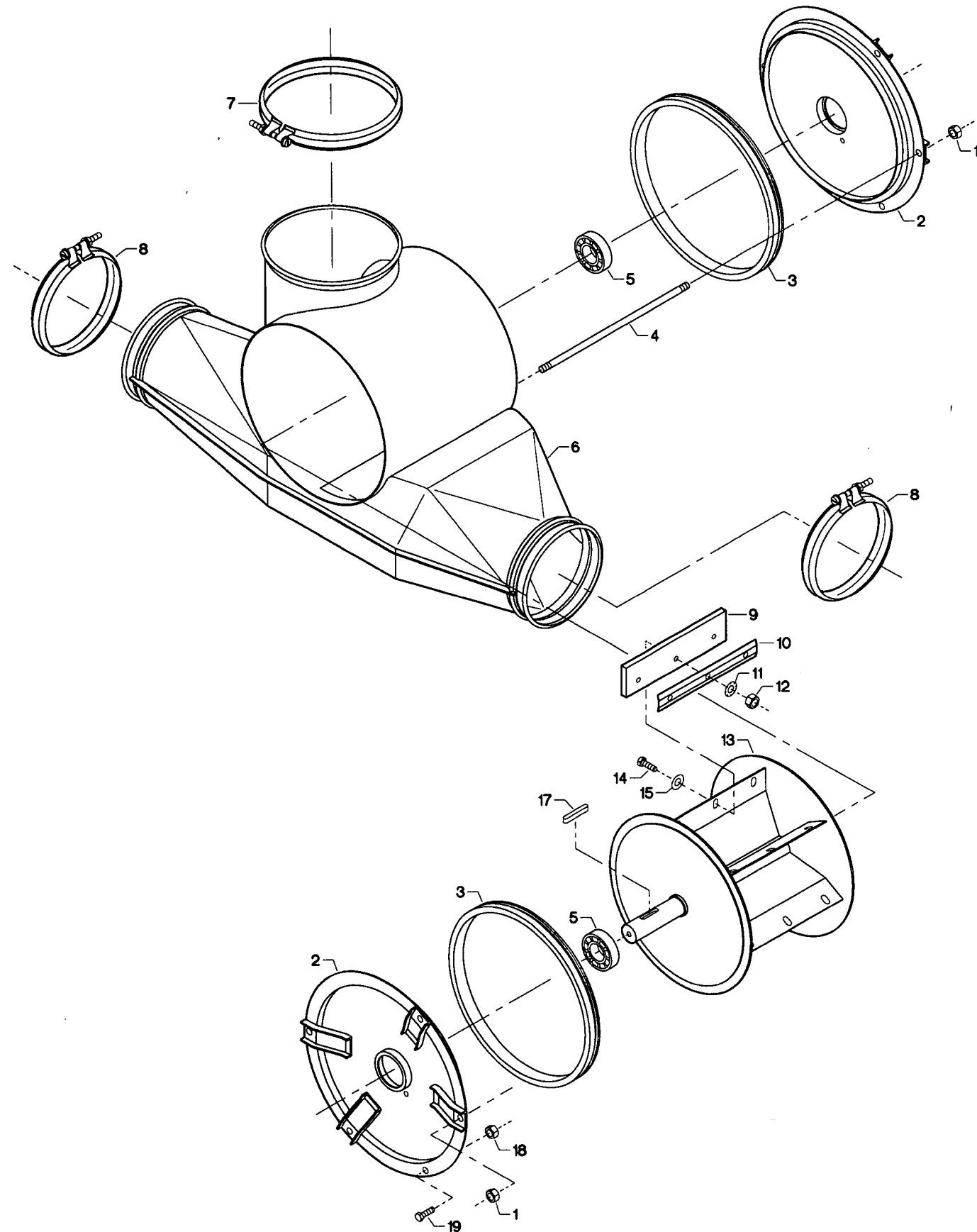
Spare parts list



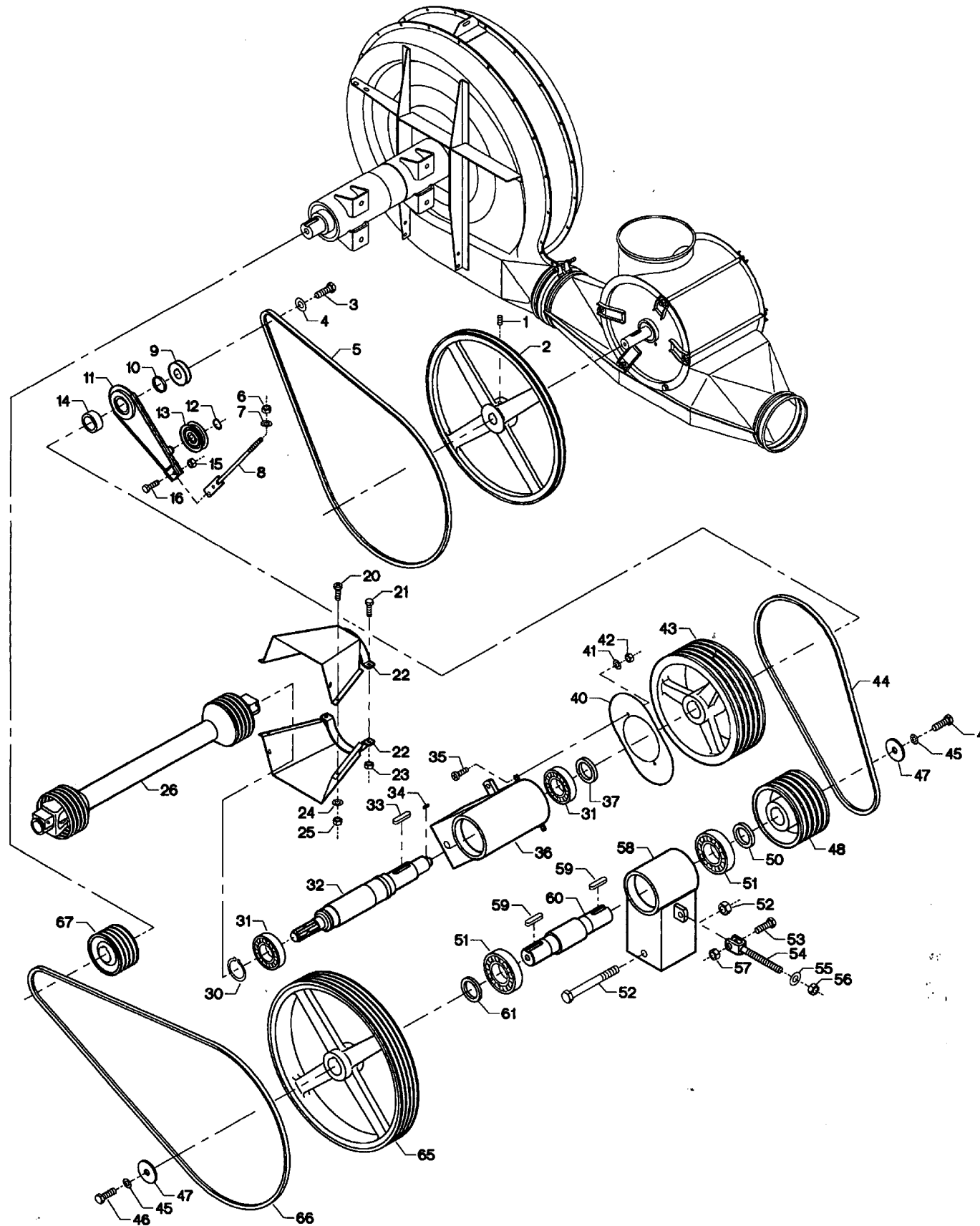
| Fig. | Part no.    | Pieces | Notes                           |
|------|-------------|--------|---------------------------------|
| 1    | 100 323 025 | 1      | SKF KM9                         |
| 2    | 100 407 023 | 1      | SKF MB9                         |
| 3    | 121 120 374 | 1      |                                 |
| 4    | 121 120 373 | 2      |                                 |
| 5    | 121 120 103 | 1      |                                 |
| 6    | 100 401 061 | 2      | Ball bearing # 6211-2RS1/C3HT51 |
| 7    | 100 323 030 | 1      | Washer 89 x 99 x 0.6 mm         |
| 8    | 100 405 005 | 3      | Key 14 x 9 x 40 mm              |
| 9    | 121 120 371 | 1      |                                 |
| 11   | 121 120 389 | 1      |                                 |
| 12   | 100 407 021 | 1      | Circlip ø100 x 3.0 mm           |
| 13   | 121 121 079 | 1      |                                 |
| 14   | 100 332 006 | 1      | Star washer M16                 |
| 15   | 100 304 044 | 1      | Set screw M16 x 30 mm           |
| Cpl  | 121 123 218 | 1      | Complete incl. items 1 - 15     |
| 17   | 100 315 016 | 4      | Nut M12                         |
| 18   | 100 332 005 | 4      | Star washer M12                 |
| 19   | 113 034 034 | -      | Adjustment plate 1.0 mm         |
| 20   | 113 034 035 | -      | Adjustment plate 2.0 mm         |
| 21   | 100 306 043 | 4      | Set screw M12 x 30 mm           |
| 24   | 100 323 398 | 49     | Flange set screw M6 x 16 mm     |
| 25   | 121 150 257 | 2      |                                 |
| 26   | 121 120 384 | 1      |                                 |
| 27   | 100 311 017 | 8      | Coach bolt M8 x 25 mm           |
| 28   | 100 331 005 | 8      | Flat washer M8                  |
| 29   | 100 316 003 | 8      | Lock nut M8                     |
| 30   | 121 100 303 | -      | Order 6.0 m                     |
| 31   | 121 120 370 | 2      |                                 |
| 32   | 121 120 385 | 1      |                                 |
| 34   | 100 316 075 | 51     | Flange nut M6                   |
| 35   | 100 308 018 | 2      | Set screw M6 x 12 mm            |
| 36   | 121 120 390 | 1      |                                 |
| 37   | 121 120 386 | 1      |                                 |

# SUC 300 T

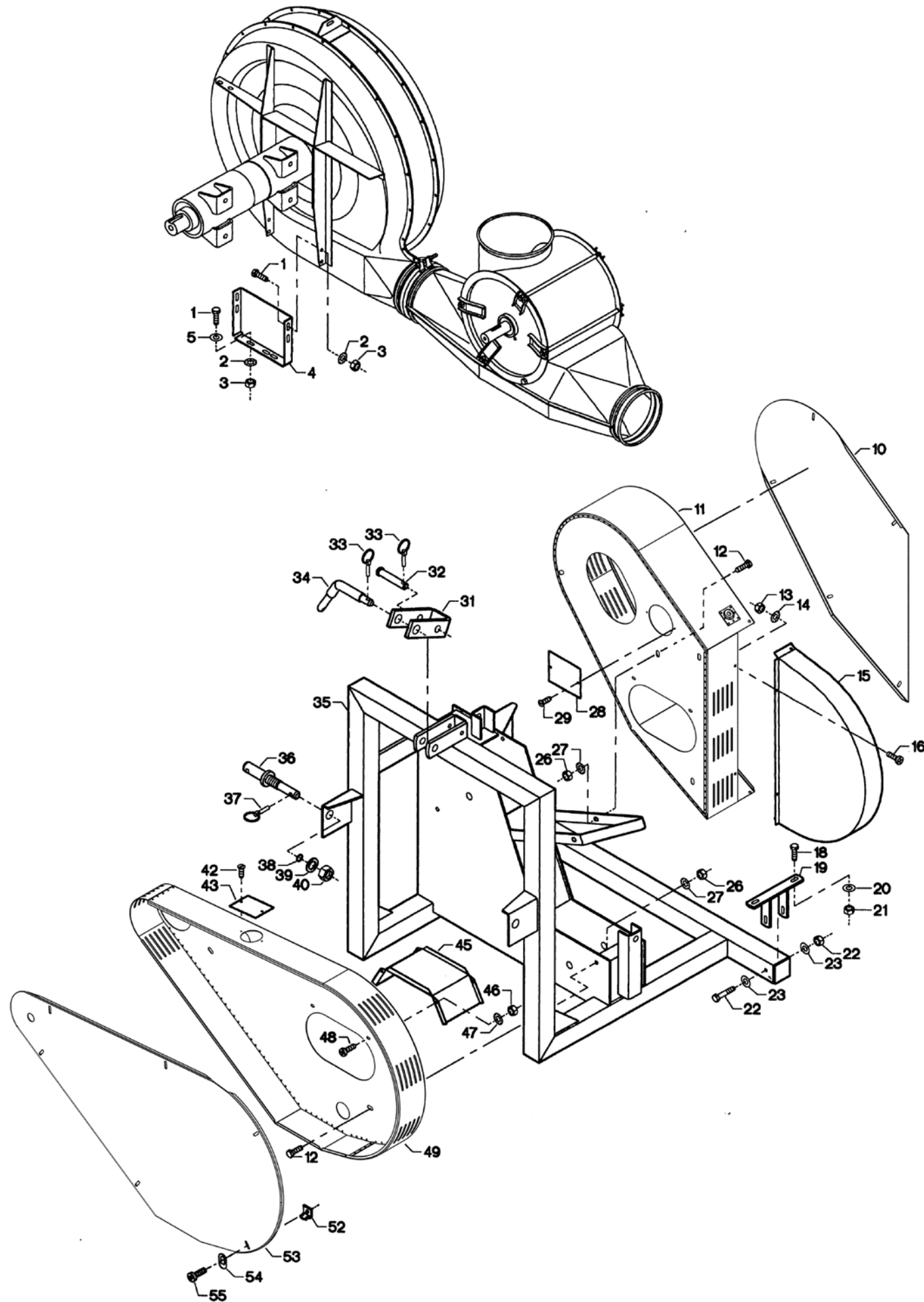
Spare parts list / SUC 300 T. Date: 06.2018



| Fig. | Part no.    | Pieces | Notes                                    |
|------|-------------|--------|--|
| 1    | 100 315 013 | 8      | Nut M10                                  |
| 2    | 121 107 009 | 2      |  |
| 3    | 121 106 089 | 2      |  |
| 4    | 121 105 024 | 4      |  |
| 5    | 100 401 011 | 2      | Ball bearing # 6206 - 2RS                |
| 6    | 121 105 028 | 1      | Bolt clamp OK200, for spec. safety joint |
| 7    | 122 050 237 | 1      | Bolt clamp OK160, for spec. safety joint |
| 8    | 122 001 078 | 2      |  |
| 9    | 121 105 016 | 6      |  |
| 10   | 121 105 017 | 6      |  |
| 11   | 100 332 003 | 18     | Star washer M8                           |
| 12   | 100 315 012 | 18     | Nut M8                                   |
| 13   | 121 105 012 | 1      |  |
| 14   | 100 308 002 | 18     | Set screw M8 x 25 mm                     |
| 15   | 100 331 096 | 18     | Flat washer M8                           |
| Cpl  | 121 105 011 | 1      | Complete incl. items 9 - 15              |
| 17   | 100 405 015 | 1      | Key 8 x 7 36 mm                          |
| 18   | 100 315 012 | 4      | Nut M8                                   |
| 19   | 100 306 017 | 2      | Set screw M8 x 30 mm                     |
| Cpl  | 121 105 043 | 1      | Complete incl. items 1 - 19              |

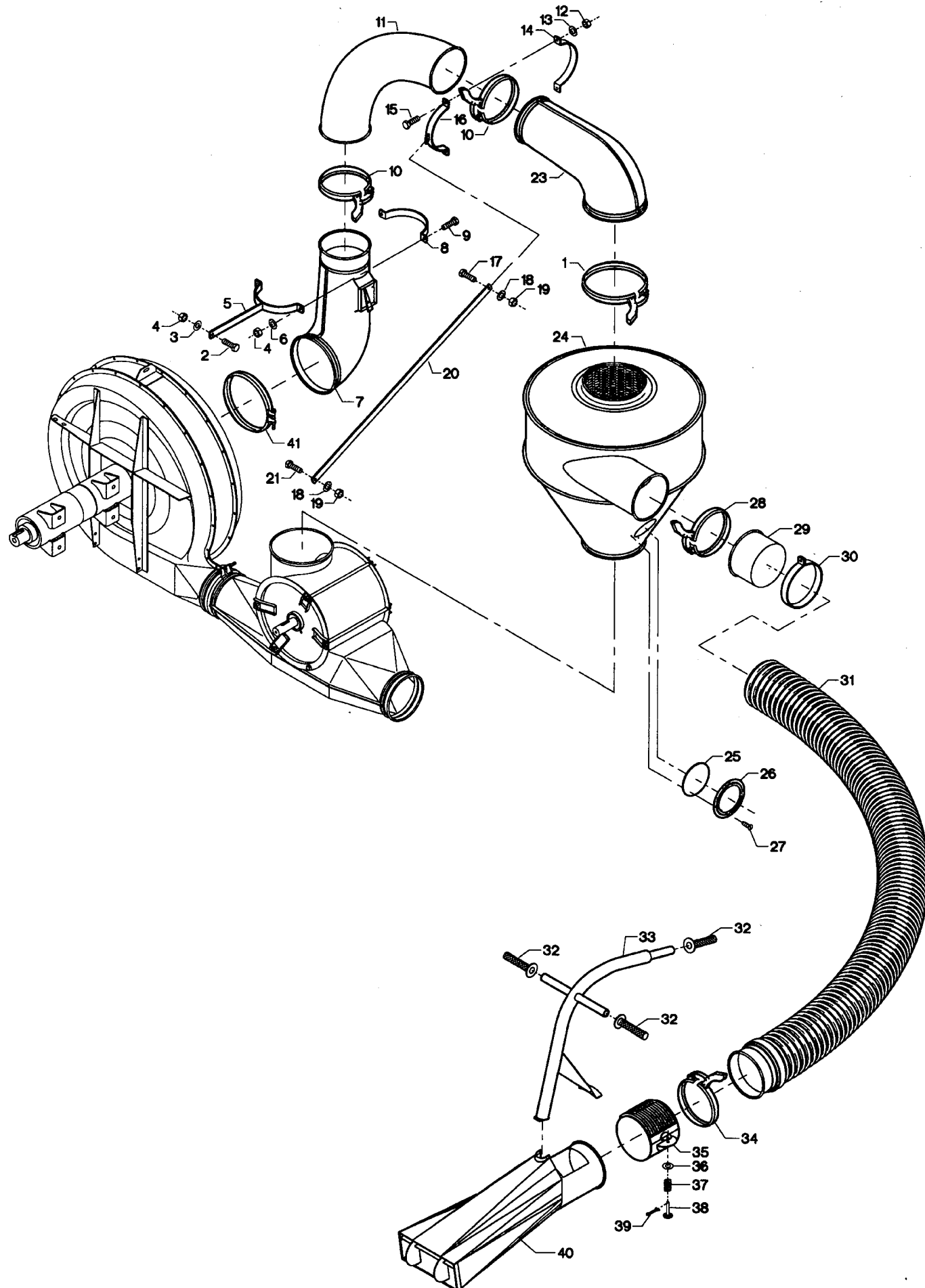


| Fig. | Part no.    | Pieces | Notes                            |
|------|-------------|--------|----------------------------------|
| 1    | 100 322 005 | 1      | Stop screw M10 x 15 mm           |
| 2    | 121 121 087 | 1      |                                  |
| 3    | 100 304 044 | 1      | Set screw M16 x 30 mm            |
| 4    | 100 331 008 | 1      | Flat washer M16                  |
| 5    | 100 403 015 | 1      | V-belt A-2070 RE                 |
| 6    | 100 315 013 | 1      | Nut M10                          |
| 7    | 100 332 004 | 1      | Star washer M10                  |
| 8    | 121 121 124 | 1      |                                  |
| 9    | 121 121 185 | 1      |                                  |
| 10   | 121 121 182 | 1      |                                  |
| Cpl: | 121 121 166 | 1      | Complete incl. items. 11 - 13    |
| 12   | 100 407 011 | 1      | Circlip $\varnothing$ 20x 1.2 mm |
| 13   | 121 121 122 | 1      |                                  |
| 14   | 121 121 180 | 1      |                                  |
| 15   | 100 316 003 | 1      | Lock nut M8                      |
| 16   | 100 308 015 | 1      | Set screw M8 x 20 mm             |
| 20   | 100 321 013 | 2      | Torx screw M6 x 10 mm            |
| 21   | 100 308 002 | 2      | Set screw M8 x 25 mm             |
| 22   | 121 121 163 | 2      |                                  |
| 23   | 100 315 012 | 2      | Nut M8                           |
| 24   | 100 332 002 | 2      | Star washer M6                   |
| 25   | 100 315 028 | 2      | Nut M6                           |
| 26   | 199 073 001 | 1      | P.T.O. shaft                     |
| 30   | 100 407 015 | 1      | Circlip $\varnothing$ 60 x 2 mm  |
| 31   | 100 401 013 | 2      | Ball Bearing 6212 - 2RS          |
| 32   | 121 121 176 | 1      |                                  |
| 33   | 100 405 007 | 1      | Key 14 x 9 x 60 mm               |
| 34   | 100 405 008 | 1      | Key 8 x 7 x 16 mm                |
| 35   | 100 321 013 | 2      | Torx screw M6 x 10 mm            |
| 36   | 121 121 066 | 1      |                                  |
| 37   | 121 121 183 | 1      |                                  |
| 40   | 121 121 155 | 1      |                                  |
| 41   | 100 332 002 | 2      | Star washer M6                   |
| 42   | 100 316 002 | 2      | Lock nut M6                      |
| 43   | 121 121 083 | 1      |                                  |
| 44   | 100 403 014 | 5      | V-belt SPB-1600, set 5           |
| 45   | 100 332 006 | 1      | Star washer M16                  |
| 46   | 100 304 044 | 2      | Set screw M16 x 30 mm            |
| 47   | 121 121 079 | 2      |                                  |
| 48   | 121 121 084 | 1      |                                  |
| 50   | 121 121 184 | 1      |                                  |
| 51   | 100 401 014 | 2      | Ball bearing 6310 - 2RS          |
| 52   | 100 302 042 | 2      | Bolt with nut M20 x 160 mm       |
| 53   | 100 308 015 | 2      | Set screw M12 x 45 mm            |
| 54   | 121 121 011 | 2      |                                  |
| 55   | 100 331 008 | 2      | Flat washer M16                  |
| 56   | 100 315 020 | 2      | Nut M16                          |
| 57   | 100 316 005 | 2      | Lock nut M12                     |
| 58   | 121 121 075 | 1      |                                  |
| 59   | 100 405 006 | 2      | Key 14 x 9 x 50 mm               |
| 60   | 121 121 175 | 1      |                                  |
| 61   | 121 121 183 | 1      |                                  |
| 65   | 121 121 085 | 1      |                                  |
| 66   | 100 403 013 | 4      | V-belt SPA-2360, set 4           |
| 67   | 121 121 086 | 1      |                                  |

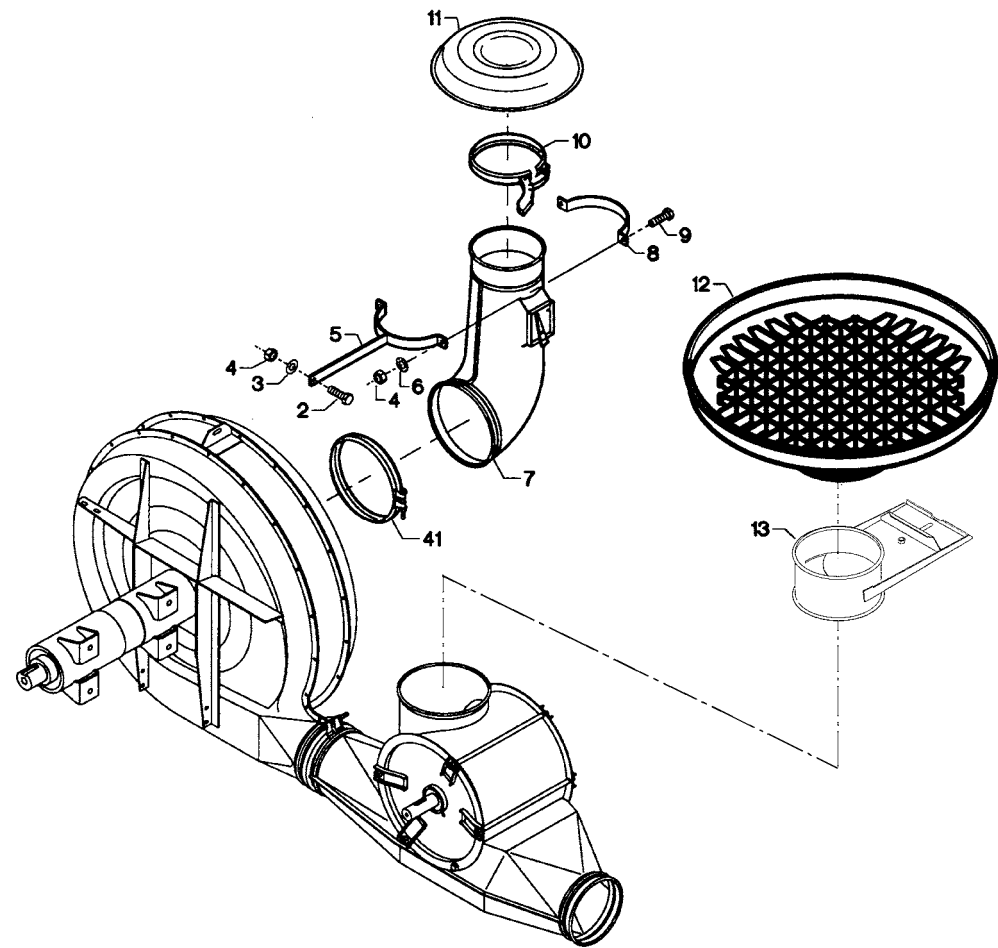


| Fig. | Part no.    | Pieces | Notes                         |
|------|-------------|--------|-------------------------------|
| 1    | 100 306 015 | 6      | Set screw M8 x 20 mm          |
| 2    | 100 332 003 | 6      | Star washer M8                |
| 3    | 100 315 012 | 6      | Nut M8                        |
| 4    | 121 121 009 | 1      |                               |
| 5    | 100 331 005 | 1      | Flat washer M8                |
| 10   | 121 121 197 | 1      |                               |
| 11   | 121 121 194 | 1      |                               |
| 12   | 100 308 004 | 7      | Set screw M10 x 20 mm         |
| 13   | 100 315 028 | 4      | Nut M6                        |
| 14   | 100 332 002 | 4      | Star washer M6                |
| 15   | 121 121 158 | 1      |                               |
| 16   | 100 321 013 | 4      | Torx screw M6 x 10 mm         |
| 18   | 100 304 012 | 2      | Set screw M8 x 20 mm          |
| 19   | 121 120 091 | 1      |                               |
| 20   | 100 331 005 | 2      | Flat washer M8                |
| 21   | 100 315 012 | 2      | Nut M8                        |
| 22   | 100 302 011 | 1      | Bolt with nut M8 x 90 mm      |
| 23   | 100 331 005 | 2      | Flat washer M8                |
| 26   | 100 315 013 | 7      | Nut M10                       |
| 27   | 100 332 004 | 7      | Star washer M10               |
| 28   | 121 121 159 | 1      |                               |
| 29   | 100 323 138 | 2      | Self-tapping screw # 8 x 1/4" |
| 31   | 121 121 014 | 1      |                               |
| 32   | 101 000 787 | 1      |                               |
| 33   | 100 333 014 | 2      | Lynch pin ø 9.5 mm            |
| 34   | 101 000 791 | 1      |                               |
| 35   | 121 121 001 | 1      |                               |
| 36   | 101 020 176 | 2      |                               |
| 37   | 100 333 014 | 2      | Lynch pin ø 9.5 mm            |
| 38   | 100 323 009 | 2      | Washer M24                    |
| 39   | 121 080 040 | 2      |                               |
| 40   | 100 323 008 | 2      | Nut M24                       |
| 42   | 100 323 138 | 2      | Self-tapping screw # 8 x 1/4" |
| 43   | 121 121 162 | 1      |                               |
| 45   | 121 131 274 | 1      |                               |
| 46   | 100 316 075 | 4      | Flangenut M6                  |
| 47   | 100 332 002 | 4      | Star washer M6                |
| 48   | 100 321 015 | 4      | Torx screw M6 x 16 mm         |
| 49   | 121 121 198 | 1      |                               |
| 52   | 121 000 402 | 11     |                               |
| 53   | 121 121 201 | 1      |                               |
| 54   | 121 000 686 | 11     |                               |
| 55   | 100 321 010 | 11     | Torx screw M5 x 12 mmv        |





| Fig. | Part no.    | Pieces | Notes                                    |
|------|-------------|--------|--|
| 1    | 122 050 077 | 1      | Quick release clamp OK200                |
| 2    | 100 306 015 | 1      | Set screw M8 x 20 mm                     |
| 3    | 100 331 005 | 1      | Flat washer M8                           |
| 4    | 100 315 012 | 3      | Nut M8                                   |
| 5    | 121 120 392 | 1      |  |
| 6    | 100 332 003 | 2      | Star washer M8                           |
| 7    | 121 120 362 | 1      |  |
| 8    | 121 140 174 | 1      |  |
| 9    | 100 308 002 | 2      | Set screw M8 x 25 mm                     |
| 10   | 122 000 825 | 2      | Quick release clamp OKR160               |
| 11   | 122 020 171 | 1      |  |
| 12   | 100 315 012 | 2      | Nut M8                                   |
| 13   | 100 332 003 | 2      | Star washer M8                           |
| 14   | 121 140 174 | 1      |  |
| 15   | 100 308 002 | 2      | Set screw M8 x 25 mm                     |
| 16   | 121 121 157 | 1      |  |
| 17   | 100 306 014 | 1      | Set screw M8 x 15 mm                     |
| 18   | 100 332 003 | 2      | Star washer M8                           |
| 19   | 100 315 012 | 2      | Nut M8                                   |
| 20   | 121 121 156 | 1      |  |
| 21   | 100 308 002 | 1      | Set screw M8 x 25 mm                     |
| 23   | 121 140 175 | 1      |  |
| 24   | 121 120 360 | 1      |  |
| 25   | 121 000 090 | 1      |  |
| 26   | 121 000 089 | 1      |  |
| 27   | 100 323 011 | 4      | Self-tapping screw #8 x 5/16"            |
| Cpl: | 121 120 280 | 1      | Complete incl. items 24 - 27             |
| 28   | 122 000 825 | 1      | Quick release clamp OKR160               |
| 29   | 121 000 775 | 2      |  |
| 30   | 100 420 172 | 2      | Clamp                                    |
| Cpl: | 121 000 645 | 1      | Complete incl. items 28 - 31             |
| 32   | 100 414 016 | 3      |  |
| 33   | 121 130 246 | 1      |  |
| 34   | 122 000 825 | 1      | Quick release clamp OKR160               |
| 35   | 121 130 100 | 1      |  |
| 36   | 100 331 013 | 1      | Flat washer M6                           |
| 37   | 121 120 116 | 1      |  |
| 38   | 121 120 113 | 1      |  |
| 39   | 100 333 000 | 1      | Split pin ø2 x 15 mm                     |
| 40   | 121 130 266 | 1      |  |
| Cpl: | 121 130 247 | 1      | Complete incl. items 32 - 40             |
| 41   | 122 050 237 | 1      | Bolt clamp OK200, for spec. safety joint |



| Fig. | Part no.    | Pieces | Notes                                    |
|------|-------------|--------|--|
| 1    | 122 050 077 | 1      | Quick release clamp OK200                |
| 2    | 100 306 015 | 1      | Set screw M8 x 20 mm                     |
| 3    | 100 331 005 | 1      | Flat washer M8                           |
| 4    | 100 315 012 | 3      | Nut M8                                   |
| 5    | 121 120 392 | 1      |  |
| 6    | 100 332 003 | 2      | Star washer M8                           |
| 7    | 121 120 362 | 1      |  |
| 8    | 121 140 174 | 1      |  |
| 9    | 100 308 002 | 2      | Set screw M8 x 25 mm                     |
| 10   | 122 000 825 | 2      | Quick release clamp OKR160               |
| 11   | 121 123 148 | 1      |  |
| 12   | 121 106 129 | 1      |  |
| 13   | 121 106 096 | 1      |  |
| 41   | 122 050 237 | 1      | Bolt clamp OK200, for spec. safety joint |
|      |             |        |  |
|      |             |        |  |
|      |             |        |  |
|      |             |        |  |
|      |             |        |  |
|      |             |        |  |
|      |             |        |  |
|      |             |        |  |
|      |             |        |  |
|      |             |        |  |
|      |             |        |  |
|      |             |        |  |
|      |             |        |  |
|      |             |        |  |
|      |             |        |  |
|      |             |        |  |
|      |             |        |  |
|      |             |        |  |
|      |             |        |  |
|      |             |        |  |
|      |             |        |  |
|      |             |        |  |





**Kongskilde Industries A/S**

Skælskørvej 64

DK - 4180 Sorø

Tel. +45 72 17 60 00

[mail@kongskilde-industries.com](mailto:mail@kongskilde-industries.com)

[www.kongskilde-industries.com](http://www.kongskilde-industries.com)