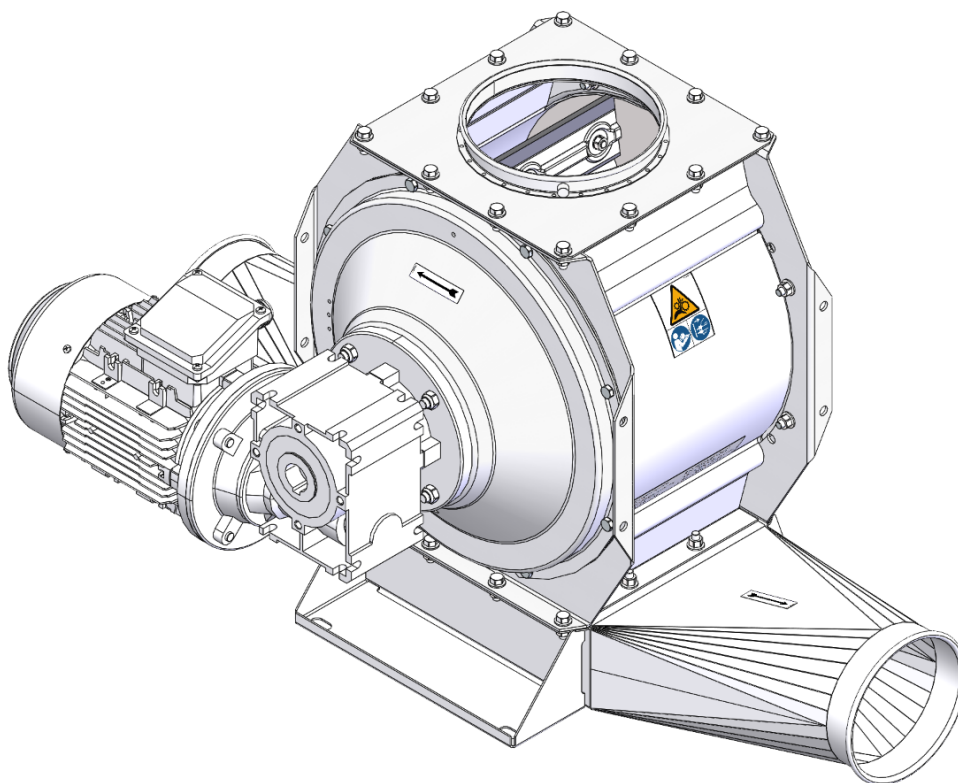
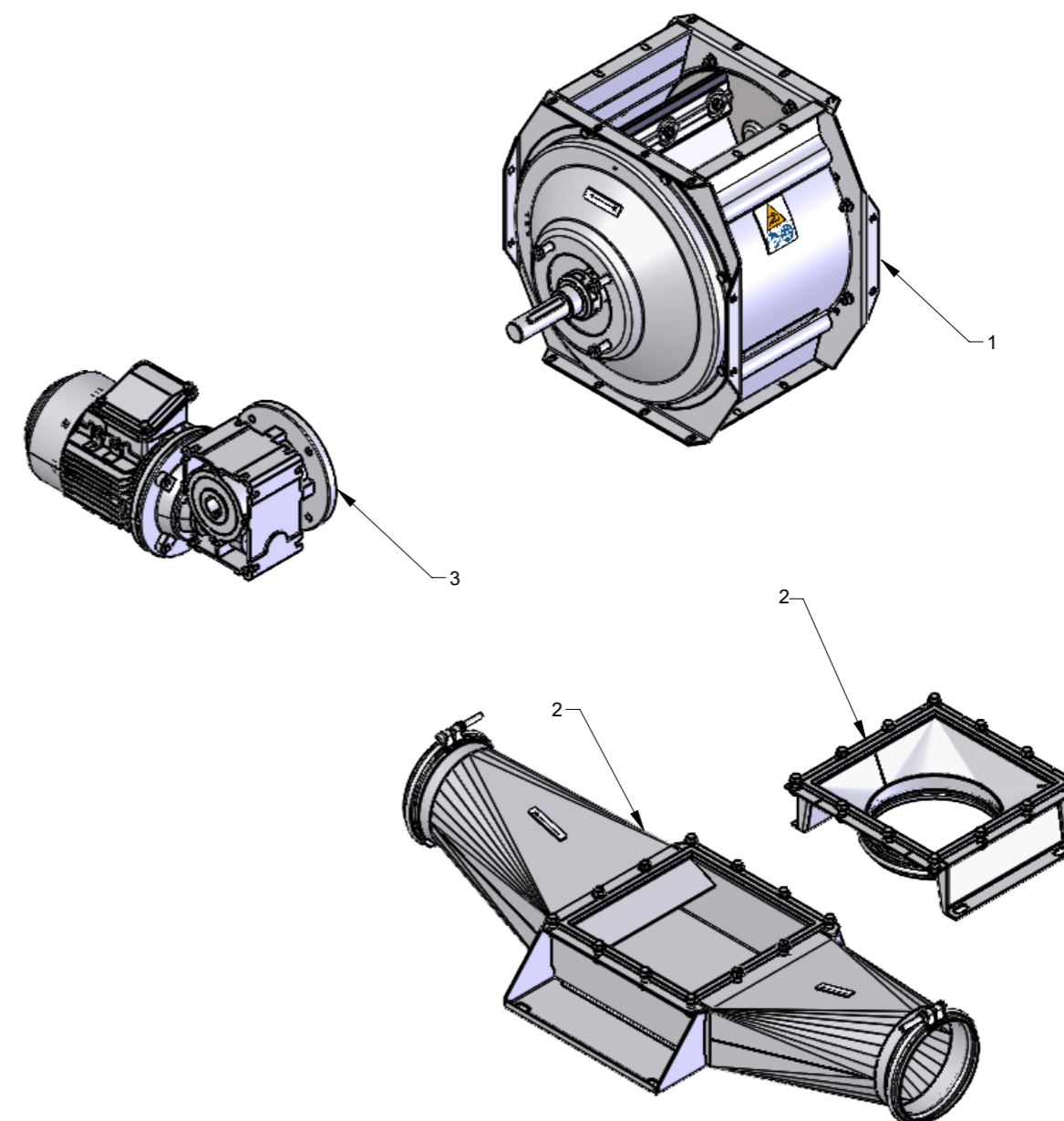


# CA 30G / CA 40G

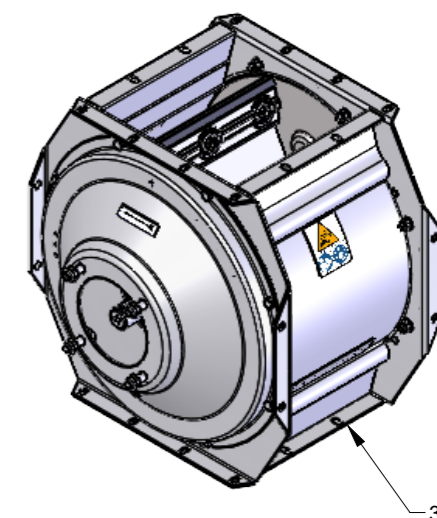
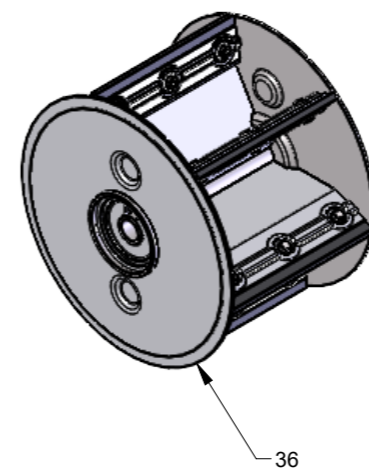
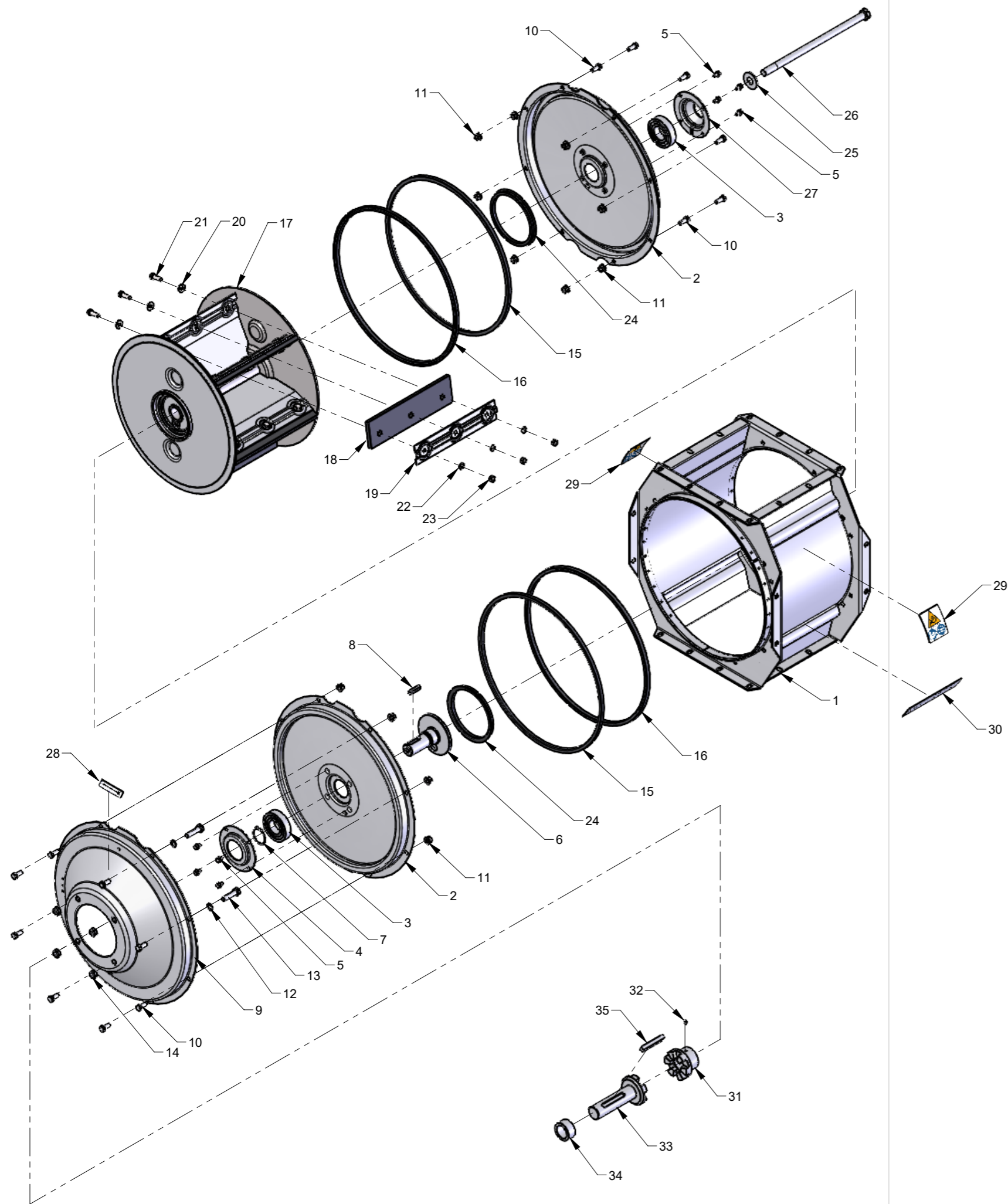
## Rotary valve



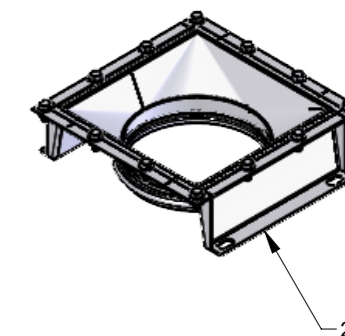
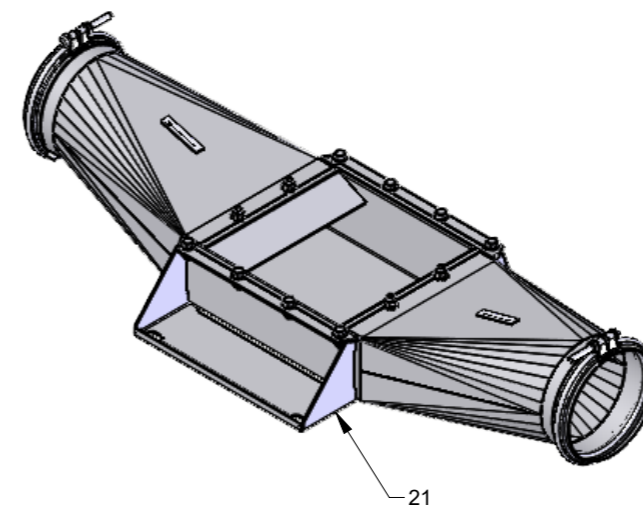
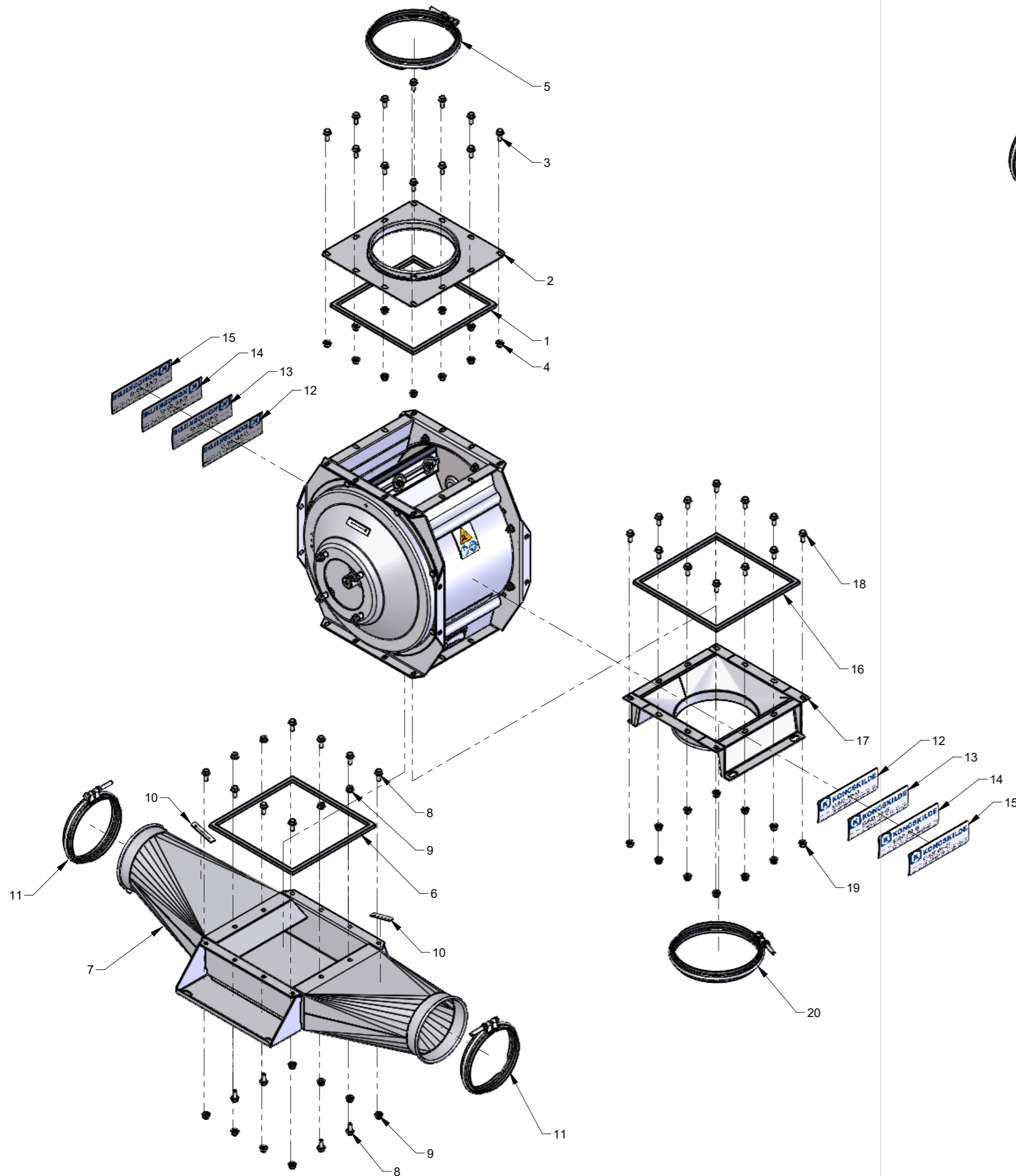
Spare parts list



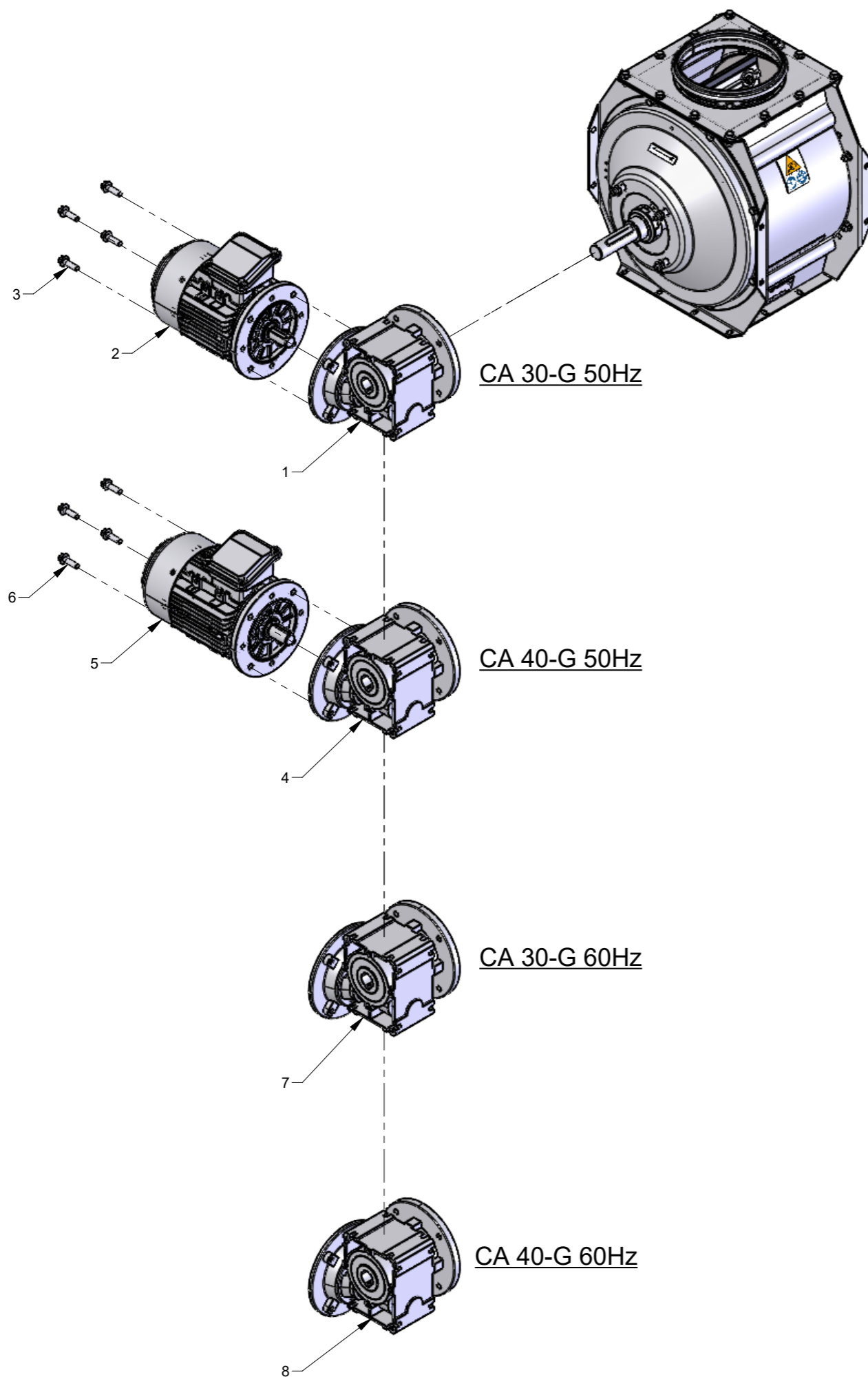
Pos.	Spare parts list - page	Description
1 1	121108901-04-05	CA 30-G/40-G Rotary Valve
1 2	121108901-06-07	CA 30-G/40-G Outlet
1 3	121108901-08-09	CA 30-G/40-G Gear and motor



Pos.	Pcs.	Part no.	Description
1	1	121108232	Housing for CA/RF 40
2	2	121109088	Side cover for rotary valve
3	2	100401003	Ball bearing 6207 2RS1
4	1	121109089	Bearing cover, gearmotor side
5	8	100323460	Thread forming flange screw M6x10 DIN 7500D
6	1	121108224	Shaft pin for pulley CA40-2,welded
7	1	100407009	Lock ring U35x1,5
8	1	100405015	Key A8x7x36 DIN 6885
9	1	121108278	Gearmotor cover
10	16	100306015	Set screw M8x20 DIN 933 elgalv.
11	16	100316108	Flangenut with threadlock M8 DIN 6927 Elgv.
12	4	100332020	Serrated washer M10 DIN 67981, elgalvanized
13	4	100308037	Screw M10x40 DIN 933
14	4	100316004	Lock nut M10 DIN 985-6
15	2	121100349	Gasket ring for side cover, rubber
16	2	121100368	Sealing ring for side cover, plastic
17	1	121108215	CA 40-2 rotor grinded
18	6	121108007	Rubber paddle
19	6	121108136	Clamping bracket for CA 30-G/40-G
20	18	100331096	Washer M8 (8,4-20-2) elgv
21	18	100308002	Set screw M8x25 DIN 933
22	18	100332003	Lock Washer M8 DIN 6798A
23	18	100315012	Nut M8 DIN 934
24	2	100413069	V-ring 120A
25	1	121108135	Washer Ø42/17 x 3mm, steel
26	1	100302054	Screw M16 x 320mm DIN 931, elgalvanized
27	1	121109090	Bearing cover, non-gearmotor side
28	1	121000325	Label [Arrow], black on white
29	2	121000842	Label [Fingers/read manual/disconnect power] yellow/blue/black on white
30	1	121000323	Label [Warranty void if...], black on transparent
31	1	121108275	Coupling part for rotor Ø30/Ø35
32	1	100322010	Grub screw M6 x 8mm DIN 914
33	1	121108277	Coupling part for gear Ø32
34	1	121109092	Bushing Ø44,5/Ø32,5x21mm
35	1	100405035	Key A10x8x70mm DIN 6885
36	1	121108117	Rotor mounted CA 30-G/40-G
37	1	121108364	CA 30-G/40-G housing assembled



Pos.	Pcs.	Part no.	Description
1	1	121108536	Sealing for CA/RF 30/40 flange
2	1	121108023	CA/RF 30/40 Inlet OK 200
3	12	100323380	Flange set screw M8 x 20mm DIN 6921, elgalvanized
4	12	100316108	Flangenut with threadlock M8 DIN 6927 Elgv.
5	1	122050237	OK 200 Safety clamp with bolt
6	1	121108536	Sealing for CA/RF 30/40 flange
7	1	121108380	CAD/RFD 30/40 Horizontal outlet OK 160
8	12	100323380	Flange set screw M8 x 20mm DIN 6921, elgalvanized
9	12	100316108	Flangenut with threadlock M8 DIN 6927 Elgv.
10	2	121000325	Label [Arrow], black on white
11	2	122001078	Safety clamp with bolt
12	2	121108950	Label [KONGSKILDE CAD 30-G], blue/black on transparent
13	2	121108951	Label [KONGSKILDE CAD 40-G], blue/black on transparent
14	2	121108952	Label [KONGSKILDE CAE 30-G], blue/black on transparent
15	2	121108953	Label [KONGSKILDE CAE 40-G], blue/black on transparent
16	1	121108536	Sealing for CA/RF 30/40 flange
17	1	121108240	CAE/RFE 30/40 Vertical outlet OK 200
18	12	100323380	Flange set screw M8 x 20mm DIN 6921, elgalvanized
19	12	100316108	Flangenut with threadlock M8 DIN 6927 Elgv.
20	1	122050237	OK 200 Safety clamp with bolt
21	1	121108189	CAD/RFD 30/40 Horizontal outlet OK 160 complete
22	1	121108241	CAE/RFE 30/40 Vertical outlet OK 200 complete



Pos.	Pcs.	Part no.	Description
1	1	100505072	Worm gear IEC90/B5, l=40
2	1	100501011	AC Motor 90L-4p B5 1,1(1,1)kW 3x230/400(460)V 50(60)Hz IE3 UL/CSA
3	4	100308174	Flange set screw M10x35 DIN 6921, elgalvanized
4	1	100505078	Worm gear IEC90/B5, l=25
5	1	100505012	AC Motor 90L-4p B5 1,5(1,5)kW 3x230/400(460)V 50(60)Hz IE3 UL/CSA
6	4	100308174	Flange set screw M10x35 DIN 6921, elgalvanized
7	1	100505072	Worm gear IEC90/B5, l=40
8	1	100505073	Worm gear IEC90/B5, l=30



**Kongskilde Industries A/S**

Skælskørvej 64

DK - 4180 Sorø

Tel. +45 72 17 60 00

[mail@kongskilde-industries.com](mailto:mail@kongskilde-industries.com)

[www.kongskilde-industries.com](http://www.kongskilde-industries.com)