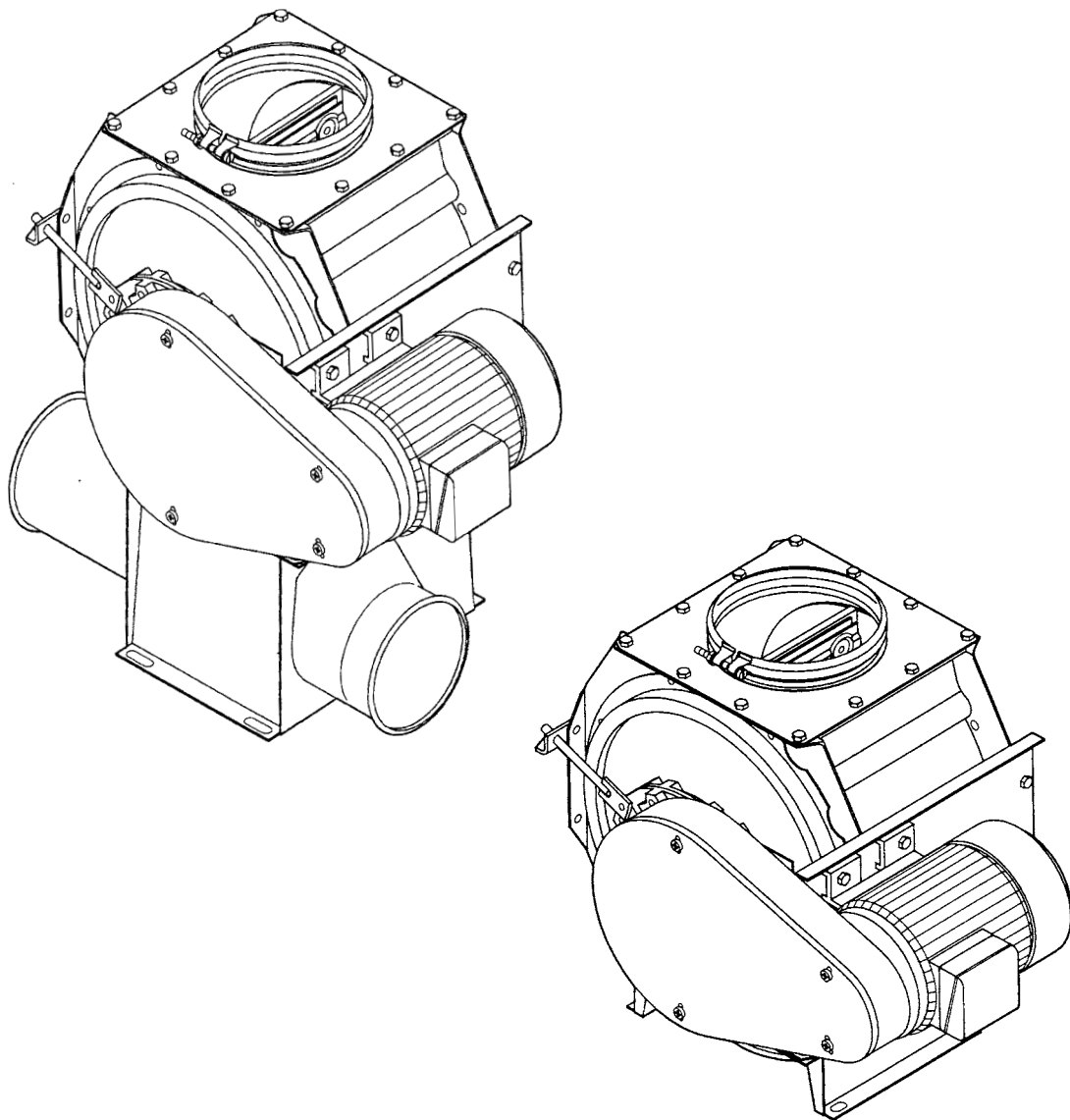


CAD 40 & CAE 40

Rotary valves



Spare parts list

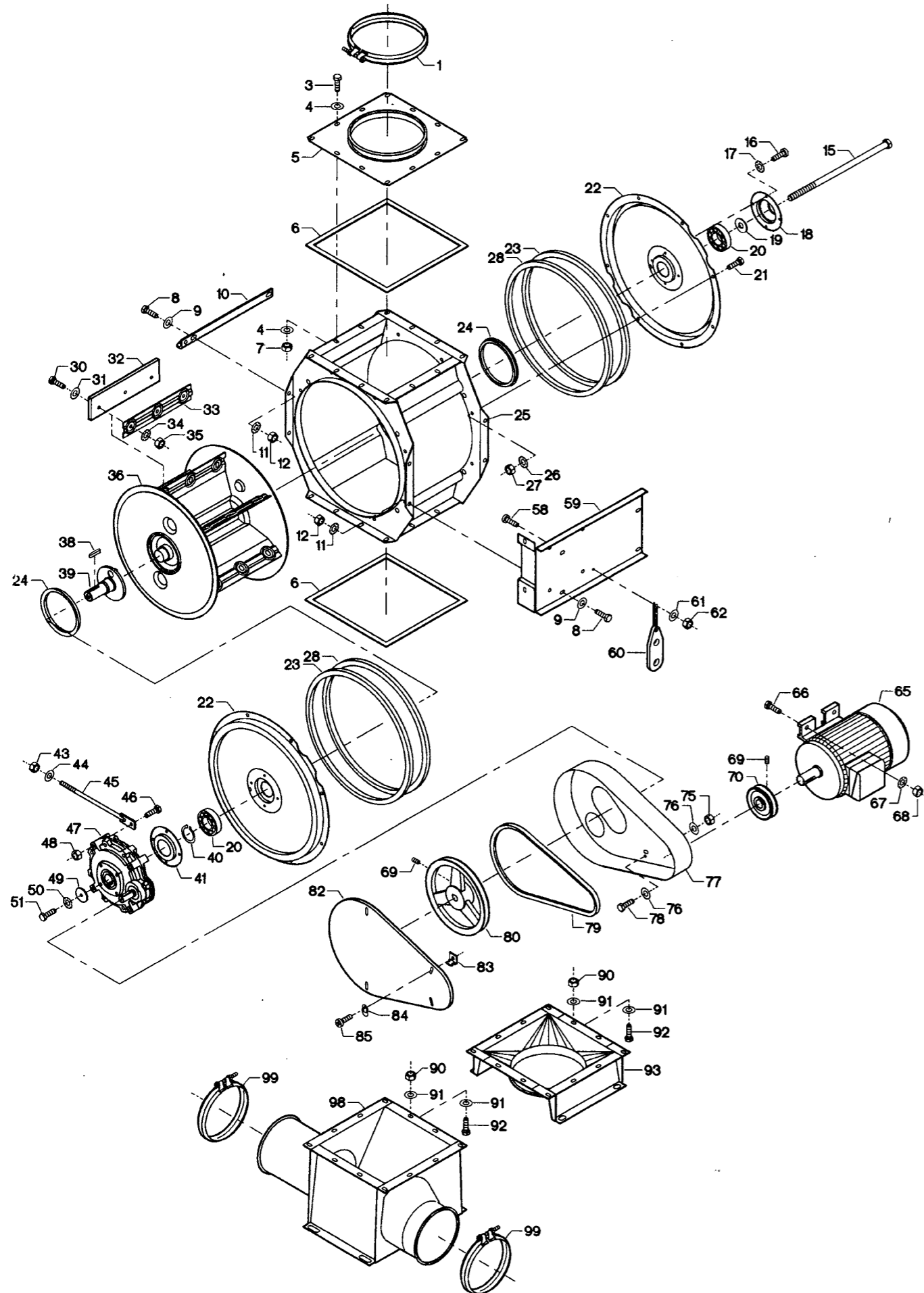


Fig.	Part no.	Pieces	Notes
1	122 050 237	1	Bolt clamp OK200, for spec. safety joint
3	100 306 014	12	Set screw M8 x 15/16 mm
4	100 331 005	24	Flat washer M8
5	121 108 023	1	
6	100 202 011	-	7 x 8 mm. Order 2.2 m
7	100 315 012	12	Nut M8
8	100 308 004	6	Set screw M10 x 20 mm
9	100 331 006	6	Flat washer M10
10	121 108 040	1	
11	100 332 004	6	Star washer M10
12	100 315 013	6	Nut M10
15	100 302 054	1	Bolt M16 x 320 mm
16	100 321 013	8	Torx screw M6 x 10 mm
17	100 332 002	8	Star washer M6
18	121 109 090	1	
19	121 108 135	1	
20	100 401 003	2	Ball bearing # 6207-2RS
21	100 306 014	16	Set screw M8 x 15/16 mm
22	121 109 088	2	
23	121 100 349	2	
24	100 413 069	2	
25	121 108 232	1	
26	100 332 003	16	Star washer M8
27	100 315 012	16	Nut M8
28	121 100 368	2	
30	100 308 002	18	Set screw M8 x 25 mm
31	100 331 096	18	Flat washer M8
32	121 108 007	6	
33	121 108 136	6	
34	100 332 003	18	Star washer M8
35	100 315 012	18	Nut M8
36	121 108 215	1	
Cpl:	121 108 117	1	Complete incl. items 30 - 36
38	100 405 015	1	Key 8 x 7 x 36 mm
39	121 108 224	1	
40	100 407 009	1	Circlip ø35 x 1.5 mm
41	121 109 089	1	
Cpl:	121 108 121	1	Complete incl. items 15 - 41
43	100 315 013	1	Nut M10
44	100 331 006	1	Flat washer M10
45	121 108 148	1	
46	100 306 111	1	Bolt M8 x 80 mm
47	121 122 140	1	Gear AM11
48	100 316 003	1	Lock nut M8
49	121 000 021	1	ø42/ø9 x 3 mm
50	100 332 003	1	Star washer M8
51	100 306 017	1	Set screw M8 x 30 mm
58	100 321 015	1	Torx screw M6 x 15/16 mm
59	121 108 037	1	
60	100 511 001	1	
61	100 331 004	1	Flat washer M6
62	100 315 028	1	Nut M6
65	100 501 008	1	Motor 90 L4 1,5kW B3 3 x 400V 50Hz
65	100 501 309	1	Motor 90 L4 1,5kW B3 3 x 440V 60Hz
66	100 308 002	4	Set screw M8 x 25 mm
67	100 332 003	4	Star washer M8
68	100 315 012	4	Nut M8
69	100 322 001	1	Stop screw M6 x 10 mm
70	121 106 033	1	V-belt pulley A-85/1 groove, bore ø24 mm.
70	170 030 044	1	V-belt pulley SPA 71/1 groove, bore ø24 mm.
75	100 315 012	2	Nut M8
76	100 331 005	4	Flat washer M8
77	121 108 142	1	
78	100 306 014	2	Set screw M8 x 15/16 mm
79	100 403 018	1	V-belt A37.5
80	121 122 052	1	V-belt pulley SPA 212/1 groove
82	121 108 143	1	
83	121 000 402	4	
84	121 000 686	4	
85	100 321 010	4	Torx screw M5 x 12 mm
90	100 315 012	12	Nut M8
91	100 331 005	24	Flat washer M8
92	100 306 014	12	Set screw M8 x 15/16 mm
93	121 108 240	1	
Cpl:	121 108 241	1	Complete incl. items 90 - 93
98	121 108 243	1	
99	122 001 078	2	Bolt clamp OK160, for spec. safety joint

Kongskilde Industries A/S

Skælskørvej 64

DK - 4180 Sorø

Tel. +45 72 17 60 00

mail@kongskilde-industries.com

www.kongskilde-industries.com