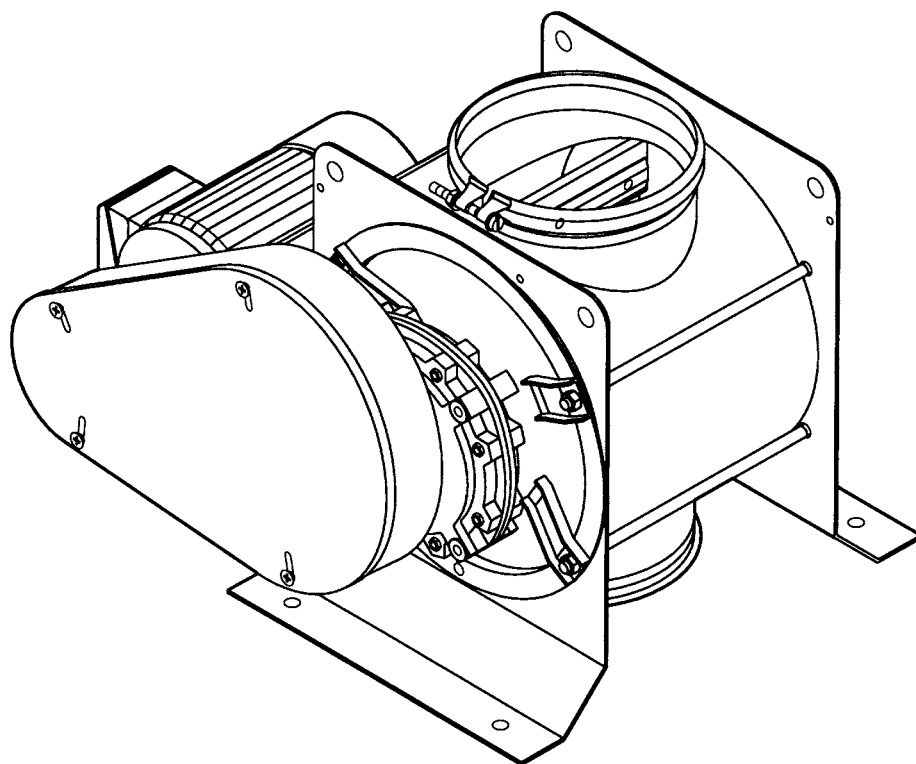


# CAE 30

## Rotary valve



Spare parts list

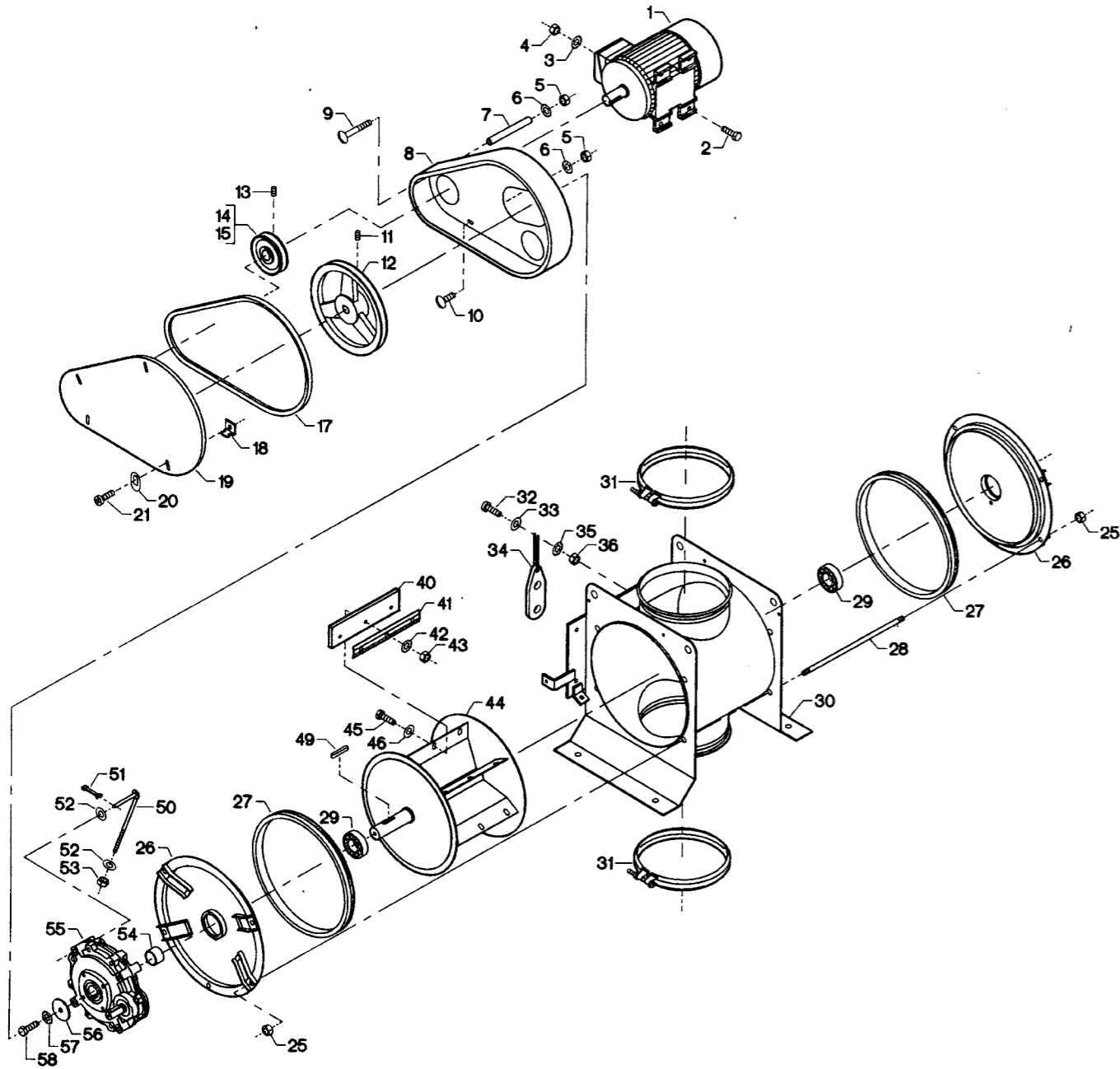


Fig.	Part no.	Pieces	Notes
1	100 501 002	1	Motor 90 S-4 1.1 kW B3
2	100 306 017	4	Set screw M8 x 30 mm
3	100 332 003	4	Star washer M8
4	100 315 012	4	Nut M8
5	100 315 028	3	Nut M6
6	100 332 002	3	Star washer M6
7	121 107 014	1	
8	121 107 045	1	
9	100 311 014	2	Coach bolt M6 x 120 mm
10	100 311 001	1	Coach bolt M6 x 20 mm
11	100 322 001	1	Stop screw M6 x 10 mm
12	121 122 052	1	V-belt pulley SPA 212 with 1 groove, bore ø18 mm
13	100 322 001	1	Stop screw M6 x 10 mm
14	121 122 053	1	V-belt pulley A 85 with 1 groove, bore ø24 mm
15	121 107 030	1	V-belt pulley A71 with 1 groove, w/o bore
17	100 403 018	1	V-belt A37.5
18	121 000 402	4	
19	121 108 143	1	
20	121 000 686	4	
21	100 321 010	4	Crosshead screw M5 x 12 mm
25	100 315 013	8	Nut M10
26	121 107 009	2	
27	121 106 089	2	
28	121 105 024	4	
29	100 401 011	2	Ball bearing # 6206 - 2RS1
30	121 107 001	1	
31	122 050 110	2	Clamp with bolt OK200
32	100 321 015	1	Crosshead screw M6 x 15 mm
33	100 331 004	1	Flat washer M6
34	100 511 001	1	
35	100 332 002	1	Star washer M6
36	100 315 028	1	Nut M6
40	121 105 016	6	
41	121 105 017	6	
42	100 332 003	18	Star washer M8
43	100 315 012	18	Nut M8
44	121 105 012	1	
45	100 308 002	18	Set screw M8 x 25 mm
46	100 331 005	18	Flat washer M8
Cpl	121 105 011	1	Complete incl. items 40 - 46
49	100 405 015	1	Key 8 x 7 x 36 mm
50	121 106 008	1	
51	100 333 000	1	Split pin ø2 x 15 mm
52	100 331 005	2	Flat washer M8
53	100 315 012	1	Nut M8
54	121 107 022	1	
55	121 122 140	1	Gear AM 11
56	121 000 021	1	
57	100 332 003	1	Star washer M8
58	100 306 017	1	Set screw M8 x 30 mm

**Kongskilde Industries A/S**

Skælskørvej 64

DK - 4180 Sorø

Tel. +45 72 17 60 00

[mail@kongskilde-industries.com](mailto:mail@kongskilde-industries.com)

[www.kongskilde-industries.com](http://www.kongskilde-industries.com)