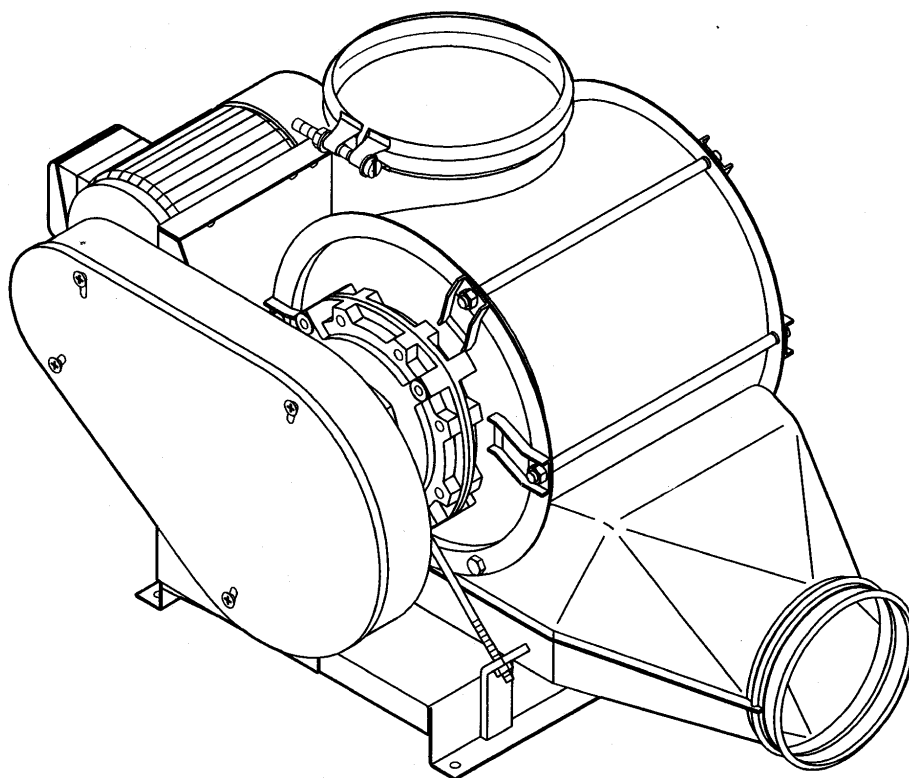


CAD 30

Rotary valve



Spare parts list

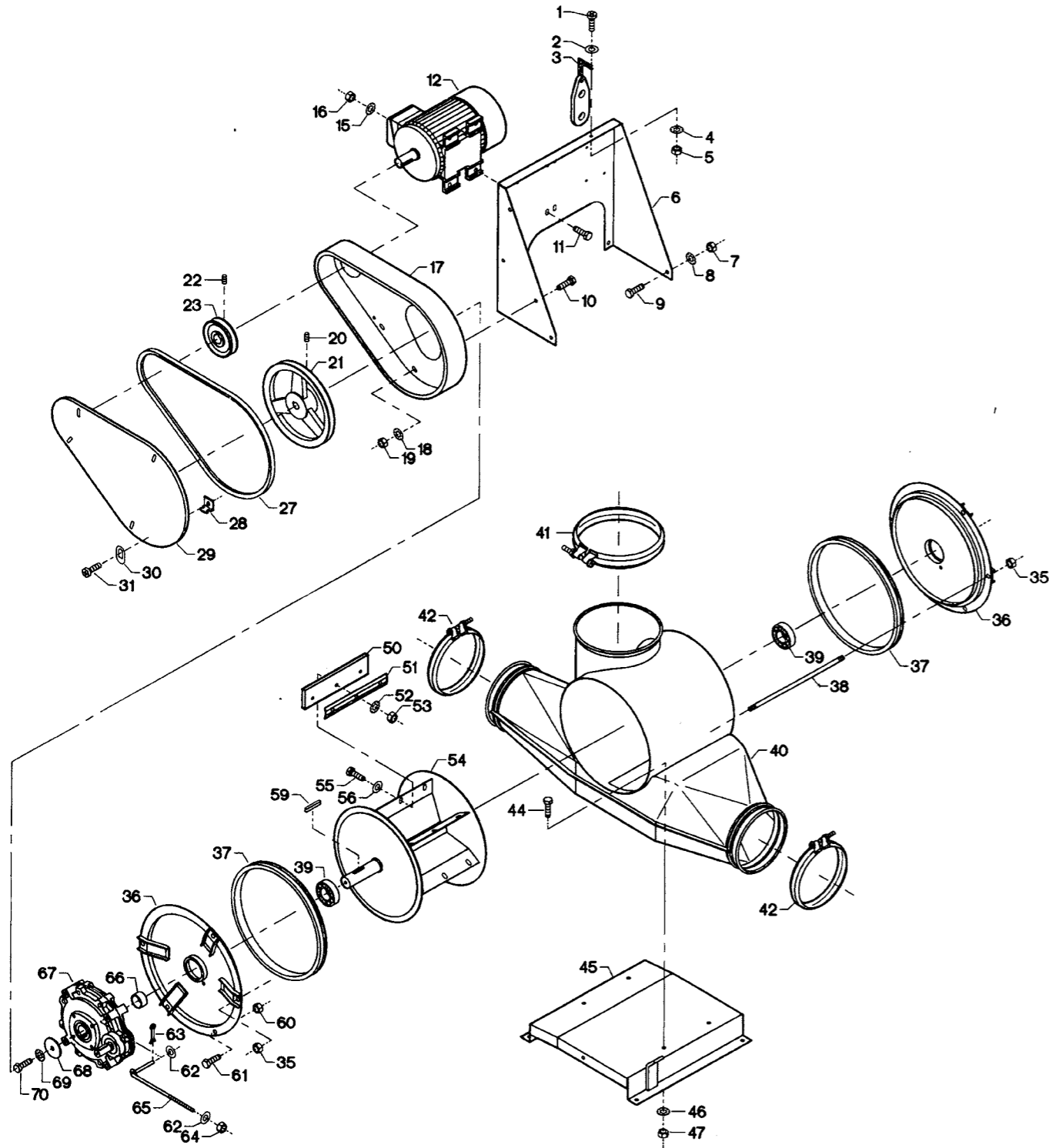


Fig.	Part no.	Pieces	Notes
1	100 321 015	1	Torx screw M6 x 15 mm
2	100 331 004	1	Flat washer M6
3	100 511 001	1	
4	100 332 002	1	Star washer M6
5	100 315 028	1	Nut M6
6	121 106 094	1	
7	100 315 012	4	Nut M8
8	100 332 003	4	Star washer M8
9	100 306 014	4	Set screw M8 x 15 mm
10	100 306 014	3	Set screw M8 x 15 mm
11	100 306 017	4	Set screw M8 x 30 mm
12	100 501 002	1	Motor 90 S4 1.1 kW B3
	100 501 208	1	Motor 90 S4 1.1 kW 440V 60 HZ B3
15	100 332 003	4	Star washer M8
16	100 315 012	4	Nut M8
17	121 108 142	1	
18	100 332 003	3	Star washer M8
19	100 315 012	3	Nut M8
20	100 322 001	1	Stop screw M6 x 10 mm
21	121 122 052	1	V-belt pulley SPA 212 with 1 groove, bore ø18 mm
22	100 322 001	1	Stop screw M6 x 10 mm
23	121 122 053	1	V-belt pulley A 85 with 1 groove, bore ø24 mm
	170 030 044	1	V-belt pulley SPA 71 with 1 groove, bore ø24 mm
27	100 403 018	1	V-belt A37.5
28	121 000 402	4	
29	121 108 143	1	
30	121 000 686	4	
31	100 321 010	4	Torx screw M5 x 12 mm
35	100 315 013	8	Nut M10
36	121 107 009	2	
37	121 106 089	2	
38	121 105 024	4	
39	100 401 011	2	Ball bearing # 6206 - 2RS1
40	121 105 028	1	
41	122 050 237	1	Bolt clamp OK200, for spec. safety joint
42	122 001 078	2	Bolt clamp OK160, for spec. safety joint
44	100 306 014	4	Set screw M8 x 15 mm
45	121 106 093	1	
46	100 332 003	4	Star washer M8
47	100 315 012	4	Nut M8
50	121 105 016	6	
51	121 105 017	6	
52	100 332 003	18	Star washer M8
53	100 315 012	18	Nut M8
54	121 105 012	1	
55	100 308 002	18	Set screw M8 x 25 mm
56	100 331 005	18	Flat washer M8
Cpl	121 105 011	1	Complete incl. items 50 - 56
59	100 405 015	1	Key 8 x 7 x 36 mm
60	100 315 012	4	Nut M8
61	100 306 017	2	Set screw M8 x 30 mm
62	100 331 005	2	Flat washer M8
63	100 333 000	1	Split pin ø2 x 15 mm
64	100 315 012	1	Nut M8
65	121 106 008	1	
66	121 122 191	1	Gear AM 11
67	121 122 140	1	
68	121 000 021	1	
69	100 332 003	1	Star washer M8
70	100 306 017	1	Set screw M8 x 30 mm

Kongskilde Industries A/S

Skælskørvej 64

DK - 4180 Sorø

Tel. +45 72 17 60 00

mail@kongskilde-industries.com

www.kongskilde-industries.com