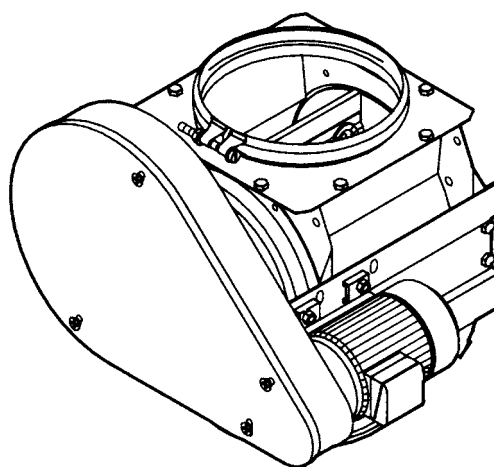
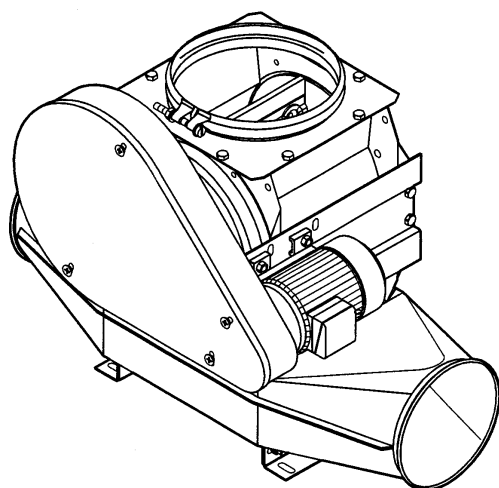


CAD 20 & CAE 20

Rotary Valves



Spare parts list

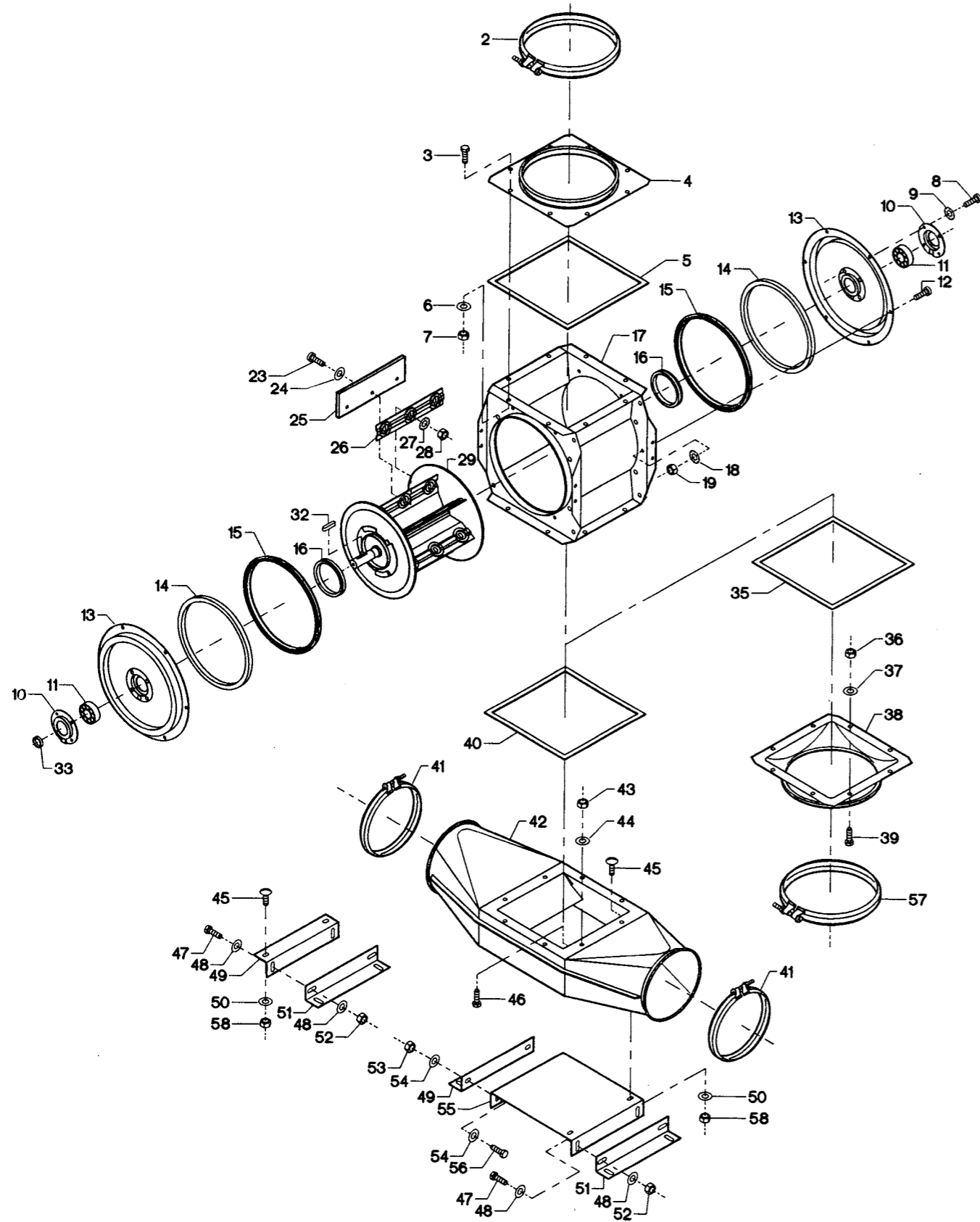


Fig.	Part no.	Pieces	Notes
2	122 050 237	1	Bolt clamp OK200, for spec. safety joint
3	100 306 014	8	Set screw M8 x 15 mm
4	121 100 422	1	Transition tube, OK200 to square
5	100 202 011	-	Sealing strip 7 x 8 mm # 1. Indicate length 0.9 m when ordering
6	100 331 005	8	Flat washer M8
7	100 315 012	8	Nut M8
8	100 321 013	8	Torx screw M6 x 10 mm
9	100 332 002	8	Star washer M6
10	121 100 186	2	Bearing cap
11	100 401 002	2	Ball bearing # 62 04-2RS
12	100 321 014	12	Torx screw M6 x 12 mm
13	121 100 185	2	Rotary valve end casing
14	121 100 269	2	Sealing ring
15	121 100 365	2	Sealing ring
16	100 413 098	2	V-ring # V-0080 A
17	121 100 319	1	Casing
18	100 332 002	12	Star washer M6
19	100 315 028	12	Nut M6
23	100 321 016	18	Torx screw M6 x 20 mm
24	100 331 004	18	Flat washer M6
25	121 100 210	6	Rotary wheel rubber blade
26	121 100 187	6	Clamp plate
27	100 332 002	18	Star washer M6
28	100 315 028	18	Nut M6
29	121 100 206	1	Rotary wheel
Cpl:	121 100 214	1	Rotary wheel complete with rubber blades, incl. items 23 - 29
32	100 405 019	1	Key 6 x 6 x 28 mm
33	121 100 370	1	Spacer
Cpl:	121 100 215	1	Casing complete, incl. items 3 - 33
35	100 202 011	-	Sealing strip 7 x 8 mm # 1. Indicate length 0.9 m when ordering
36	100 315 012	8	Nut M8
37	100 331 005	8	Flat washer M8
38	121 100 425	1	Transition tube CAE 20, square to OK200
39	100 306 014	8	Set screw M8 x 15 mm
Cpl:	121 100 424	1	Transition tube CAE 20 complete, incl. items 35 - 39
40	100 202 011	-	Sealing strip 7 x 8 mm # 1. Indicate length 0.9 m when ordering
41	122 001 078	2	Bolt clamp OK160, for spec. safety joint
42	121 100 427	1	
43	100 315 012	8	Nut M8
44	100 331 005	8	Flat washer M8
45	100 311 000	2	Coach bolt M6 x 15 mm
46	100 306 014	8	Set screw M8 x 15 mm
47	100 306 014	2	Set screw M8 x 15 mm
48	100 331 005	4	Flat washer M8
49	121 100 241	1	Foot
50	100 331 004	2	Flat washer M6
51	121 100 242	1	Foot
52	100 315 012	2	Nut M8
53	100 315 028	2	Nut M6
54	100 331 004	2	Flat washer M6
55	121 100 251	1	Base
56	100 306 001	2	Set screw st.8.8 M6 x 20 mm
57	122 050 237	1	Bolt clamp OK200, for spec. safety joint
58	100 315 028	2	Nut M6

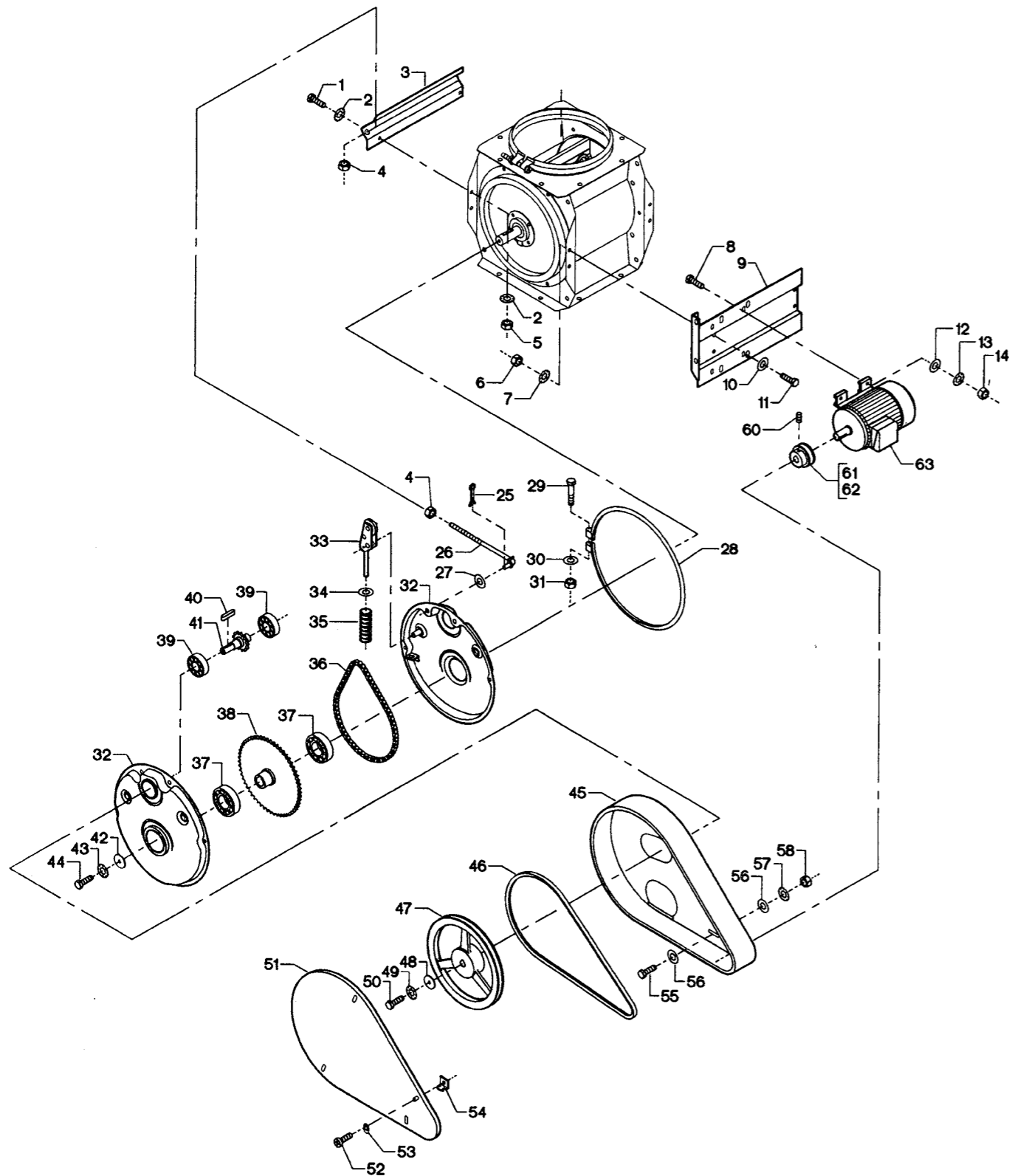


Fig.	Part no.	Pieces	Notes
1	100 308 018	2	Set screw M6 x 12 mm
2	100 332 002	4	Star washer M6
3	121 100 199	1	Belt tightener backstop
4	100 315 012	2	Nut M8
5	100 315 028	2	Nut M6
6	100 315 028	4	Nut M6
7	100 332 002	4	Star washer M6
8	100 308 002	4	Set screw M8 x 25 mm
9	121 100 200	1	Motor mounting plate
10	100 331 004	4	Flat washer M6
11	100 308 018	4	Set screw M6 x 12 mm
12	100 331 005	4	Flat washer M8
13	100 332 003	4	Star washer M8
14	100 315 012	4	Nut M8
25	100 333 001	1	Split pin ø3 x 20 mm
26	121 100 196	1	Belt tightener
27	100 331 005	1	Flat washer M8
28	121 100 179	1	Clamp
29	100 323 145	1	Set screw M8 x 75 mm
30	100 331 013	1	Flat washer M8
31	100 315 012	1	Nut M8
32	121 100 161	2	Chain housing
33	121 100 175	1	Trunbuckle
34	100 331 096	1	Flat washer M8
35	121 134 244	2	Spring
36	121 100 174	1	Chain
37	100 401 011	2	Ball bearing # 62 06-2RS
38	121 100 380	1	Chain wheel
39	100 401 033	2	Ball bearing # 62 03-2RS
40	100 405 021	1	Key 5 x 5 x 20 mm
41	121 100 376	1	Entry shaft
Cpl:	121 100 160	1	Chain gear complete, incl. items 28 - 41
42	121 100 217	1	Flat washer ø30/7 x 2 mm
43	100 332 002	1	Star washer M6
44	100 308 025	1	Set screw M6 x 25 mm
45	121 100 193	1	Inside belt guard
46	100 403 090	1	Raw edge moulded notch V-belt SPZ 950
47	121 100 203	1	V-belt pulley SPZ 200/1 groove
48	121 100 217	1	Flat washer ø30/7 x 2 mm
49	100 332 002	1	Star washer M6
50	100 306 001	1	Set screw M6 x 20 mm
51	121 100 183	1	Outside belt guard
52	100 321 010	4	Torx screw M5 x 12 mm
53	121 000 686	4	Belt guard mounting plate
54	121 000 402	4	Belt guard mounting clip
55	100 323 041	2	Set screw M6 x 15 mm
56	100 331 004	4	Flat washer M6
57	100 332 002	2	Star washer M6
58	100 315 028	2	Nut M6
60	100 322 001	1	Stop screw M6 x 10 mm
Cpl:	121 100 547	1	Fig.60+61 V-belt pulley SPZ 43/1 groove, bore ø19 mm. 50 Hz/1400 rpm
Cpl:	121 100 240	1	Fig.60+62 V-belt pulley SPZ 36/1 groove, bore ø15.86 mm (5/8"). 60 Hz/1700 rpm
63	100 501 144	1	Motor 80 K4 0,55kW B3 3 x 380 V 50Hz
63	100 501 253	1	Motor 71 K4 0,55kW B3 3 x 440V 60Hz

Kongskilde Industries A/S

Skælskørvej 64

DK - 4180 Sorø

Tel. +45 72 17 60 00

mail@kongskilde-industries.com

www.kongskilde-industries.com