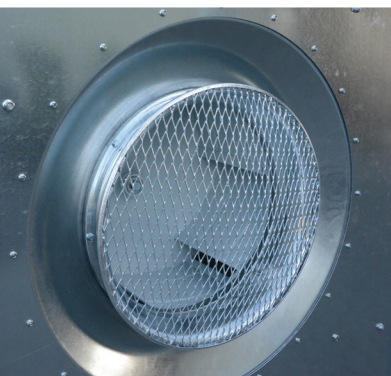


High Volume Blowers

Efficient Aeration
of Grain Storage

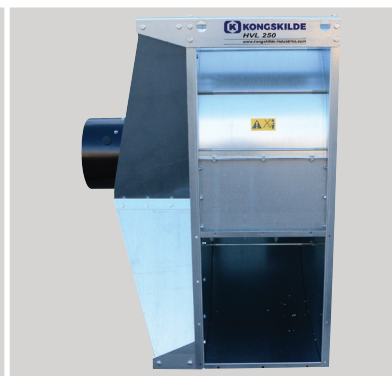
HVL Blowers



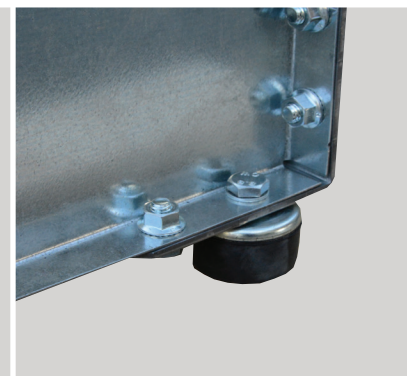
Backwards curved rotor blades ensure high airflow and optimal efficiency.



Rain cover for outdoor installation available as optional.



HVL 30 - 250 for horizontal or vertical installation without the need for extra parts.



Vibration dampers available as optional for HVL 30 - 250.

Kongskilde offers a wide range of high-volume low-pressure blowers ideal for drying and aeration of grain and other crops.

Benefits

- Wide range of blowers.
- Ideal for all sizes of installations.
- Made of galvanized steel, suitable for outdoor installation.
- Rotors with backwards curved blades, carefully balanced.
- Sturdy construction.
- Direct driven motors, reducing service time and costs.

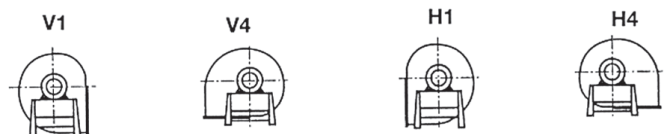
Suitable for different applications

The air flow rate of this type of blower varies little with changes in the air pressure resistance, caused by the different types of crops in on-floor-storages, silos or driers. The HVLs are therefore an ideal solution, also for small-seed crops like rape seed having a higher resistance to the air flow.

Owing to the very low temperature rise these blowers are also suitable for ventilation and cooling of crops. In industrial installations, the HVL blowers may be used for exhaust and ventilation purposes.

The HVL blowers can be installed in parallel – two smaller HVL blowers set up in parallel offer some advantages. This type of installation gives better flexibility when drying only partially filled systems. Furthermore, the starting amperage of each smaller blower is less demanding on the electrical installation.

Air Outlet



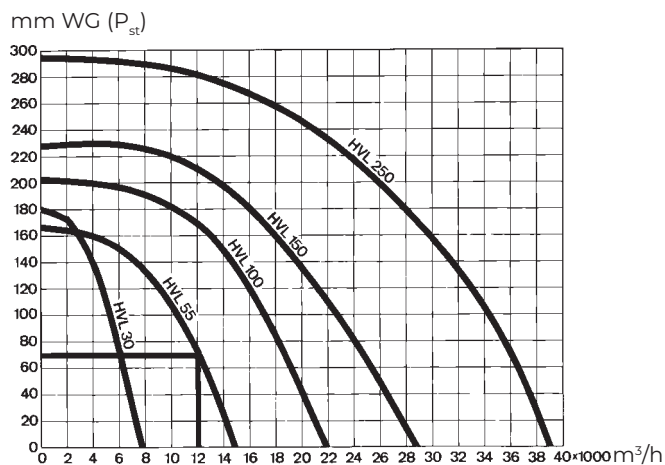
V1 is standard outlet for HVL 30-250.

V1 and H1 are standard outlets for HVL 400G, 500G, and 600G; these can also be delivered with V4 and H4 on request.

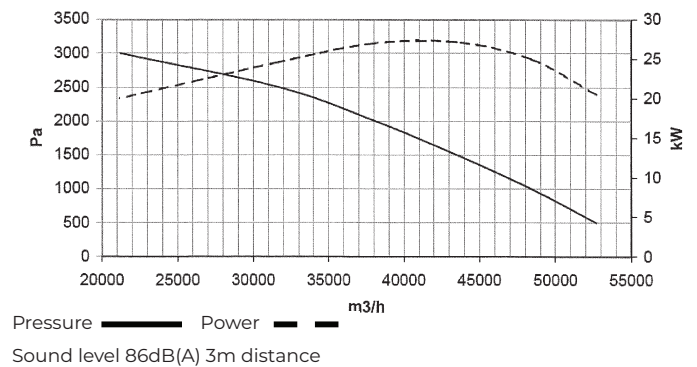
Low Pressure, High-Volume

Technical Data	HVL 30	HVL 55	HVL 100	HVL 150	HVL 250	HVL 400G	HVL 500G	HVL 600G
Motor output, kW/HP	2.2/3	4/5.5	7.5/10	11/15	18.5/25	30/40	37/50	45/60
Air flow rate m ³ /h at mm WG (P _{st})	6800 60	12500 80	18000 100	24000 100	35000 120	44600 120	55000 120	80000 120
Mains voltage, V/Hz	3x400/50	3x400/50	3x400/50	3x400/50	3x400/50	3x400/50	3x400/50	3x400/50
Amperage	4.3	7.9	13.8	20.2	33.9	54	67	81
Min. fuse amp. (recommended)	10	16	25	35	63	100	125	160
Motor speed, rpm	3000	1500	1500	1500	1500	1400	1400	950
Motor type	B3 Foot-mounted standard motor IEC/DIN							
Weight incl. motor, kg	78	143	218	351	455	575	493	1195

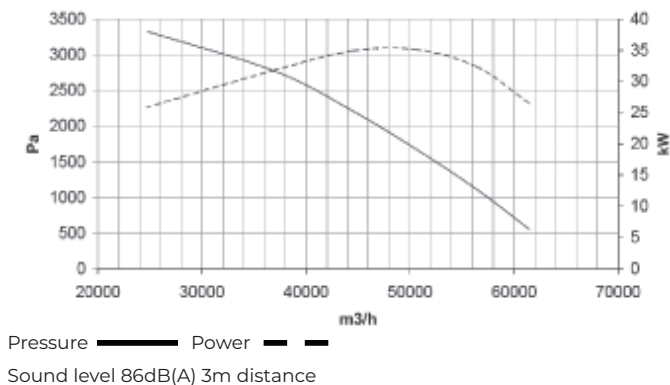
Air volume for HVL 30-250



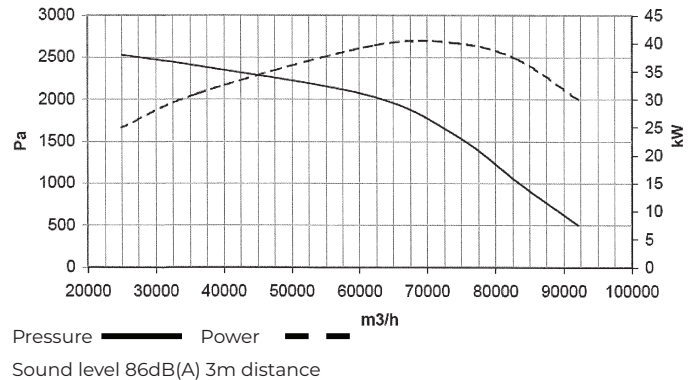
Air Volume for HVL400G (all positions)



Air Volume for HVL 500G (all positions)



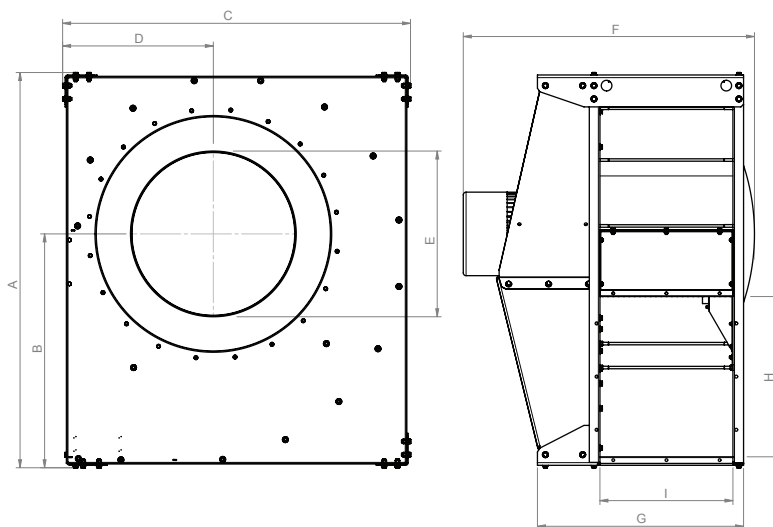
Air Volume for HVL600G (all positions)



Dimensions in mm

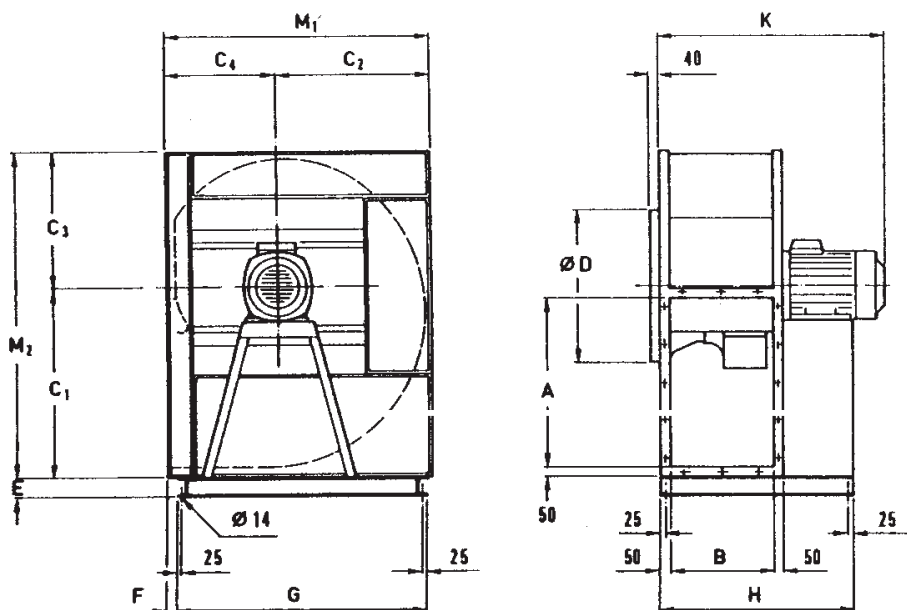
HVL 30 - 250

mm	HVL 30	HVL 55	HVL 100	HVL 150	HVL 250
A	882	1226	1426	1486	1548
B	551	723	838	879	904
C	692	1076	1206	1308	1323
D	261	463	513	567	559
E	∅ 430	∅ 506	∅ 604	∅ 623	∅ 582
F	640	818	973	1095	1222
G	500	605	700	775	800
H	372	500	586	603	592
I	300	400	465	500	525



HVL 400G - 600G

mm	HVL 400G	HVL 500G	HVL 600G
A	1000	1000	1320
B	630	630	850
C1	1125	1125	1470
C2	902	902	1184
C3	777	777	1030
C4	658	658	853
D	900	900	1250
E	100	100	150
F	25	25	25
G	1435	1435	1912
H	1177	1177	1535
K	1420	1420	1820
M1	1560	1560	2037
M2	1902	1902	2500



Subject to change without notice. 121001960 EXP/GB/HVL Galvanized/BRO/0125

Kongskilde Industries A/S

Tel.: +45 72 17 60 35

grain@kongskilde-industries.com

www.kongskilde-industries.com/grain

