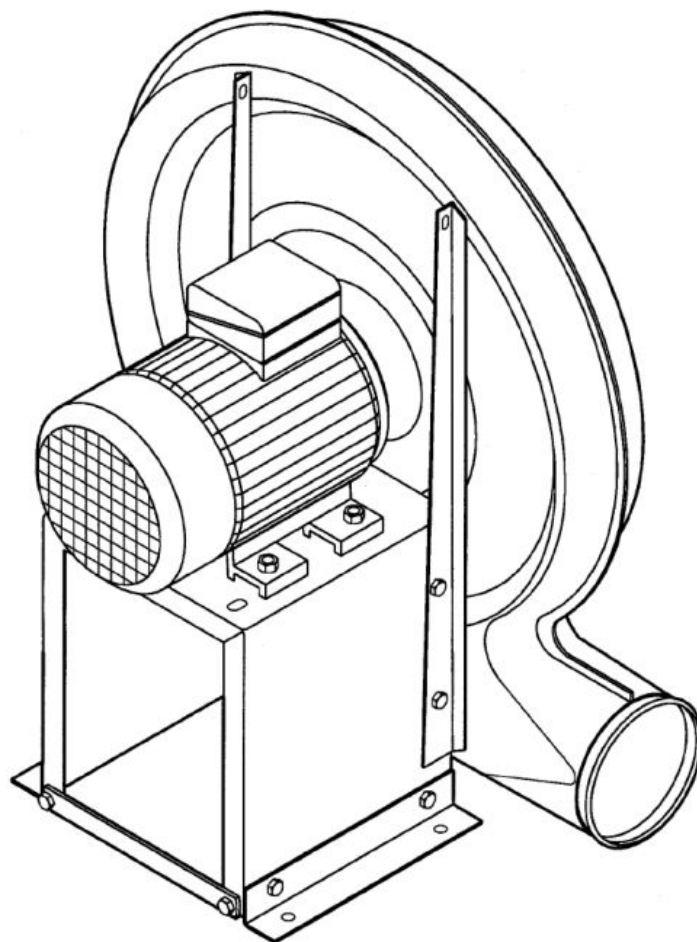


TRL 30/50/100 - 60 Hz

High pressure blowers



Spare parts list

TRL 100- 60 Hz

Spare parts list / TRL 100 - 60 Hz. Date: 03.2021

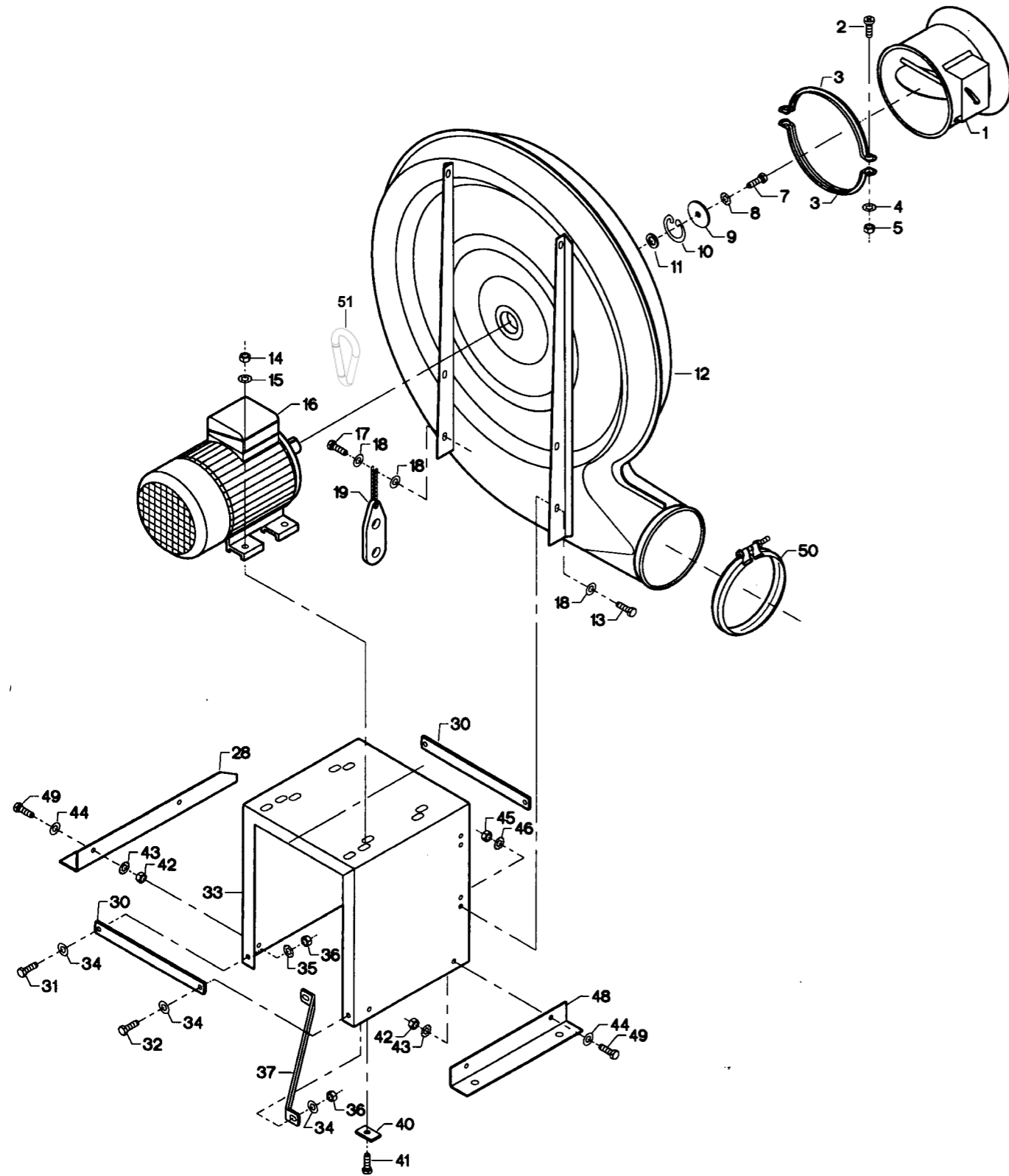


Fig.	Part no.	Pieces	Notes
1	121 080 164	1	
2	100 321 018	2	Torx screw M6 x 30 mm
3	121 000 727	2	
4	100 332 002	2	Star washer M6
5	100 315 028	2	Nut M6
7	100 323 358	1	Screw UNC 1/2" x 1 1/2"
8	100 332 021	1	Star washer M12
9	121 000 071	1	Washer
10	100 407 008	1	Circlip ø35 x 1.5 mm
11	121 075 028	1	
12	121 075 025	1	
13	100 306 014	3	Screw M8 x 16 mm
14	100 315 013	4	Nut M10
15	100 332 004	4	Star washer M10
16	100 551 054	1	Motor 215T - 10 PS - 460 V - 60 Hz - 3450 rpm - M3711T
17	100 551 055	1	Motor 215T - 10 PS - 575 V - 60 Hz - 3450 rpm - M3711T5
18	100 306 015	1	Screw M8 x 20 mm
19	100 331 005	5	Flat washer M8
28	100 511 028	1	
	121 000 768	1	
30	121 000 767	2	
31	100 306 015	2	Screw M8 x 20 mm
32	100 308 002	2	Screw M8 x 25 mm
33	121 075 053	1	
34	100 331 005	6	Flat washer M8
35	100 332 003	2	Star washer M8
36	100 315 012	4	Nut M8
37	121 000 728	1	
40	121 000 058	4	
41	100 308 037	4	Screw M10 x 40 mm
42	100 315 012	4	Nut M8
43	100 332 003	4	Star washer M8
44	100 331 005	4	Flat washer M8
45	100 315 012	4	Nut M8 for
46	100 332 003	4	Star washer M8
48	121 000 731	1	
49	100 306 014	4	Screw M8 x 16 mm
50	122 000 857	1	Bolt clamp OK160
51	100 420 260	1	Carabiner 5x50mm galvanized

Kongskilde Industries A/S

Skælskørvej 64

DK - 4180 Sorø

Tel. +45 72 17 60 00

mail@kongskilde-industries.com

www.kongskilde-industries.com