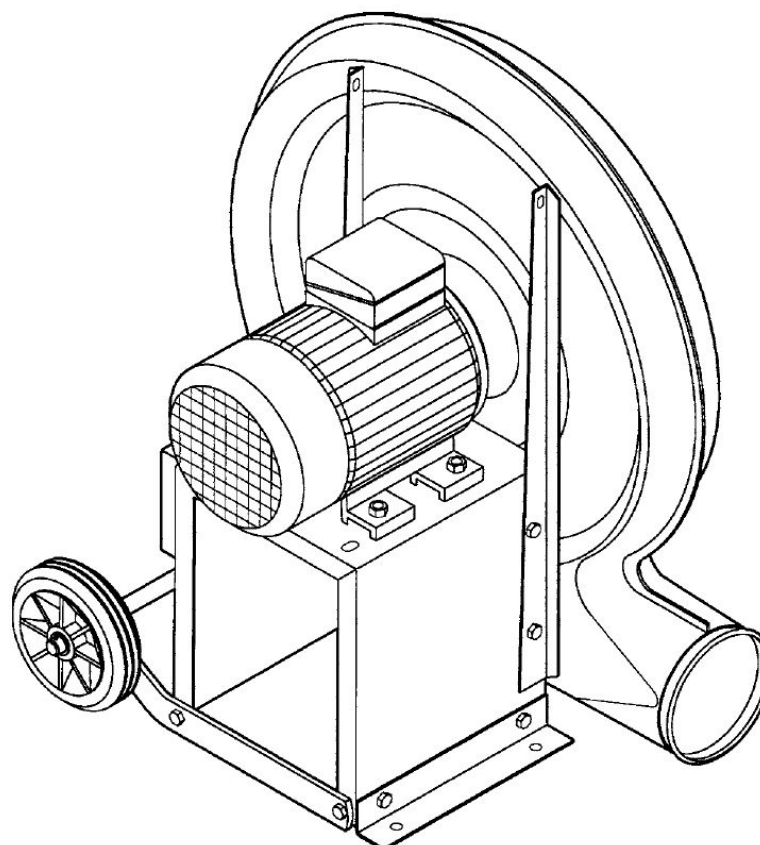


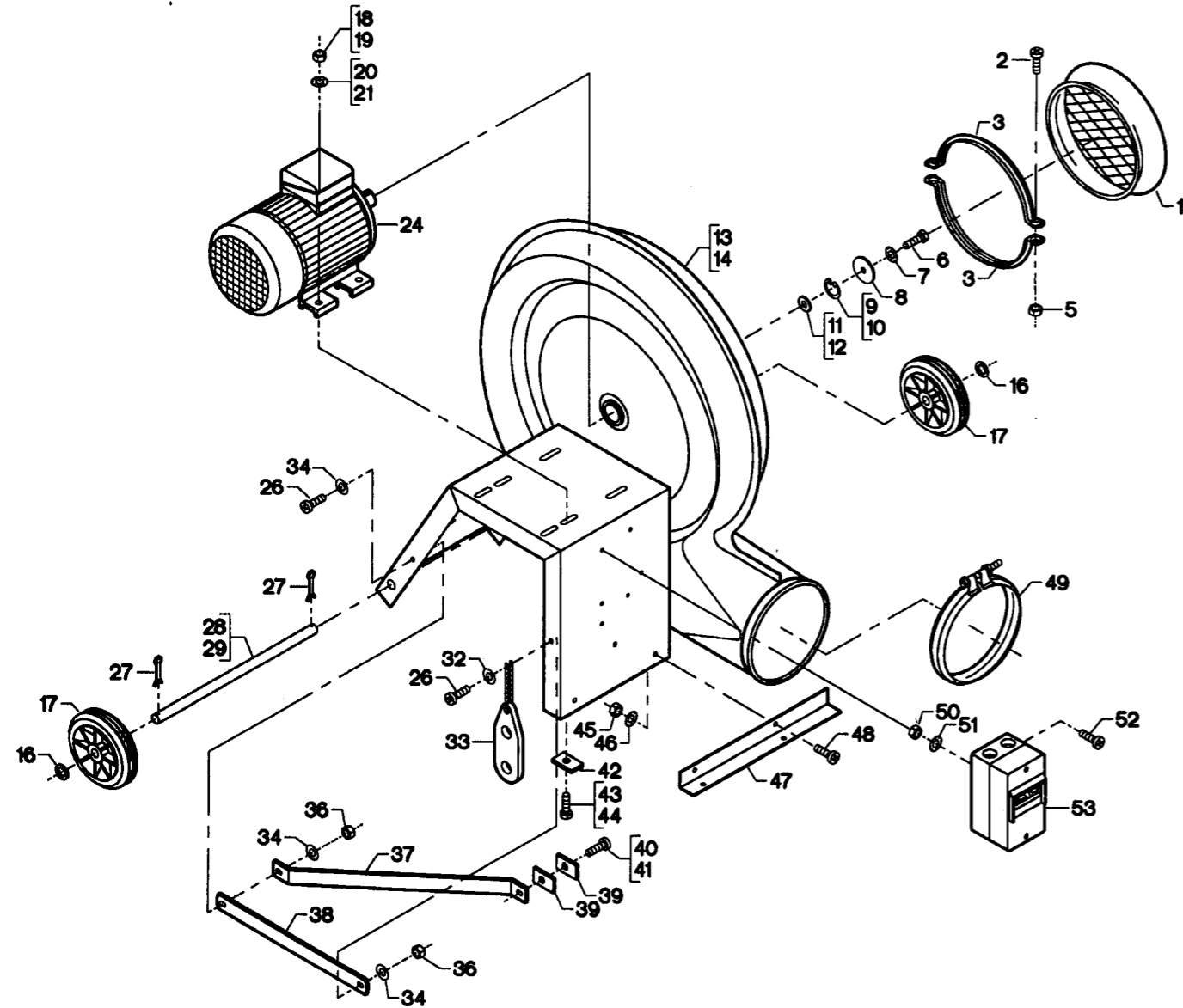
# **TRL 20/40/55/75**

## High pressure blowers



Spare parts list

# TRL 20 & TRL 20 1-phase



Spare parts list / TRL 20. Date: 08.2022

Fig.	Part no.	Pieces	Notes
1	121 000 726	1	
2	100 321 018	2	Torx screw M6 x 30 mm
3	121 000 727	2	
5	100 316 075	2	Flange nut M6
6	100 308 002	1	Set screw M8 x 25 mm
7	100 332 003	1	Star washer M8
8	121 000 021	1	
9	100 407 000	1	Circlip ø24 x 1.2 mm for TRL 20
10	100 407 001	1	Circlip ø28 x 1.2 mm for TRL 20 1-F
11	121 010 018	1	For TRL 20
12	121 000 027	1	For TRL 20 1-F
13	121 010 120	1	For TRL 20
14	121 010 036	1	For TRL 20 1-F
16	121 000 020	2	
17	100 412 000	2	Wheel JH 40/15 - 125/38
18	100 315 012	4	Nut M8 for TRL 20
19	100 315 013	4	Nut M10 for TRL 20 1-F
20	100 332 003	4	Star washer M8 for TRL 20
21	100 332 004	4	Star washer M10 for TRL 20 1-F
24	100 501 001	1	Motor 90S-2, 1.5 kW 54, for TRL 20
26	100 321 016	2	Torx screw M6 x 20 mm
27	100 333 002	2	Split pin
28	121 010 102	1	For TRL 20
29	121 014 008	1	For TRL 20 1-F
32	100 331 004	1	Flat washer M6
33	100 511 001	1	Unloading clamp
34	100 331 004	3	Flat washer M6
36	100 316 075	3	Flange nut M6
37	121 010 119	1	
38	121 010 118	1	
39	121 000 058	2	For TRL 20 1-F
40	100 321 016	1	Torx screw M6 x 20 mm for TRL 20
41	100 321 018	1	Torx screw M6 x 30 mm for TRL 20 1-F
42	121 000 058	4	For TRL 20
43	100 306 017	4	Set screw M8 x 30 mm for TRL 20
44	100 306 030	4	Set screw M10 x 30 mm for TRL 20 1-F
45	100 316 075	2	Nut M6
46	100 331 004	2	Flat washer M6
47	121 010 121	1	
48	100 321 015	2	Torx screw M6 x 20 mm
49	122 000 857	1	Bolt clamp OK160
50	100 315 004	2	Nut M4
51	100 332 000	2	Star washer M4
52	100 321 005	2	Crosshead screw M4 x 16 mm
53	100 503 009	1	Motor protection starter box, 2.5 - 4A

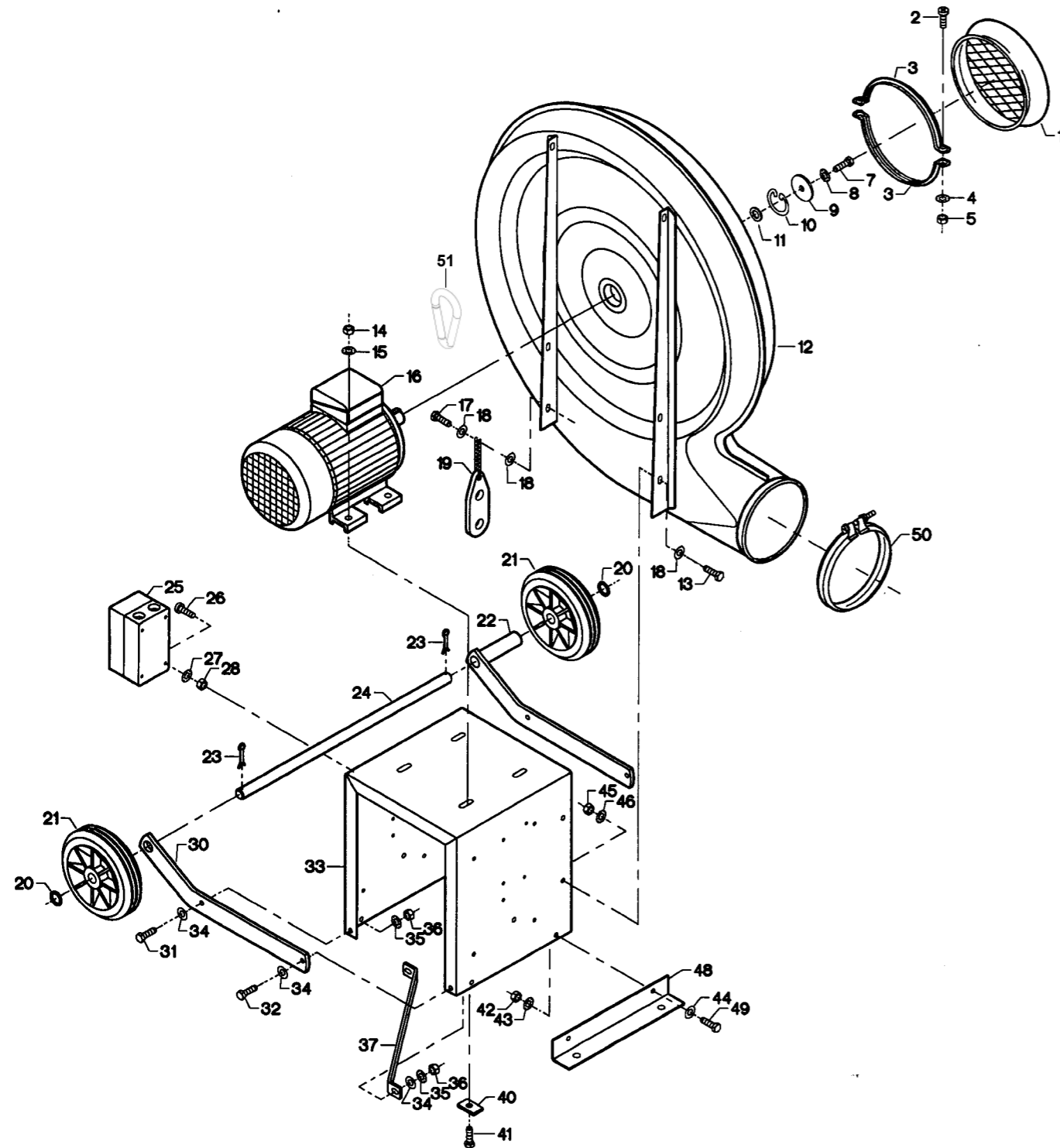


Fig.	Part no.	Pieces	Notes
1	121 000 726	1	
2	100 321 018	2	Torx screw M6 x 30 mm
3	121 000 727	2	
4	100 332 002	2	Star washer M6
5	100 316 075	2	Nut M6
7	100 306 030	1	Set screw M10 x 30 mm
8	100 332 004	1	Star washer M10
9	121 000 060	1	Washer ø52/ø11 x 3 mm
10	100 407 001	1	Circlip ø28 x 1.2 mm
11	121 000 027	1	
12	121 030 048	1	
13	100 306 014	3	Set screw M8 x 16 mm
14	100 315 013	4	Nut M10
15	100 332 004	4	Star washer M10
16	100 501 012	1	Motor 100L-2, 3kW 400V 50Hz
	100 501 166	1	Motor 100L-2, 3kW 230V 50Hz
17	100 306 015	1	Set screw M8 x 20 mm
18	100 331 005	5	Flat washer M8
19	100 511 001	1	Unloading clamp
20	121 080 041	2	
21	100 412 001	2	Wheel MA-EN 508 50/20-180/45
22	121 000 730	1	
23	100 333 002	2	Split pin
24	121 000 254	1	
25	100 503 360	1	Control box 3 x 400V / 50Hz, 6.3-10A, for TRL40
26	100 321 005	2	Torx screw M4 x 16 mm
27	100 332 000	2	Star washer M4
28	100 315 004	2	Nut M4
30	121 000 729	1	
31	100 306 015	2	Set screw M8 x 20 mm
32	100 308 002	2	Set screw M8 x 25 mm
33	121 030 047	1	
34	100 331 005	6	Flat washer M8
35	100 332 003	4	Star washer M8
36	100 315 012	4	Nut M8
37	121 000 728	1	
40	121 000 058	4	
41	100 308 037	4	Set screw M10 x 40 mm
42	100 315 012	2	Nut M8
43	100 332 003	2	Star washer M8
44	100 331 005	2	Flat washer M8
45	100 315 012	4	Nut M8
46	100 332 003	4	Star washer M8
48	121 000 731	1	
49	100 306 014	2	Set screw M8 x 16 mm
50	122 000 857	1	Bolt clamp OK160
51	100 420 260	1	Carabiner 5x50mm galvanized

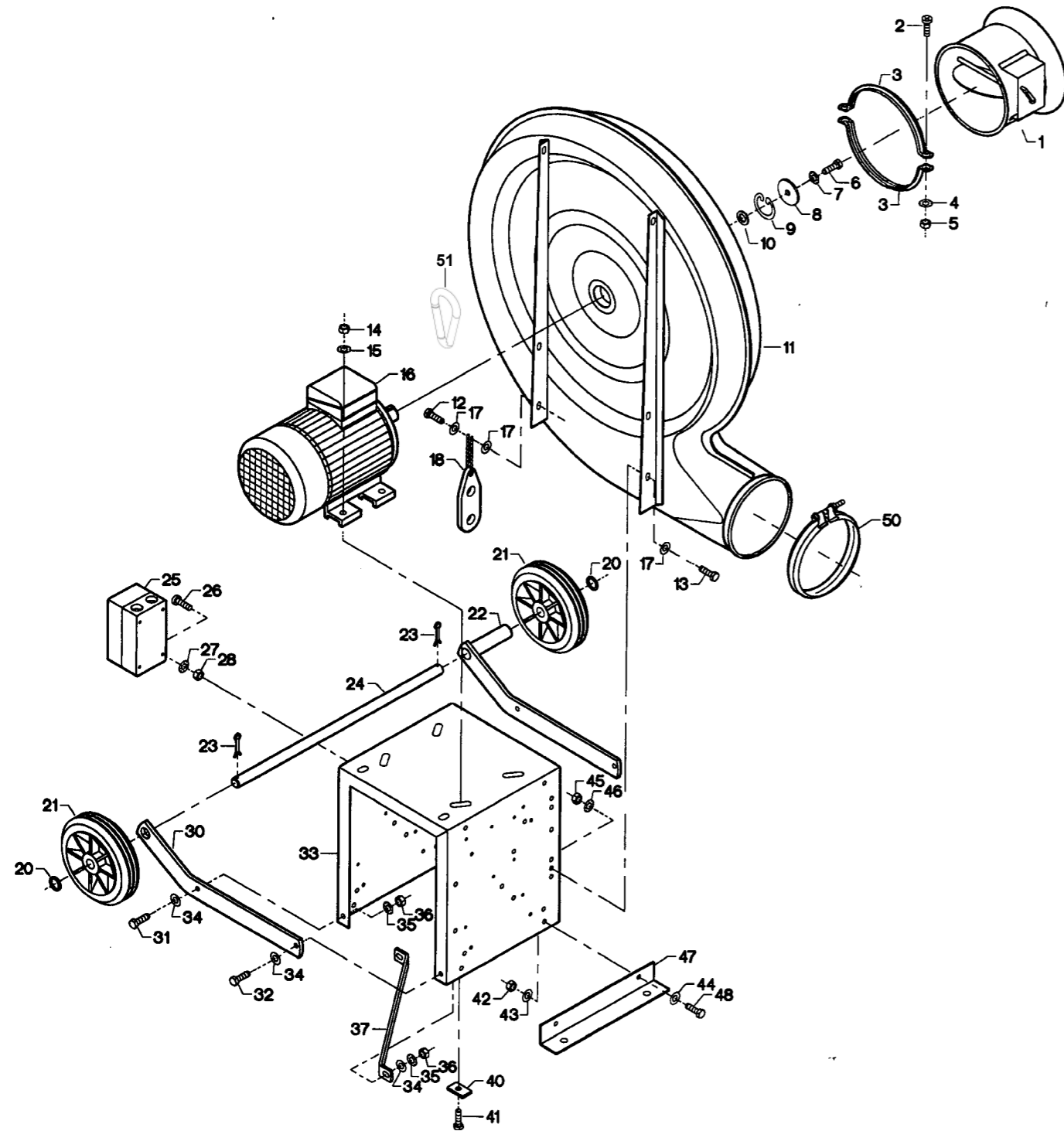


Fig.	Part no.	Pieces	Notes
1	121 040 037	1	
2	100 321 018	2	Torx screw M6 x 30 mm
3	121 000 727	2	
4	100 332 002	2	Star washer M6
5	100 316 075	2	Nut M6
6	100 306 030	1	Set screw M10 x 30 mm
7	100 332 004	1	Star washer M10
8	121 000 060	1	
9	100 407 001	1	Circlip ø28 x 1.2 mm
10	121 000 027	1	
11	121 000 735	1	
12	100 306 015	1	Set screw M8 x 20 mm
13	100 306 014	3	Set screw M8 x 15 mm
14	100 315 013	4	Nut M10
15	100 332 004	4	Star washer M10
16	100 501 013	1	Motor 112M2, 4.0 kW B3
17	100 501 167	1	Motor 112M2 230/400V 50 Hz, 4.0 kW B3
18	100 331 014	1	Flat washer M8
20	100 511 001	1	Unloading clamp
21	121 080 041	2	
22	100 412 001	2	Wheel MA-EN 508 50/20-180/45
23	121 000 730	1	
24	100 333 002	2	Split pin
25	121 000 254	1	
26	100 503 010	1	Motor protection starter box, 6.3-10A
27	100 321 005	2	Torx screw M4 x 16 mm
28	100 332 000	2	Star washer M4
30	100 315 004	2	Nut M4
31	121 000 729	1	
32	100 306 015	2	Set screw M8 x 20 mm
33	100 308 002	2	Set screw M8 x 25 mm
34	121 000 734	1	
35	100 331 005	6	Flat washer M8
36	100 332 003	4	Star washer M8
37	100 315 012	4	Nut M8
40	121 000 728	1	
41	121 000 058	4	
42	100 308 037	4	Set screw M10 x 40 mm
43	100 315 012	2	Nut M8
44	100 332 003	2	Star washer M8
45	100 331 005	2	Flat washer M8
46	100 315 012	4	Nut M8
47	100 332 003	4	Star washer M8
48	121 000 731	1	
50	100 306 014	2	Set screw M8 x 16 mm
51	122 000 857	1	Bolt clamp OK160
	100 420 260	1	Carabiner 5x50mm galvanized

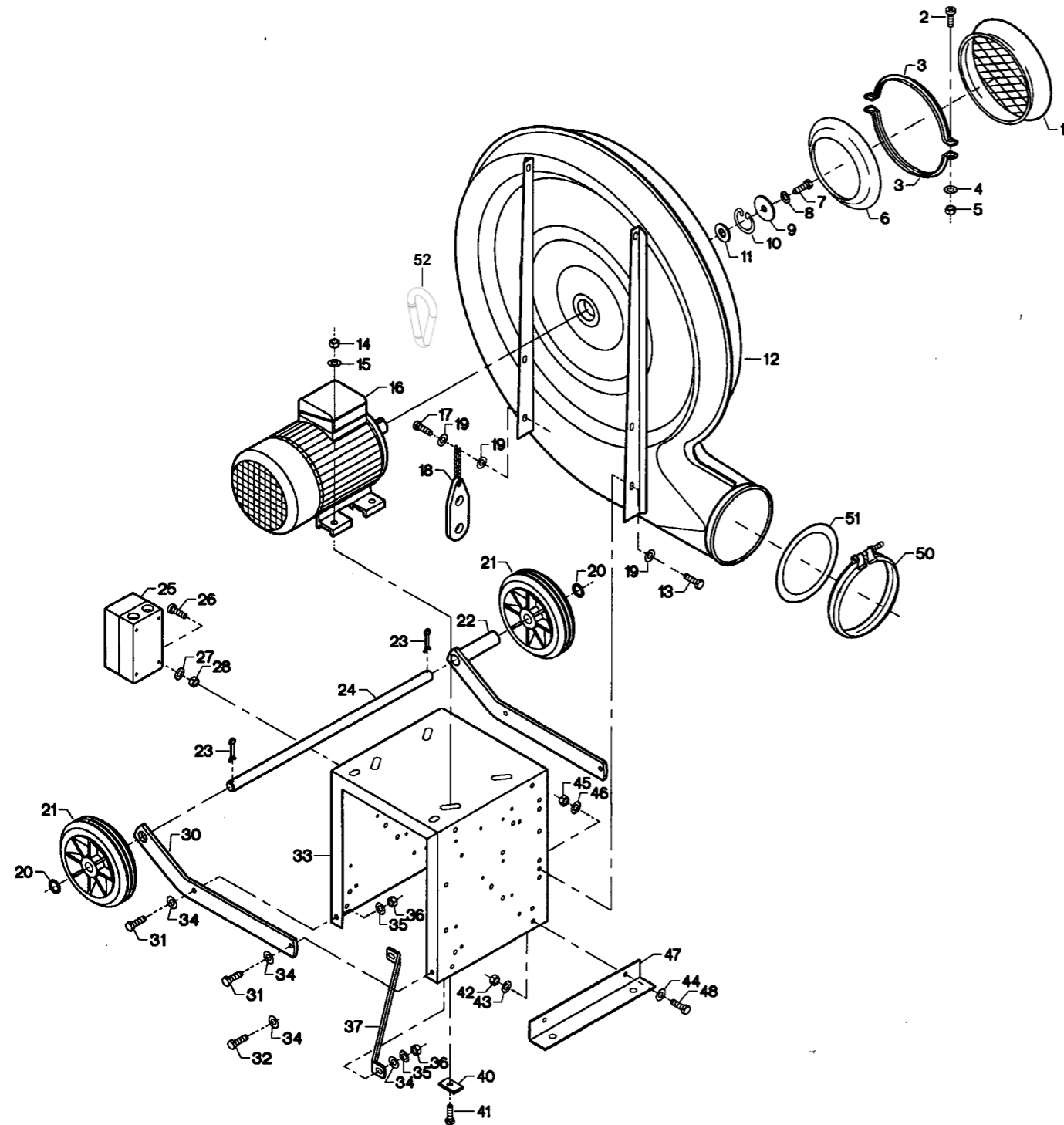
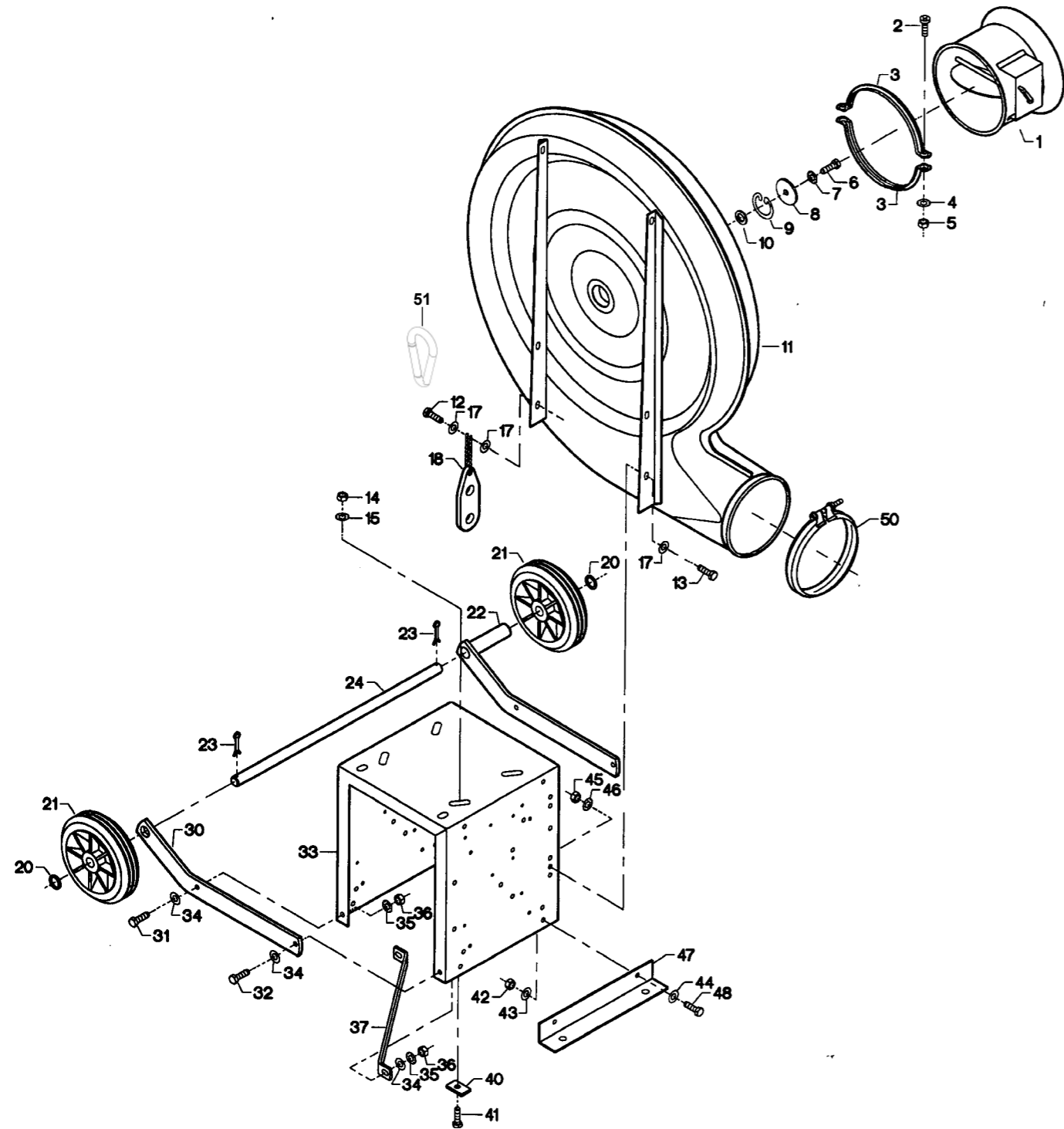


Fig.	Part no.	Pieces	Notes
1	121 000 726	1	
2	100 321 018	2	Torx screw M6 x 30 mm
3	121 000 727	2	
4	100 332 002	2	Star washer M6
5	100 316 075	2	Nut M6
6	121 060 039	1	
7	100 304 033	1	Set screw M12 x 35 mm
8	100 332 005	4	Star washer M12
9	121 000 071	1	
10	100 407 003	1	Circlip ø38 x 1.5 mm
11	121 000 070	1	
12	121 000 739	1	
13	100 306 014	3	Set screw M8 x 16 mm
14	100 315 013	4	Nut M10
15	100 332 004	4	Star washer M10
16	100 501 016	1	Motor 132S2, 5.5 kW B3
	100 501 060	1	Motor 132SX2, 7.5 kW B3
	100 501 064	1	Motor 132SX2, 7.5 kW B3 IE2
	100 501 169	1	Motor 132S2, 230/400V 5.5 kW B3
17	100 306 015	1	Set screw M8 x 20 mm
18	100 511 028	1	Unloading clamp
19	100 331 005	5	Flat washer M8
20	121 080 041	2	
21	100 412 001	2	Wheel MA-EN 508 50/20-180/45
22	121 000 730	1	
23	100 333 002	2	Split pin
24	121 000 254	1	
25	100 503 004	1	Motor protection starter box, 10-16A
26	100 321 005	2	Crosshead screw M4 x 15 mm
27	100 332 000	2	Star washer M4
28	100 315 004	2	Nut M4
30	121 000 729	1	
31	100 306 015	2	Set screw M8 x 20 mm
32	100 308 002	2	Set screw M8 x 25 mm
33	121 000 734	1	
34	100 331 005	6	Flat washer M8
35	100 332 003	4	Star washer M8
36	100 315 012	4	Nut M8
37	121 000 728	1	
40	121 000 058	4	
41	100 308 037	4	Set screw M10 x 40 mm
42	100 315 012	2	Nut M8
43	100 332 003	2	Star washer M8
44	100 331 005	4	Flat washer M8
45	100 315 012	4	Nut M8
46	100 332 003	4	Star washer M8
47	121 000 731	1	
48	100 306 014	2	Set screw M8 x 16 mm
50	122 000 857	1	Bolt clamp OK160
51	121 061 014	1	
52	100 420 260	1	Carabiner 5x50mm galvanized

# TRL 75 w. air regulation



Spare parts list / TRL 75. Date: 08.2022

Fig.	Part no.	Pieces	Notes
1	121 040 037	1	
2	100 321 018	2	Torx screw M6 x 30 mm
3	121 000 727	2	
4	100 332 002	2	Star washer M6
5	100 316 075	2	Nut M6
6	100 304 033	1	Set screw M12 x 35 mm
7	100 332 005	4	Star washer M12
8	121 000 071	1	
9	100 407 003	1	Circlip ø38 x 1.5 mm
10	121 000 070	1	
11	121 000 739	1	
12	100 306 015	1	Set screw M8 x 20 mm
13	100 306 014	3	Set screw M8 x 16 mm
14	100 315 013	4	Nut M10
15	100 332 004	4	Star washer M10
17	100 331 005	5	Flat washer M8
18	100 511 028	1	Unloading clamp
20	121 080 041	2	
21	100 412 001	2	Wheel MA-EN 508 50/20-180/45
22	121 000 730	1	
23	100 333 002	2	Split pin
24	121 000 254	1	
30	121 000 729	1	
31	100 306 015	2	Set screw M8 x 20 mm
32	100 308 002	2	Set screw M8 x 25 mm
33	121 000 734	1	
34	100 331 005	6	Flat washer M8
35	100 332 003	4	Star washer M8
36	100 315 012	4	Nut M8
37	121 000 728	1	
40	121 000 058	4	Set screw M10 x 40 mm
41	100 308 037	4	Nut M8
42	100 315 012	2	Nut M8
43	100 332 003	2	Star washer M8
44	100 331 005	4	Flat washer M8
45	100 315 012	4	Nut M8
46	100 332 003	4	Star washer M8
47	121 000 731	1	
48	100 306 014	2	Set screw M8 x 16 mm
50	122 000 857	1	Bolt clamp OK160
51	100 420 260	1	Carabiner 5x50mm galvanized

**Kongskilde Industries A/S**

Skælskørvej 64

DK - 4180 Sorø

Tel. +45 72 17 60 00

[mail@kongskilde-industries.com](mailto:mail@kongskilde-industries.com)

[www.kongskilde-industries.com](http://www.kongskilde-industries.com)