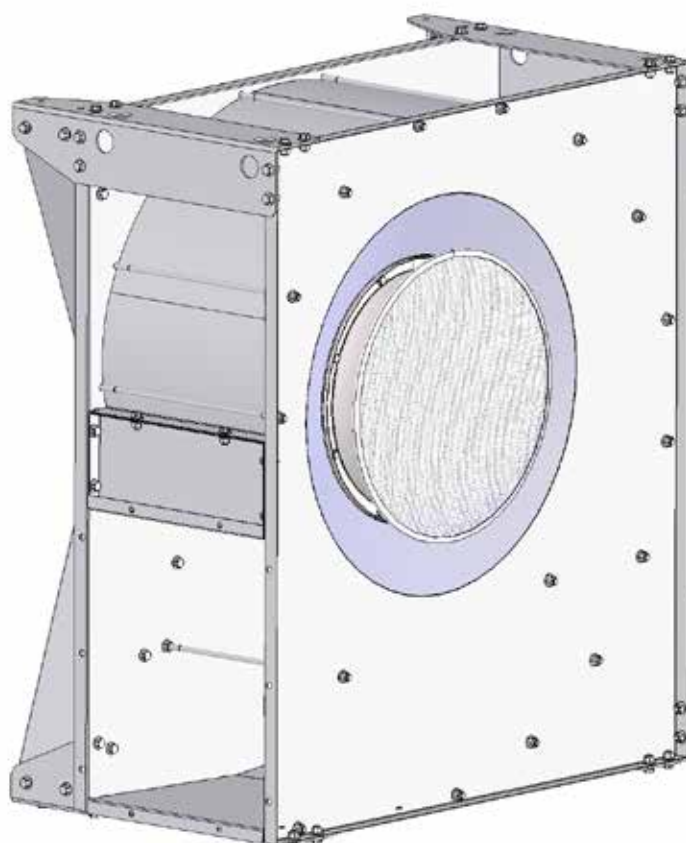


HVL galvanized High volume fans



Spare parts list

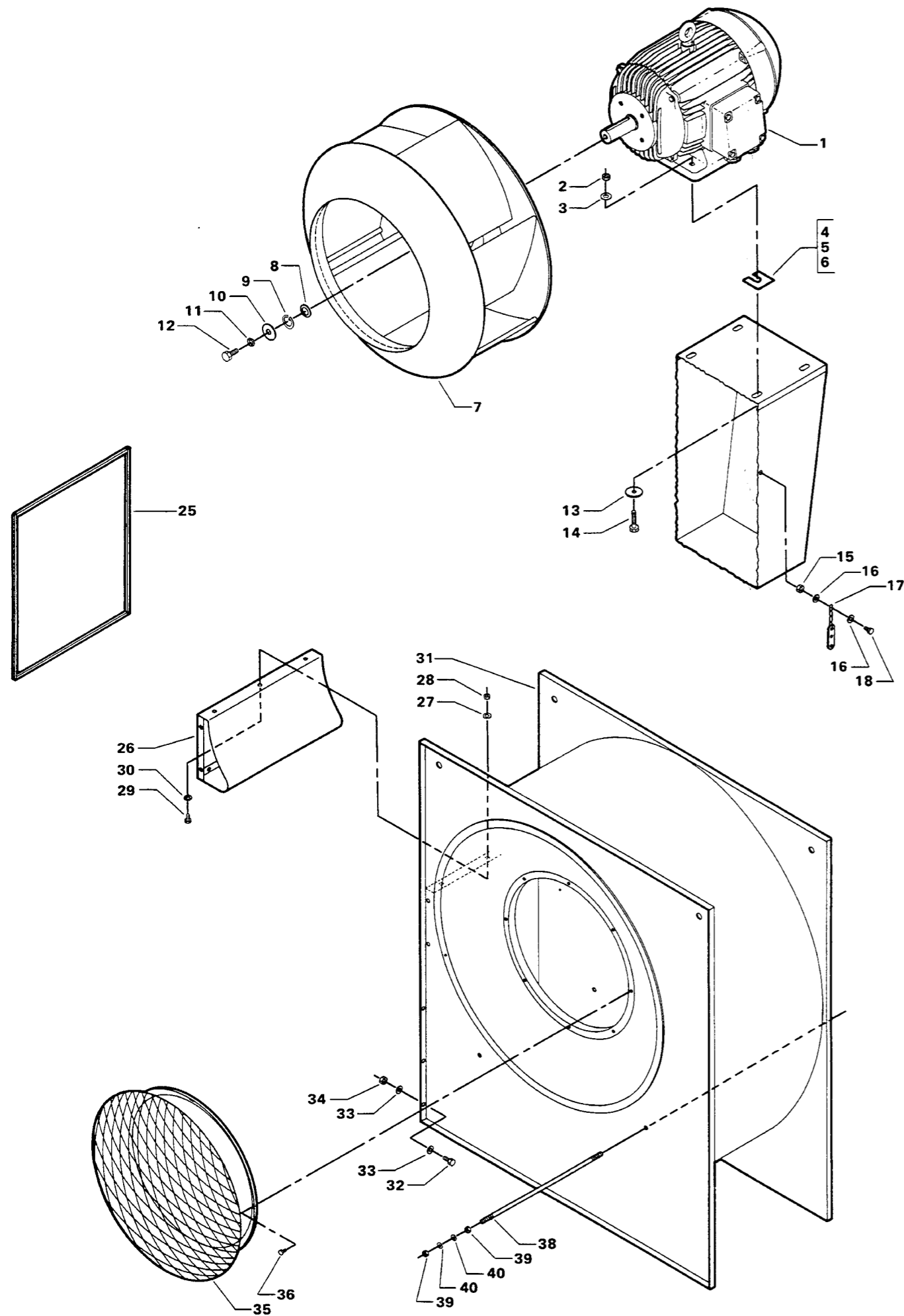


Fig.	Part no.	Pieces	Notes
1	100 501 015	1	Motor 160M4-B3-11.0 kW
2	100 315 001	4	Nut M12
3	100 331 007	4	Flat washer M12
4	113 034 034	4	1 mm
5	113 034 035	4	2 mm
6	113 034 036	4	3 mm
7	113 034 018	1	
8	121 080 040	1	Washer $\varnothing 25.5/41.6 \times 3$ mm
9	100 407 004	1	Circlip $\varnothing 42 \times 1.75$ mm
10	121 000 251	1	Washer $\varnothing 17/53 \times 3$ mm
11	100 332 006	1	Star washer M16
12	100 304 045	1	Set screw M16 x 45 mm
13	121 000 071	4	Washer $\varnothing 13/52 \times 3$ mm
14	100 304 035	4	Set screw M12 x 45 mm
15	100 315 012	1	Nut M8
16	100 331 005	2	Flat washer M8
17	100 511 000	1	
18	100 306 014	1	Set screw M8 x 15 mm
25	100 202 011	1	8 x 8 mm. Indicate length 2.5 m when ordering.
26	113 034 119	1	
27	100 332 003	7	Star washer M8
28	100 315 012	7	Nut M8
29	100 306 014	7	Set screw M8 x 15 mm
30	100 331 005	7	Flat washer M8
31	113 034 117	1	
32	100 306 014	12	Set screw M8 x 15 mm
33	100 331 005	24	Flat washer M8
34	100 315 012	12	Nut M8
35	113 034 121	1	
36	100 306 014	8	Set screw M8 x 15 mm
38	113 034 097	2	Nut M10
39	100 315 013	8	
40	100 331 006	8	Flat washer M10

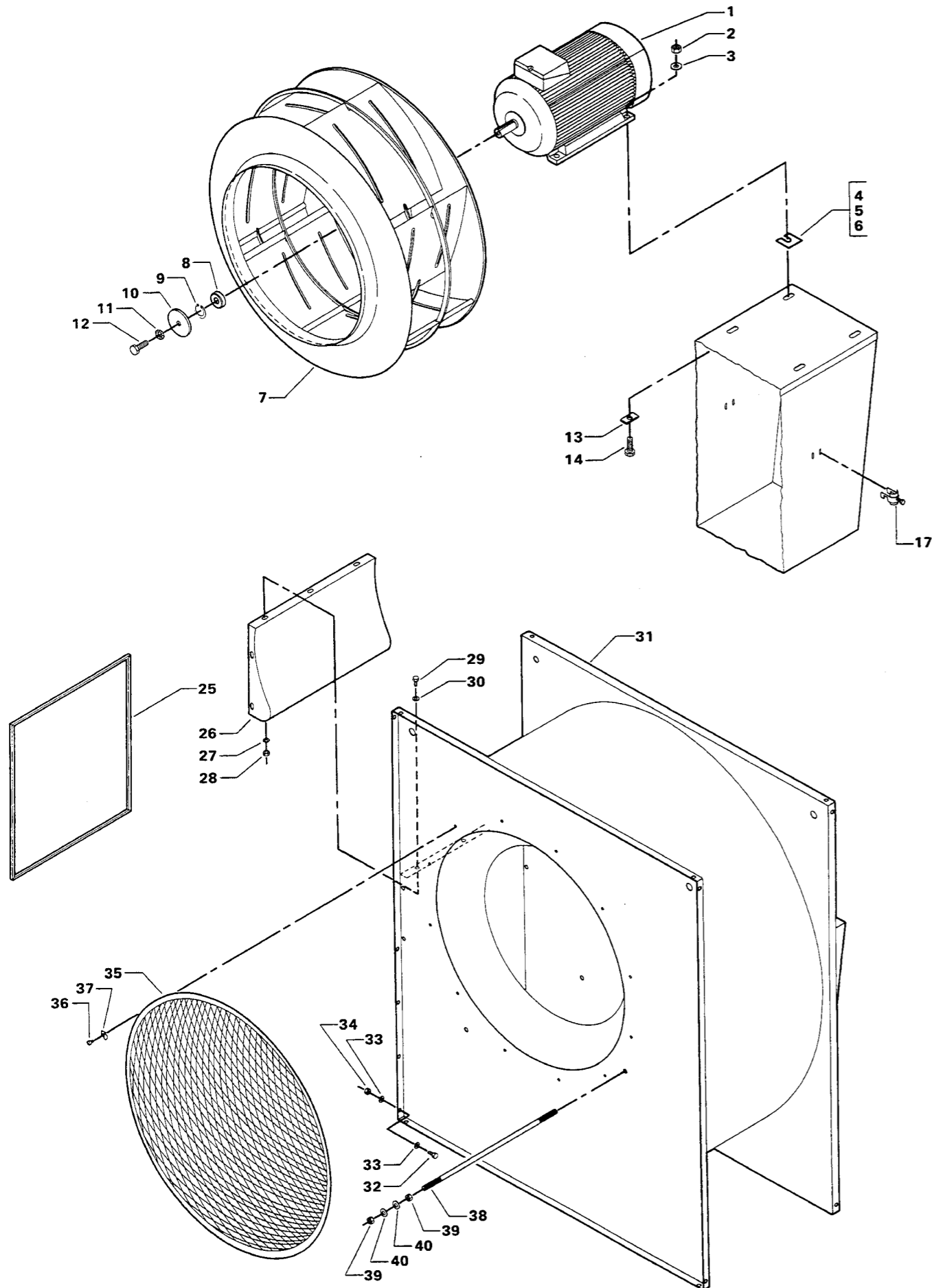


Fig.	Part no.	Pieces	Notes
1	100 501 070	1	Motor K21R-180M4-B3-18.5 kW
2	100 315 036	4	Nut M14
3	100 331 019	4	Flat washer M14
4	113 034 034	4	1 mm
5	113 034 035	4	2 mm
6	113 034 036	4	3 mm
7	113 040 001	1	
8	113 040 040	1	Washer $\varnothing 17/47.8 \times 15$ mm
9	100 407 005	1	Circlip $\varnothing 48 \times 1.75$ mm
10	113 040 012	1	Washer $\varnothing 17/85 \times 5$ mm
11	100 332 006	1	Star washer M16
12	100 306 057	1	Set screw M16 x 50 mm
13	113 000 090	4	
14	100 308 014	4	Set screw M14 x 50 mm
17	100 511 003	1	
25	100 202 011		8 x 8 mm. Indicate length 2.5 m when ordering.
26	113 040 045	1	
27	100 332 004	7	Star washer M10
28	100 315 013	7	Nut M10
29	100 308 004	7	Set screw M10 x 20 mm
30	100 331 006	7	Flat washer M10
31	113 040 042	1	
32	100 306 014	14	Set screw M8 x 15 mm
33	100 331 005	28	Flat washer M8
34	100 315 012	14	Nut M8
35	113 040 045	1	
36	100 321 014	12	Posi-drive screw M6 x 12 mm
37	113 000 084	12	
38	113 040 027	2	
39	100 315 016	8	Nut M12
40	100 331 007	8	Flat washer M12

Kongskilde Industries A/S

Skælskørvej 64

DK - 4180 Sorø

Tel. +45 72 17 60 00

mail@kongskilde-industries.com

www.kongskilde-industries.com