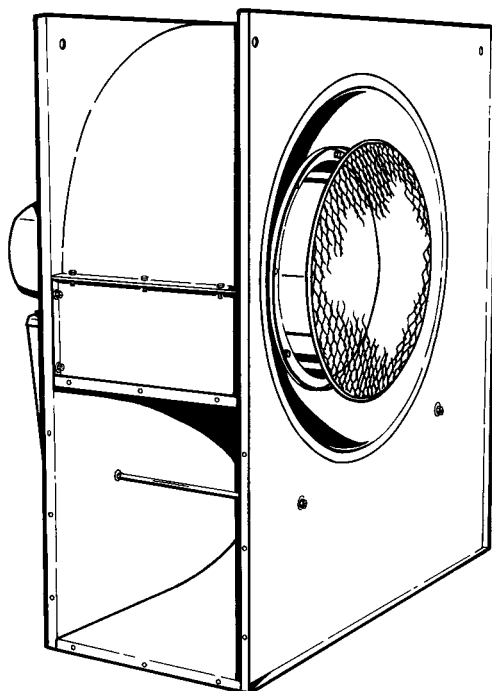


HVL 55 Special

High volume fan



Spare parts list

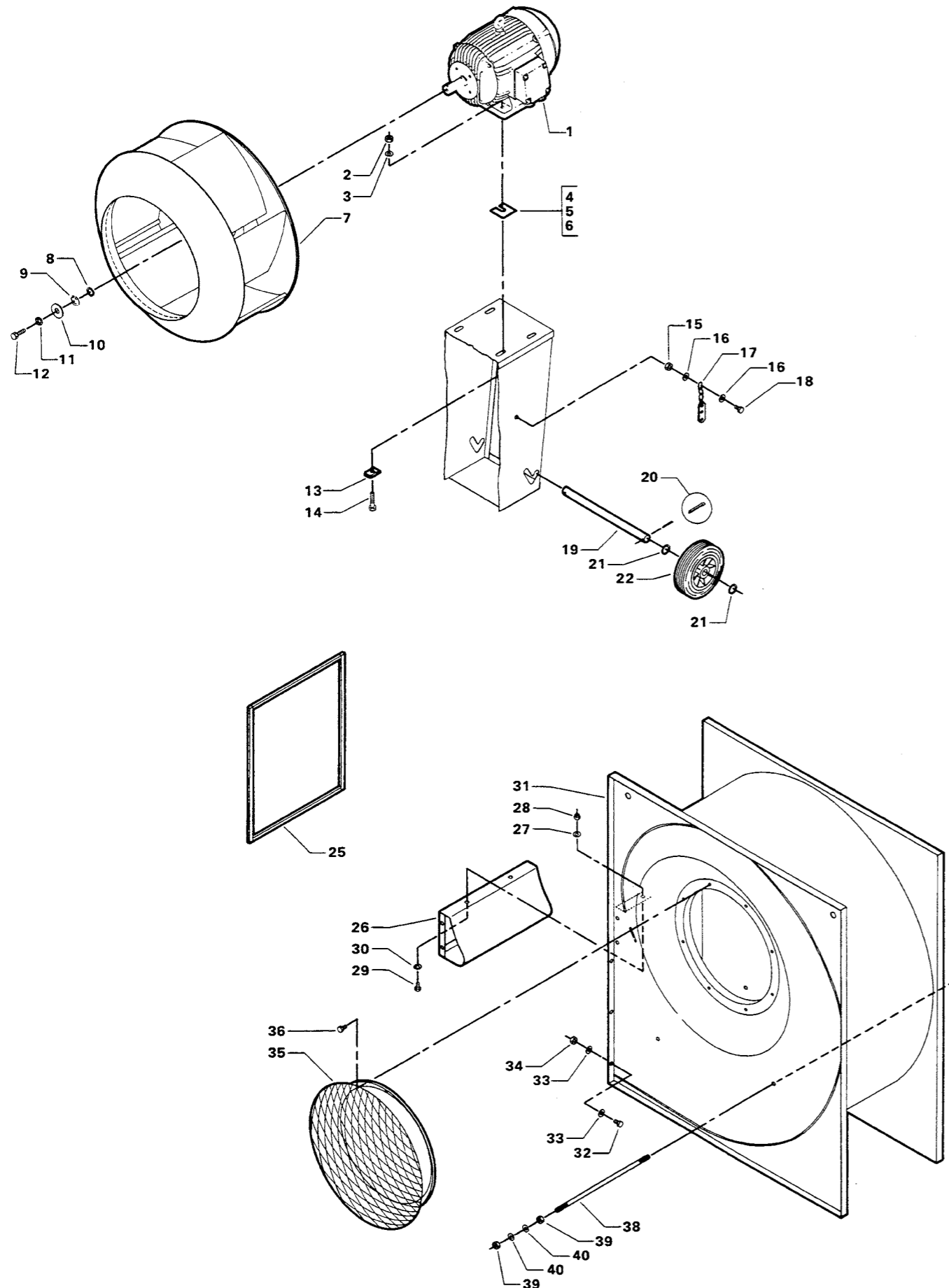


Fig.	Part no.	Pieces	Notes
1	100 501 010	1	Motor 112M4-B3-4.0 kW
2	100 315 013	4	Nut M10
3	100 331 006	4	Flat washer M10
4	113 034 034	4	1 mm
5	113 034 035	4	2 mm
6	113 034 036	4	3 mm
7	113 027 121	1	
8	121 000 027	1	Washer $\varnothing 17/27.8 \times 2$ mm
9	100 407 001	1	Circlip $\varnothing 28 \times 1.2$ mm
10	121 000 060	1	Washer $11/53 \times 3$ mm
11	100 332 004	1	Star washer M10
12	100 306 030	1	Set screw M10 x 30 mm
13	121 000 058	4	
14	100 304 027	4	Set screw M10 x 50 mm
15	100 315 012	1	Nut M8
16	100 331 005	2	Flat washer M8
17	100 511 001	1	
18	100 306 014	1	Set screw M8 x 15 mm
19	113 027 026	1	
20	100 333 002	2	Split pin $\varnothing 3 \times 30$ mm
21	121 080 041	4	Flat washer $\varnothing 21/28 \times 2$ mm
22	100 412 001	2	
25	100 202 011	1	8 x 8 mm. Indicate length 2.5 m when ordering.
26	113 027 123	1	
27	100 332 003	6	Star washer M8
28	100 315 012	6	Nut M8
29	100 306 014	6	Set screw M8 x 15 mm
30	100 331 005	6	Flat washer M8
31	113 027 120	1	
32	100 306 014	10	Set screw M8 x 15 mm
33	100 331 005	20	Flat washer M8
34	100 315 012	10	Nut M8
35	113 027 122	1	
36	100 306 014	8	Set screw M8 x 15 mm
38	113 031 156	2	
39	100 315 013	8	Nut M10
40	100 331 006	8	Flat washer M10

Kongskilde Industries A/S

Skælskørvej 64

DK - 4180 Sorø

Tel. +45 72 17 60 00

mail@kongskilde-industries.com

www.kongskilde-industries.com