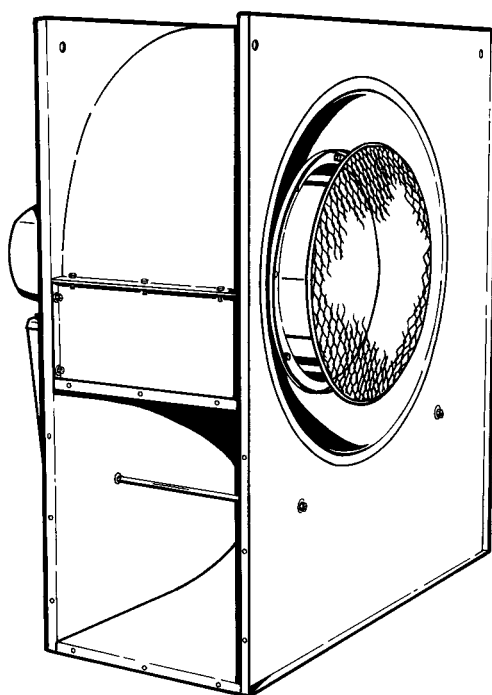


HVL

High volume fans



Spare parts list

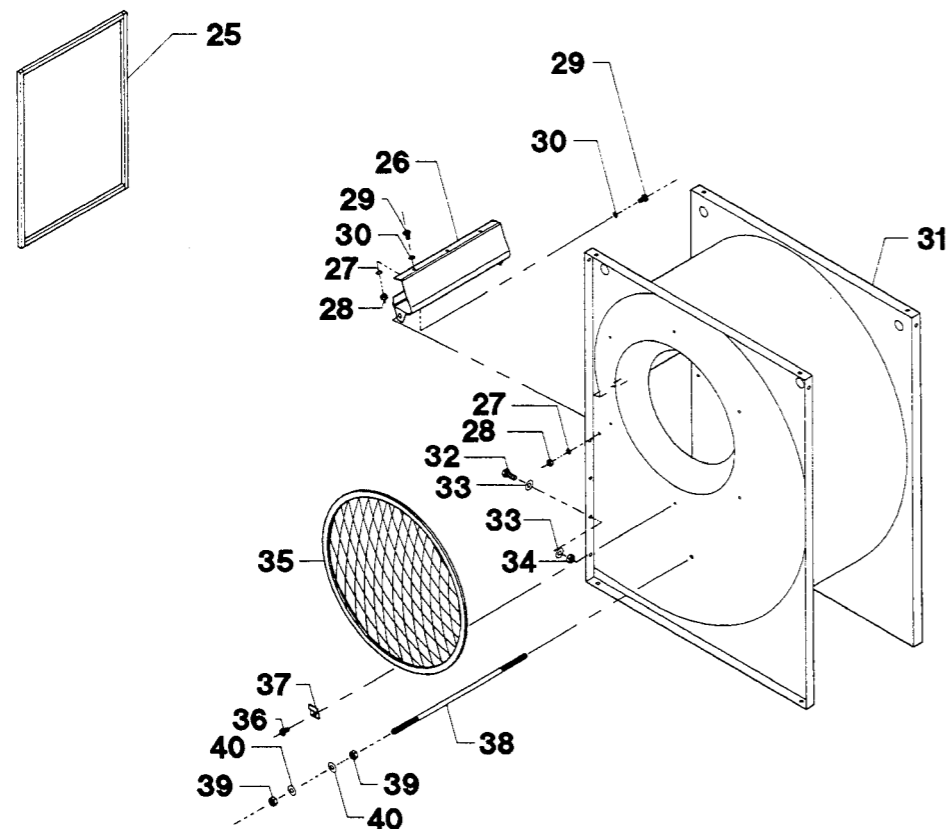
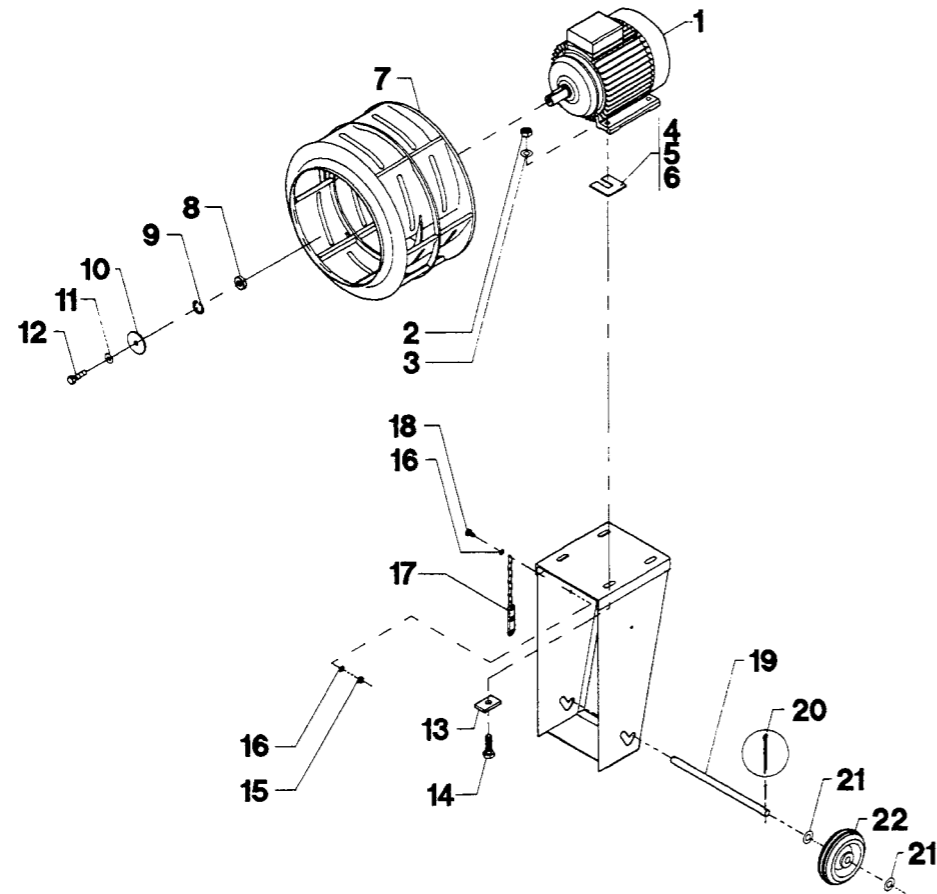


Fig.	Part no.	Pieces	Notes
1	100 501 069	1	Motor 90L2-B3-2.2 kW
2	100 315 013	4	Nut M10
3	100 331 006	4	Flat washer M10
4	113 034 034	4	1 mm
5	113 034 035	4	2 mm
6	113 034 036	4	3 mm
7	113 010 010	1	
8	113 010 075	1	Washer ø9/23.8 x 7 mm
9	100 407 000	1	Circlip ø24 x 1.2 mm
10	121 000 021	1	Washer ø9/42 x 3 mm
11	100 332 003	1	Star washer M8
12	100 306 017	1	Set screw M8 x 30 mm
13	121 000 058	4	
14	100 304 024	4	Set screw M10 x 35 mm
15	100 315 028	1	Nut M6
16	100 331 004	2	Flat washer M6
17	100 511 001	1	
18	100 321 014	1	Posi-drive screw M6 x 12 mm
19	113 010 041	1	
20	100 333 002	2	Split pin ø3 x 30 mm
21	100 331 008	4	Flat washer M16
22	100 412 000	2	
25	100 202 011	1	8 x 8 mm. Indicate length 2.5 m when ordering.
26	113 010 031	1	
27	100 332 002	5	Star washer M6
28	100 315 028	5	Nut M6
29	100 321 014	5	Posi-drive screw M6 x 12 mm
30	100 331 004	5	Flat washer M6
31	113 010 020	1	
32	100 306 014	14	Set screw M8 x 15 mm
33	100 331 005	28	Flat washer M8
34	100 315 012	14	Nut M8
35	113 010 033	1	
36	100 321 014	6	Posi-drive screw M6 x 12 mm
37	113 000 084	6	
38	113 010 030	1	
39	100 315 012	4	Nut M8
40	100 331 005	4	Flat washer M8

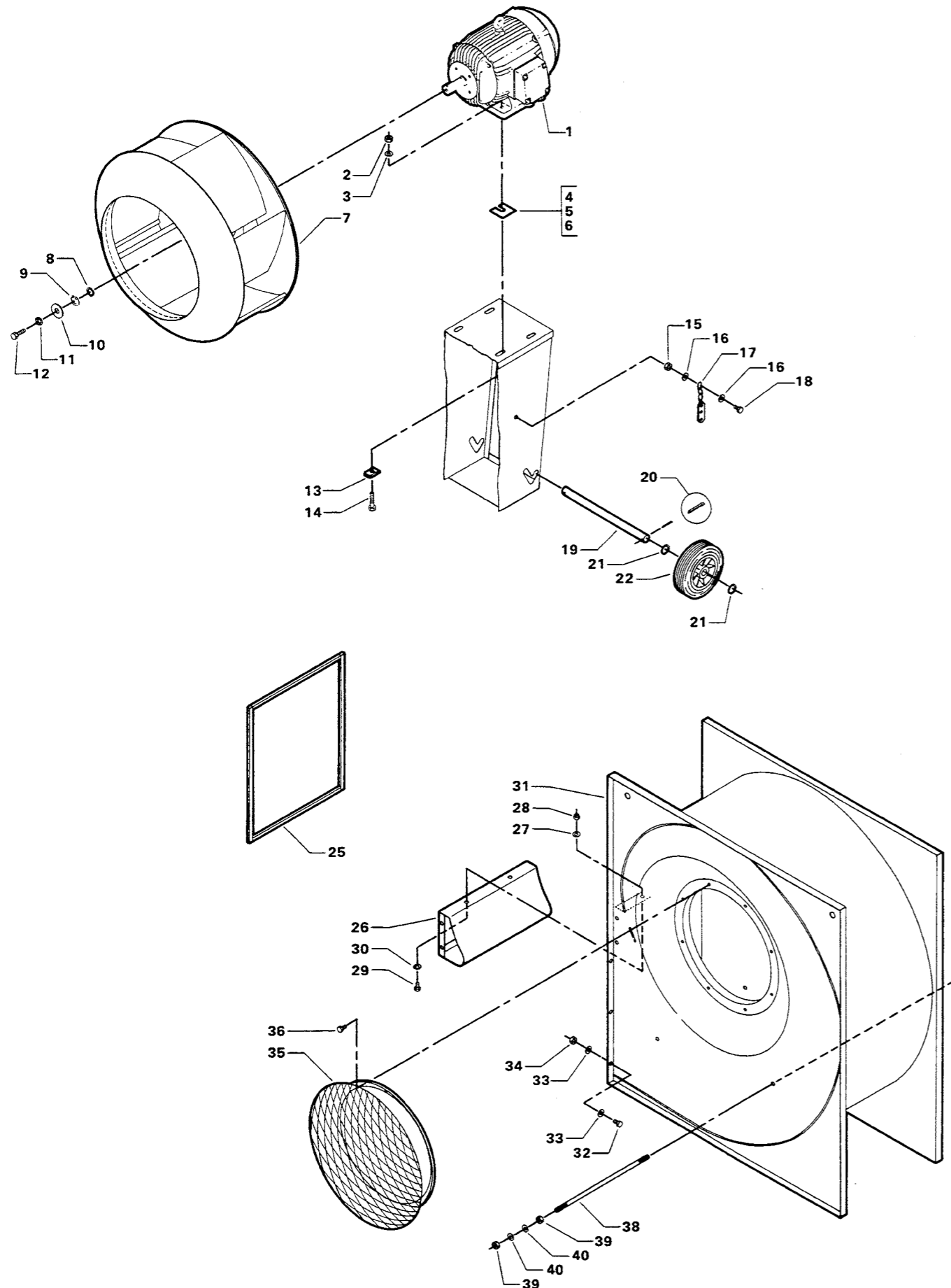


Fig.	Part no.	Pieces	Notes
1	100 501 010	1	Motor 112M4-B3-4.0 kW
2	100 315 013	4	Nut M10
3	100 331 006	4	Flat washer M10
4	113 034 034	4	1 mm
5	113 034 035	4	2 mm
6	113 034 036	4	3 mm
7	113 027 014	1	
8	121 000 027	1	Washer $\phi 17/27.8 \times 2$ mm
9	100 407 001	1	Circlip $\phi 28 \times 1.2$ mm
10	121 000 060	1	Washer $11/53 \times 3$ mm
11	100 332 004	1	Star washer M10
12	100 304 023	1	Set screw M10 x 30 mm
13	121 000 058	4	
14	100 304 027	4	Set screw M10 x 50 mm
15	100 315 012	1	Nut M8
16	100 331 005	2	Flat washer M8
17	100 511 001	1	
18	100 306 014	1	Set screw M8 x 15 mm
19	113 027 026	1	
20	100 333 002	2	Split pin $\phi 3 \times 30$ mm
21	121 080 041	4	Flat washer $\phi 21/28 \times 2$ mm
22	100 412 001	2	
25	100 202 011	1	8 x 8 mm. Indicate length 2.5 m when ordering.
26	113 027 053	1	
27	100 332 003	6	Star washer M8
28	100 315 012	6	Nut M8
29	100 306 014	6	Set screw M8 x 15 mm
30	100 331 005	6	Flat washer M8
31	113 027 048	1	
32	100 306 014	10	Set screw M8 x 15 mm
33	100 331 005	20	Flat washer M8
34	100 315 012	10	Nut M8
35	113 027 019	1	
36	100 306 014	8	Set screw M8 x 15 mm
38	113 031 156	2	
39	100 315 013	8	Nut M10
40	100 331 006	8	Flat washer M10

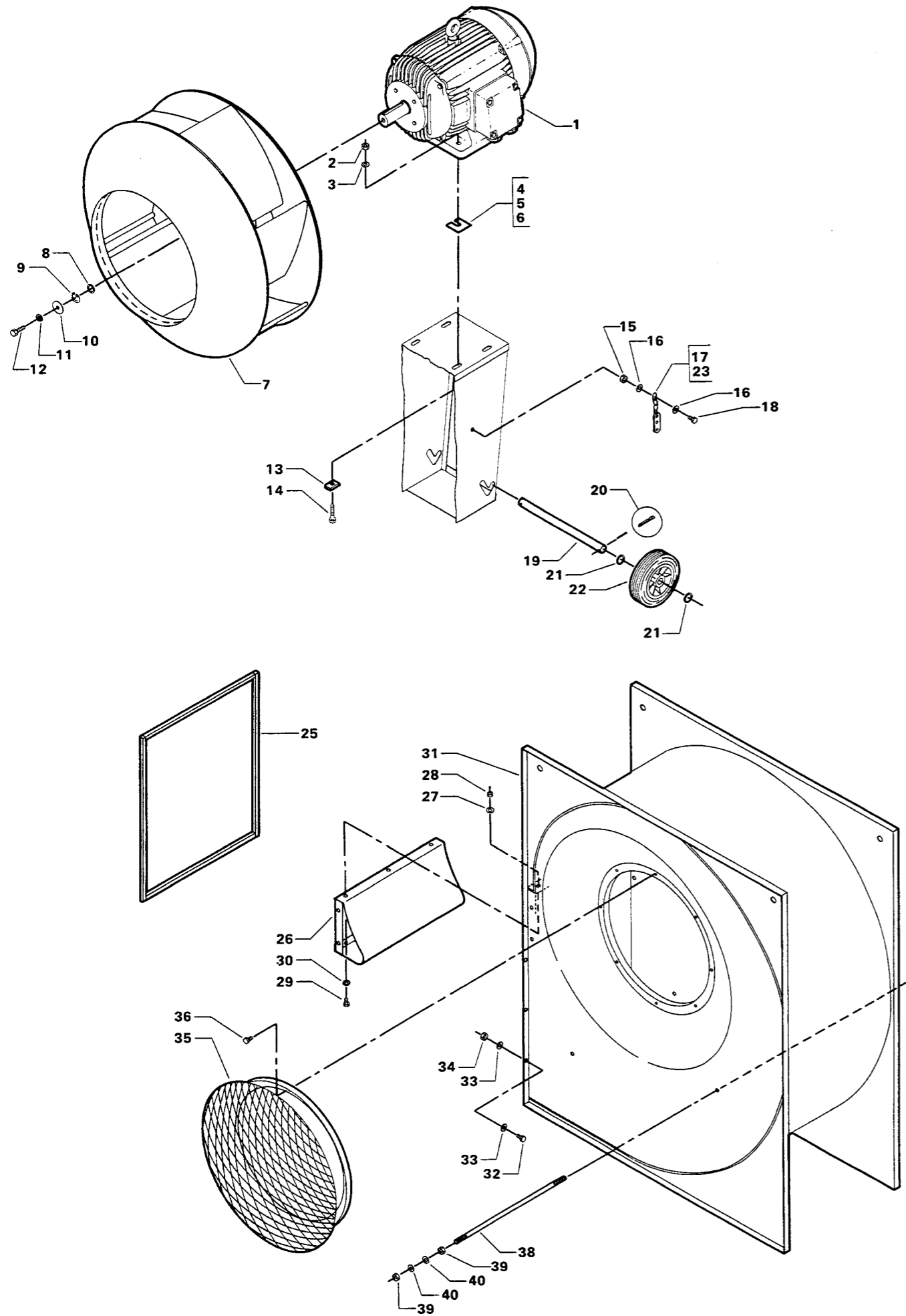


Fig.	Part no.	Pieces	Notes
1	100 501 000	1	Motor 132M4-B3-7.5 kW
2	100 315 013	4	Nut M10
3	100 331 006	4	Flat washer M10
4	113 034 034	4	1 mm
5	113 034 035	4	2 mm
6	113 034 036	4	3 mm
7	113 031 050	1	
8	121 000 070	1	Washer $\varnothing 17/37.6 \times 3$ mm
9	100 407 003	1	Circlip $\varnothing 38 \times 1.5$ mm
10	121 000 071	1	Washer $13/52 \times 3$ mm
11	100 332 005	1	Star washer M12
12	100 304 033	1	Set screw M12 x 35 mm
13	121 000 058	4	
14	100 304 027	4	Set screw M10 x 50 mm
15	100 315 012	1	Nut M8
16	100 331 005	2	Flat washer M8
17	100 511 028	1	
18	100 306 014	1	Set screw M8 x 15 mm
19	113 031 158	1	
20	100 333 002	2	Split pin $\varnothing 3 \times 30$ mm
21	121 080 041	4	Flat washer $\varnothing 21/28 \times 2$ mm
22	100 412 001	2	
23	100 511 000	1	
25	100 202 011	1	8 x 8 mm. Indicate length 2.5 m when ordering.
26	113 031 064	1	
27	100 332 003	7	Star washer M8
28	100 315 012	7	Nut M8
29	100 306 014	7	Set screw M8 x 15 mm
30	100 331 005	7	Flat washer M8
31	113 031 054	1	
32	100 306 014	12	Set screw M8 x 15 mm
33	100 331 005	24	Flat washer M8
34	100 315 012	12	Nut M8
35	113 031 065	1	
36	100 306 014	8	Set screw M8 x 15 mm
38	113 031 157	2	
39	100 315 013	8	Nut M10
40	100 331 006	8	Flat washer M10

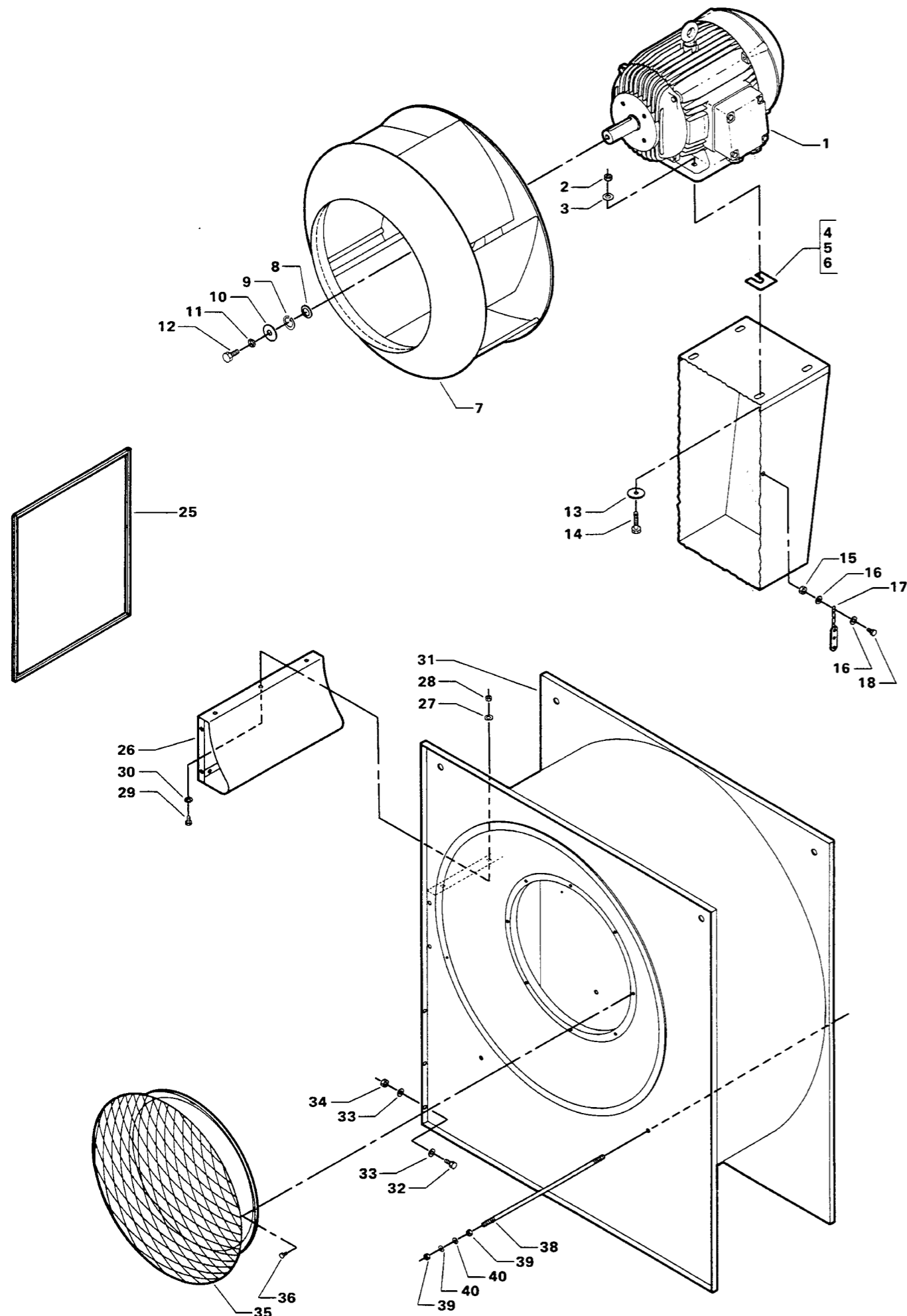


Fig.	Part no.	Pieces	Notes
1	100 501 014	1	Motor 160M4-B3-11.0 kW
2	100 315 001	4	Nut M12
3	100 331 007	4	Flat washer M12
4	113 034 034	4	1 mm
5	113 034 035	4	2 mm
6	113 034 036	4	3 mm
7	113 034 018	1	
8	121 080 040	1	Washer $\varnothing 25.5/41.6 \times 3$ mm
9	100 407 004	1	Circlip $\varnothing 42 \times 1.75$ mm
10	121 000 251	1	Washer $\varnothing 17/53 \times 3$ mm
11	100 332 006	1	Star washer M16
12	100 304 045	1	Set screw M16 x 45 mm
13	121 000 071	4	Washer $\varnothing 13/52 \times 3$ mm
14	100 304 035	4	Set screw M12 x 45 mm
15	100 315 012	1	Nut M8
16	100 331 005	2	Flat washer M8
17	100 511 000	1	
18	100 306 014	1	Set screw M8 x 15 mm
25	100 202 011	1	8 x 8 mm. Indicate length 2.5 m when ordering.
26	113 034 041	1	
27	100 332 003	7	Star washer M8
28	100 315 012	7	Nut M8
29	100 306 014	7	Set screw M8 x 15 mm
30	100 331 005	7	Flat washer M8
31	113 034 048	1	
32	100 306 014	12	Set screw M8 x 15 mm
33	100 331 005	24	Flat washer M8
34	100 315 012	12	Nut M8
35	113 034 014	1	
36	100 306 014	8	Set screw M8 x 15 mm
38	113 034 097	2	Nut M10
39	100 315 013	8	
40	100 331 006	8	Flat washer M10

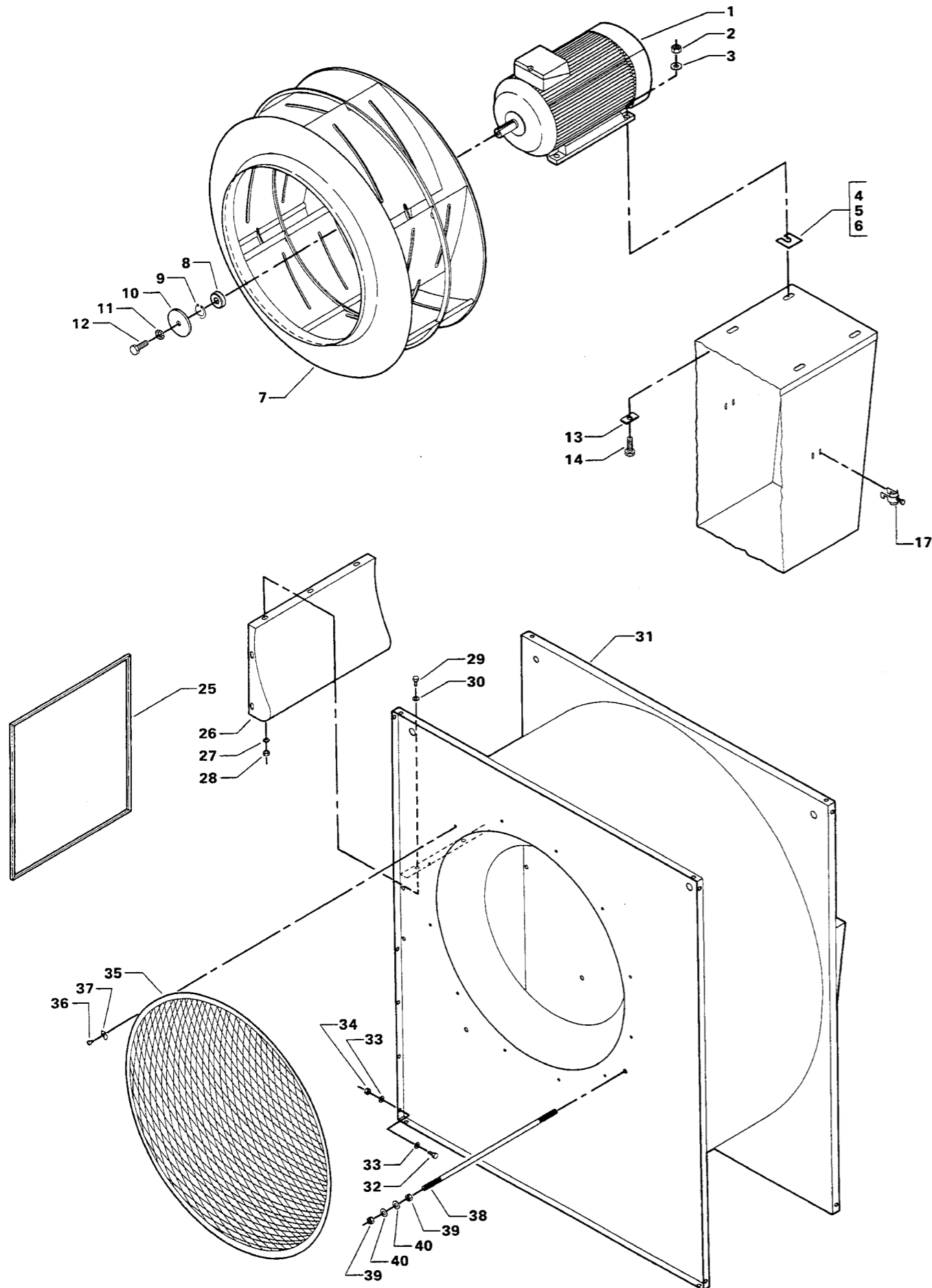


Fig.	Part no.	Pieces	Notes
1	100 501 070	1	Motor K21R-180M4-B3-18.5 kW
2	100 315 036	4	Nut M14
3	100 331 019	4	Flat washer M14
4	113 034 034	4	1 mm
5	113 034 035	4	2 mm
6	113 034 036	4	3 mm
7	113 040 001	1	
8	113 040 040	1	Washer $\varnothing 17/47.8 \times 15$ mm
9	100 407 005	1	Circlip $\varnothing 48 \times 1.75$ mm
10	113 040 012	1	Washer $\varnothing 17/85 \times 5$ mm
11	100 332 006	1	Star washer M16
12	100 306 057	1	Set screw M16 x 50 mm
13	113 000 090	4	
14	100 308 014	4	Set screw M14 x 50 mm
17	100 511 003	1	
25	100 202 011	1	8 x 8 mm. Indicate length 2.5 m when ordering.
26	113 040 028	1	
27	100 332 004	7	Star washer M10
28	100 315 013	7	Nut M10
29	100 308 004	7	Set screw M10 x 20 mm
30	100 331 006	7	Flat washer M10
31	113 040 014	1	
32	100 306 014	14	Set screw M8 x 15 mm
33	100 331 005	28	Flat washer M8
34	100 315 012	14	Nut M8
35	113 040 031	1	
36	100 321 014	12	Posi-drive screw M6 x 12 mm
37	113 000 084	12	
38	113 040 027	2	
39	100 315 016	8	Nut M12
40	100 331 007	8	Flat washer M12

Kongskilde Industries A/S

Skælskørvej 64

DK - 4180 Sorø

Tel. +45 72 17 60 00

mail@kongskilde-industries.com

www.kongskilde-industries.com